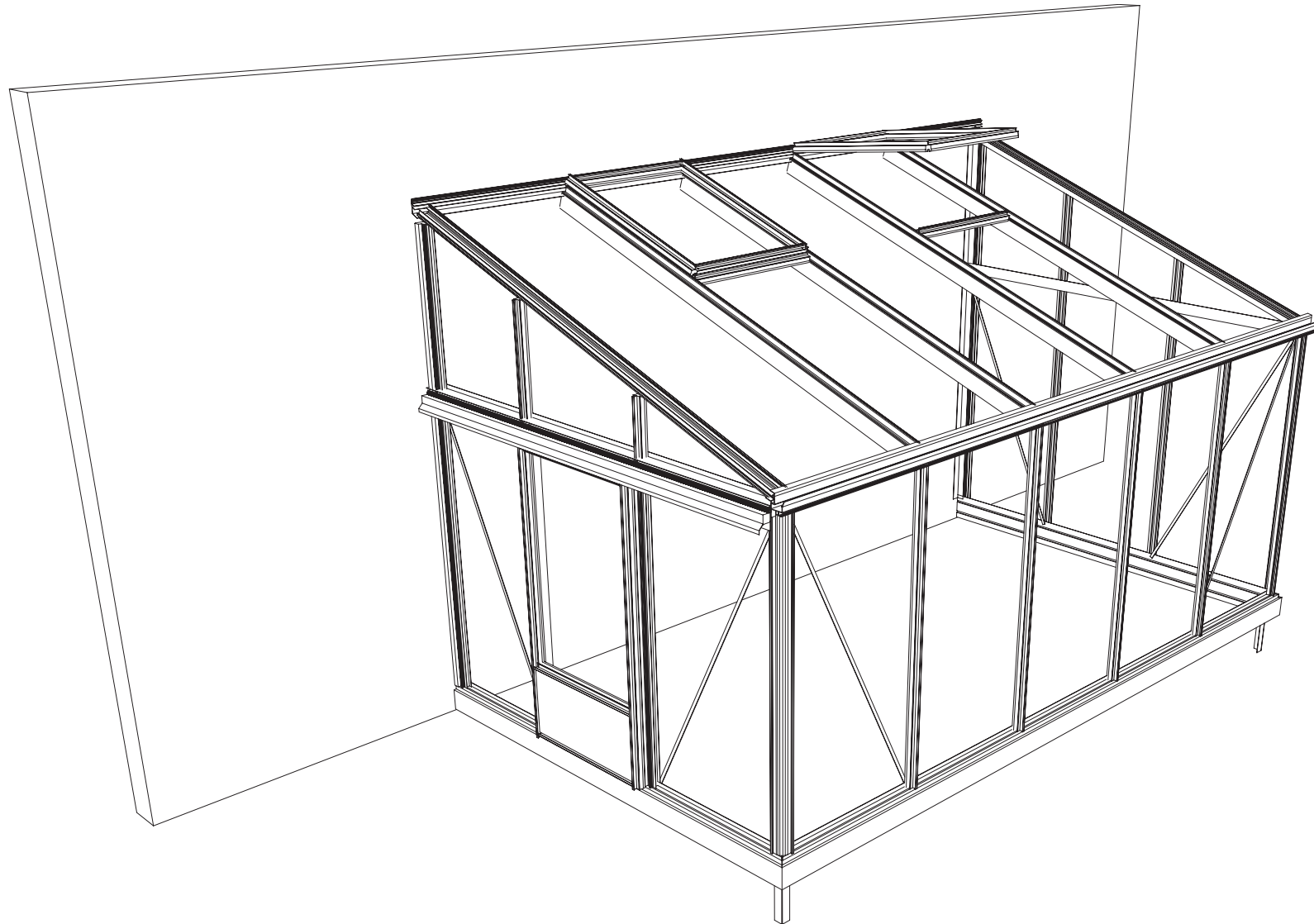
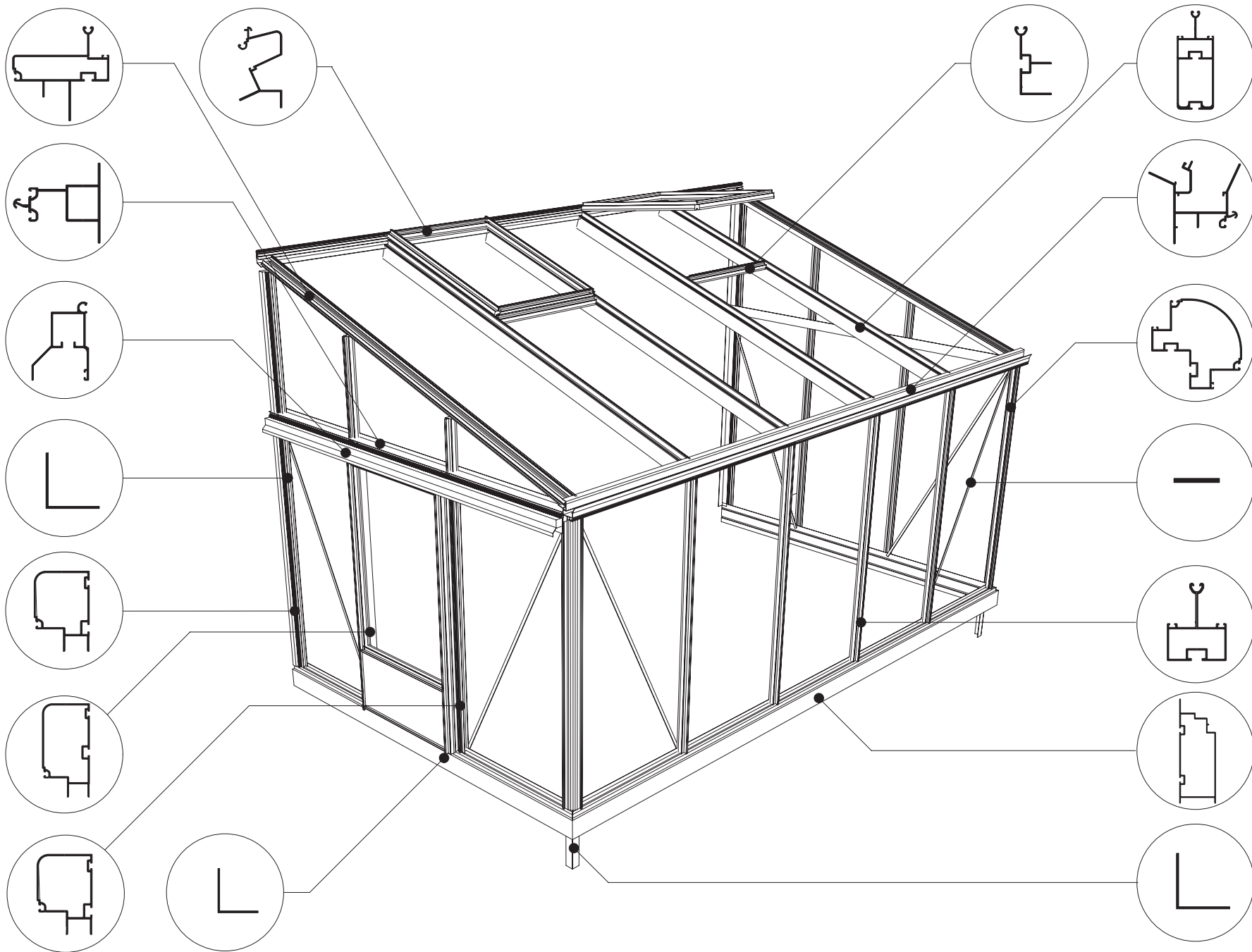


2,33m - 3,09m

MUURSERRE TROPIC



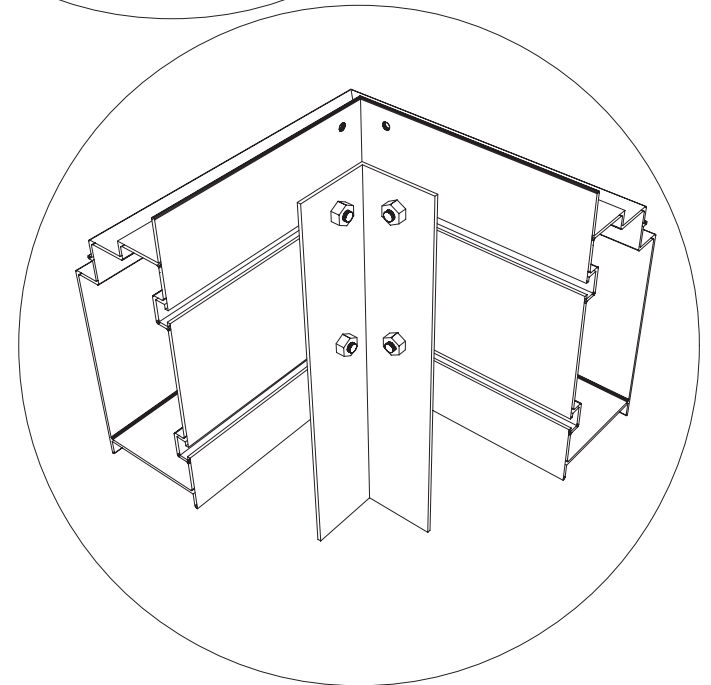
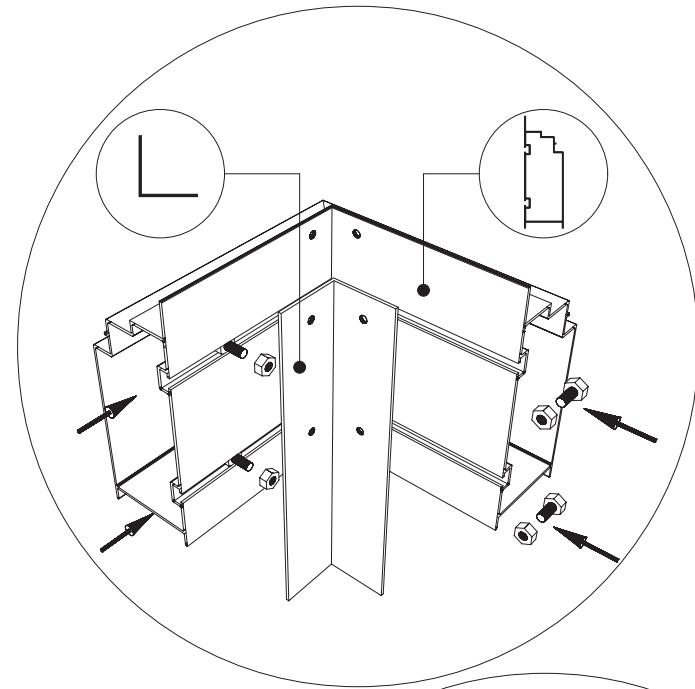
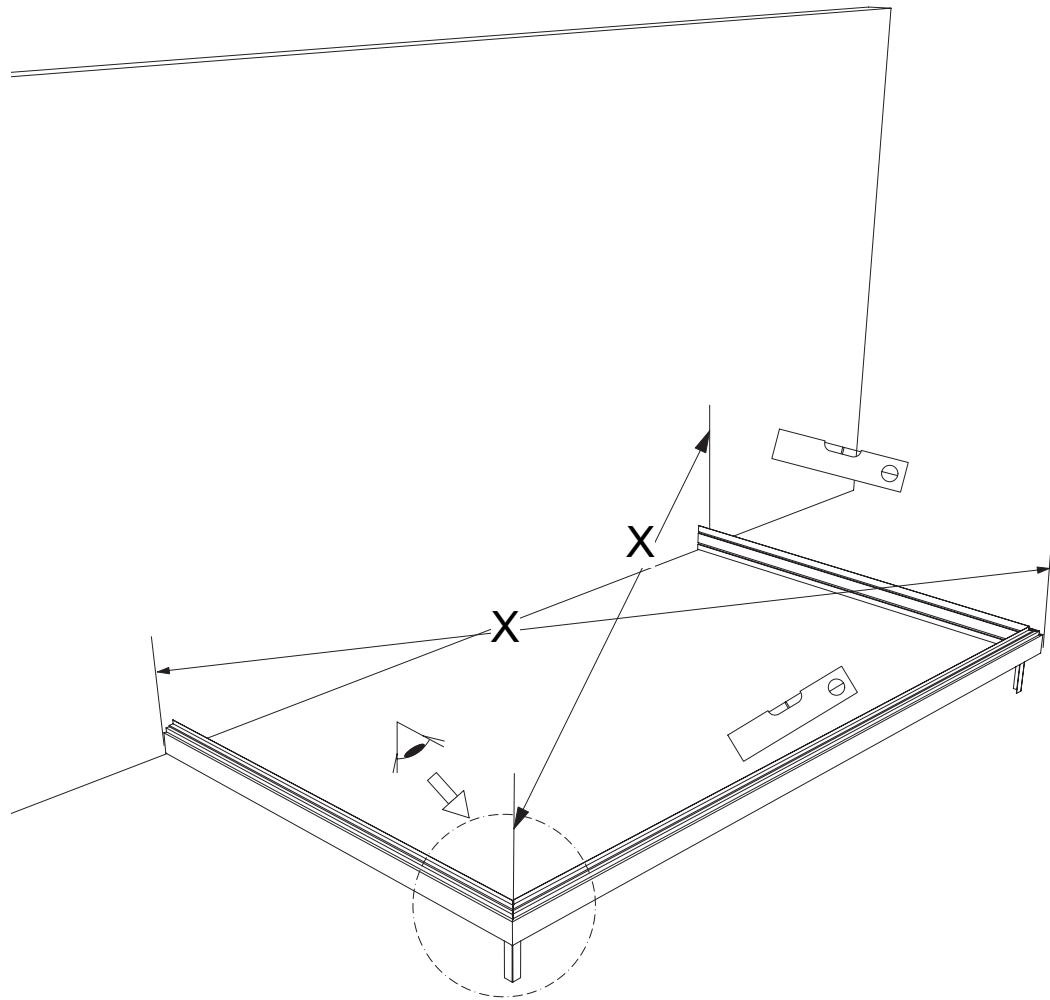


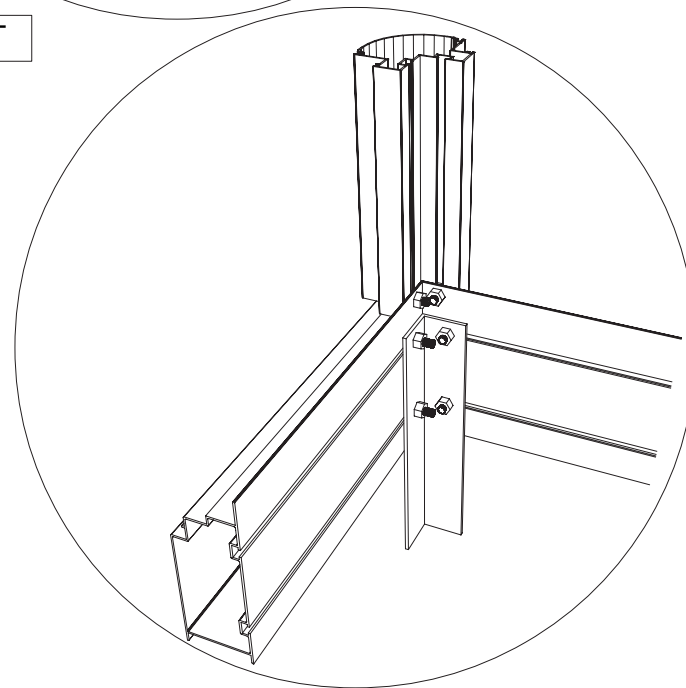
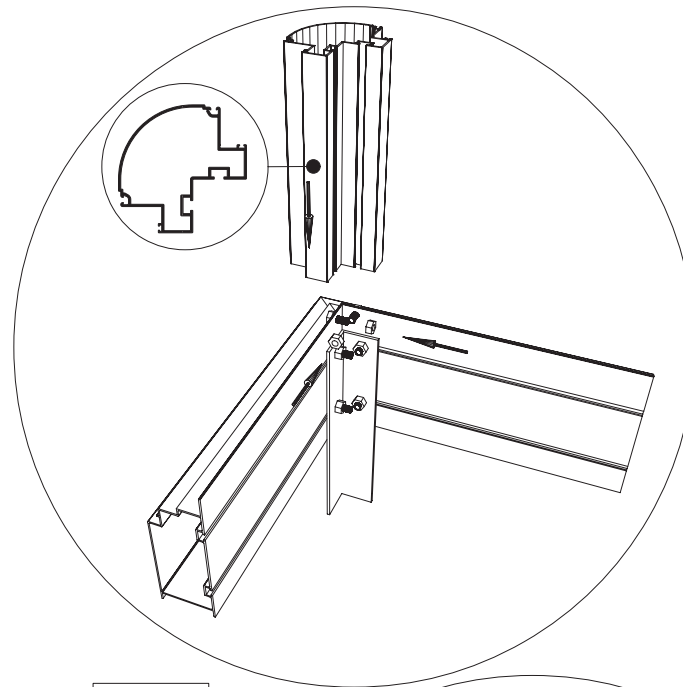
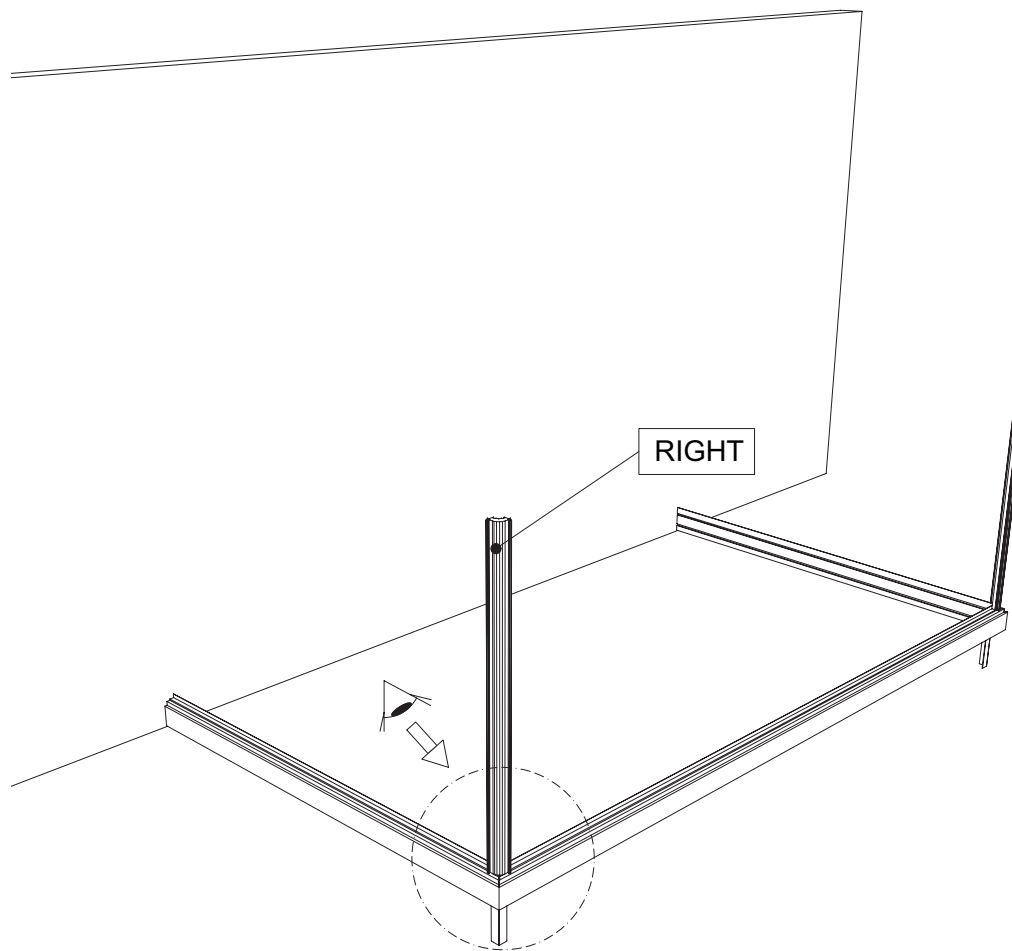
A	2,33 X	3108	4097	5087	6079	7067	8062	9046
1-1A		2 x 2330	2 x 2330	2 x 2330	2 x 2330	2 x 2330	2 x 2330	2 x 2330
		1 x 3108	1 x 4097	1 x 5087	1 x 6079	1 x 7067	1 x 8062	1 x 9046
2-2-11°		1 x 3108	1 x 4097	1 x 5087	1 x 6079	1 x 7067	1 x 8062	1 x 9046
3-11°		1 x 3108	1 x 4097	1 x 5087	1 x 6079	1 x 7067	1 x 8062	1 x 9046
④		2 x 2241	2 x 2241	2 x 2241	2 x 2241	2 x 2241	2 x 2241	2 x 2241
⑤		2 x 1633	2 x 1633	2 x 1633	2 x 1633	2 x 1633	2 x 1633	2 x 1633
⑥		2 x 2145	2 x 2145	2 x 2145	2 x 2145	2 x 2145	2 x 2145	2 x 2145
		2 x 2595	2 x 2595	2 x 2595	2 x 2595	2 x 2595	2 x 2595	2 x 2595
		1 x 1633	1 x 1633	1 x 1633	1 x 1633	1 x 1633	1 x 1633	1 x 1633
		1 x 1633	1 x 1633	1 x 1633	1 x 1633	1 x 1633	1 x 1633	1 x 1633
⑦		2 x 2304	2 x 2304	2 x 2304	2 x 2304	2 x 2304	2 x 2304	2 x 2304
		2 x 2437	2 x 2437	2 x 2437	2 x 2437	2 x 2437	2 x 2437	2 x 2437
⑧		1 x 2233	1 x 2233	1 x 2233	1 x 2233	1 x 2233	1 x 2233	1 x 2233
⑨		1 x 2233	1 x 2233	1 x 2233	1 x 2233	1 x 2233	1 x 2233	1 x 2233
⑩		1 x 320-165	1 x 320-165	1 x 320-165	1 x 320-165	1 x 320-165	1 x 320-165	1 x 320-165
		2 x 620/319	2 x 620/319	2 x 620/319	2 x 620/319	2 x 620/319	2 x 620/319	2 x 620/319
		4 x 1633	5 x 1633	6 x 1633	7 x 1633	8 x 1633	9 x 1633	10 x 1633
⑫		4 x 1796	4 x 1796	4 x 1796	4 x 1796	4 x 1796	4 x 1796	4 x 1796
		2 x 1914	2 x 1914	2 x 1914	2 x 1914	2 x 1914	2 x 1914	2 x 1914
⑬		1 x 1730	1 x 1730	1 x 1730	2 x 1730	2 x 1730	2 x 1730	2 x 1730
⑭		1 x	1 x	1 x	1 x	1 x	1 x	1 x
R2-R1		15/42 l/m	20/50 l/m	25/52 l/m	30/56 l/m	34/60 l/m	39/66 l/m	43/70 l/m
		16/43 l/m	21/52 l/m	26/54 l/m	31/58 l/m	35/63 l/m	40/67 l/m	44/72 l/m
R6		13 l/m	14 l/m	15 l/m	16 l/m	17 l/m	18 l/m	19 l/m
⑮		1 x	1 x	1 x	1 x	1 x	1 x	1 x
⑰		2 x 500	2 x 500	2 x 500	2 x 500	2 x 500	2 x 500	2 x 500
		2 x 2245	2 x 2245	2 x 2245	2 x 2245	2 x 2245	2 x 2245	2 x 2245
		2 x 2795	2 x 2795	2 x 2795	2 x 2795	2 x 2795	2 x 2795	2 x 2795
⑱		1 x 1025	2 x 1025	3 x 1025	3 x 1025	4 x 1025	4 x 1025	5 x 1025
⑲		2 x 807	4 x 807	6 x 807	6 x 807	8 x 807	8 x 807	10 x 807
⑳		1 x 990	2 x 990	3 x 990	3 x 990	4 x 990	4 x 990	5 x 990
㉑		1 x 950	2 x 950	3 x 950	3 x 950	4 x 950	4 x 950	5 x 950
㉒		1 x	2 x	3 x	3 x	4 x	4 x	5 x
R7		1 x 990	2 x 990	3 x 990	3 x 990	4 x 990	4 x 990	5 x 990
㉔		2 x 2304	3 x 2304	4 x 2304	5 x 2304	6 x 2304	7 x 2304	8 x 2304
		2 x 2437	3 x 2437	4 x 2437	5 x 2437	6 x 2437	7 x 2437	8 x 2437
57T		2 x 740	2 x 740	2 x 740	2 x 740	2 x 740	2 x 740	2 x 740
		9 x 725	9 x 725	9 x 725	9 x 725	9 x 725	9 x 725	9 x 725
		1 x 550	1 x 550	1 x 550	1 x 550	1 x 550	1 x 550	1 x 550
		7 x 975	10 x 975	12 x 975	15 x 975	17 x 975	20 x 975	22 x 975

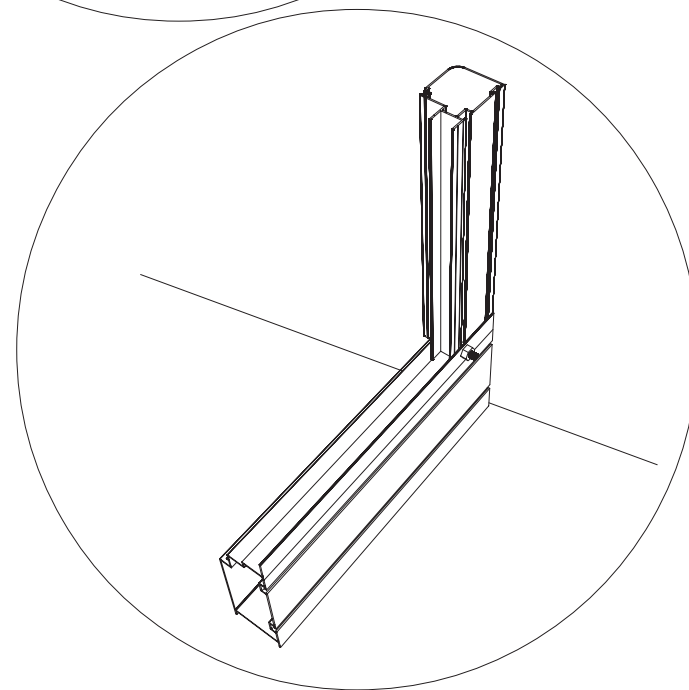
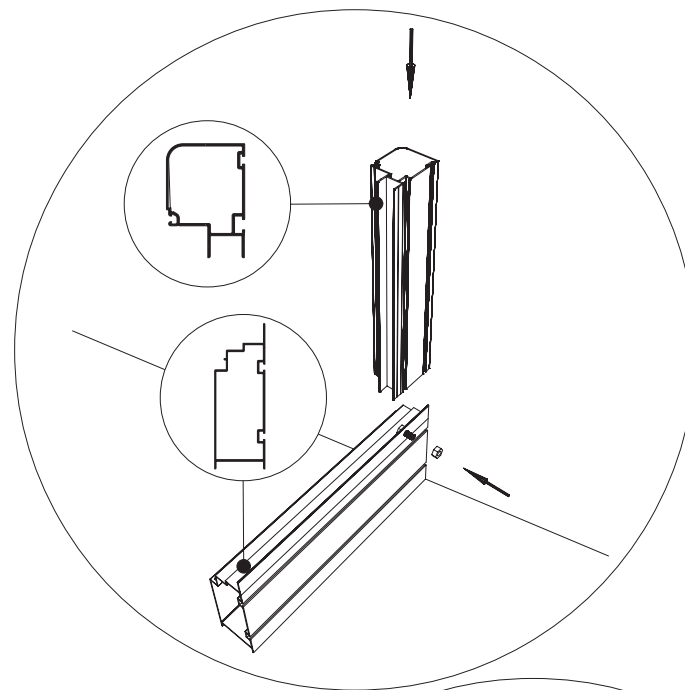
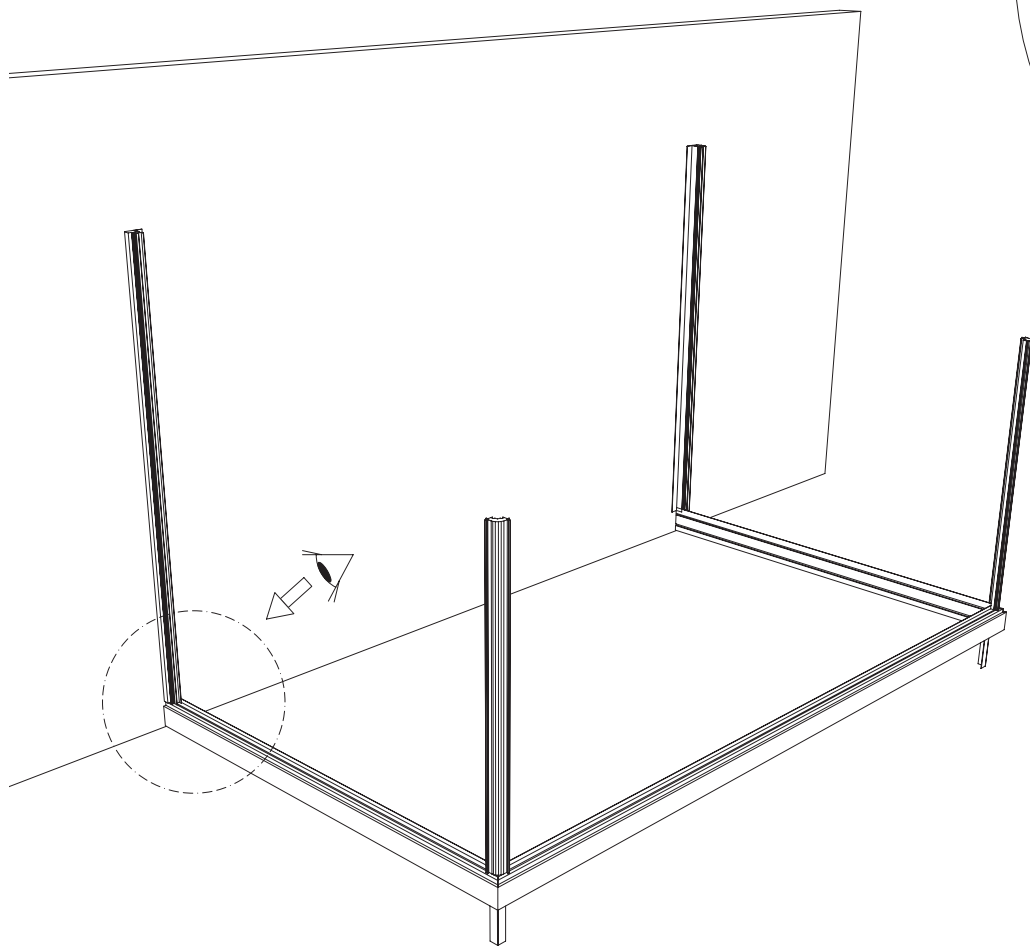
B	2,33 X	3108	4097	5087	6079	7067	8062	9046
1-1A		2 x 2330	2 x 2330	2 x 2330	2 x 2330	2 x 2330	2 x 2330	2 x 2330
		1 x 3108	1 x 4097	1 x 5087	1 x 6079	1 x 7067	1 x 8062	1 x 9046
2-2-11°	(11°) (25°)	1 x 3108	1 x 4097	1 x 5087	1 x 6079	1 x 7067	1 x 8062	1 x 9046
3-11°	(11°) (25°)	1 x 3108	1 x 4097	1 x 5087	1 x 6079	1 x 7067	1 x 8062	1 x 9046
④		2 x 2241	2 x 2241	2 x 2241	2 x 2241	2 x 2241	2 x 2241	2 x 2241
⑤		2 x 1833	2 x 1833	2 x 1833	2 x 1833	2 x 1833	2 x 1833	2 x 1833
⑥	(11°)	2 x 2345	2 x 2345	2 x 2345	2 x 2345	2 x 2345	2 x 2345	2 x 2345
	(25°)	2 x 2595	2 x 2595	2 x 2595	2 x 2595	2 x 2595	2 x 2595	2 x 2595
		1 x 1833	1 x 1833	1 x 1833	1 x 1833	1 x 1833	1 x 1833	1 x 1833
		1 x 1833	1 x 1833	1 x 1833	1 x 1833	1 x 1833	1 x 1833	1 x 1833
⑦	(11°)	2 x 2304	2 x 2304	2 x 2304	2 x 2304	2 x 2304	2 x 2304	2 x 2304
	(25°)	2 x 2437	2 x 2437	2 x 2437	2 x 2437	2 x 2437	2 x 2437	2 x 2437
⑧		1 x 2233	1 x 2233	1 x 2233	1 x 2233	1 x 2233	1 x 2233	1 x 2233
⑨		1 x 2233	1 x 2233	1 x 2233	1 x 2233	1 x 2233	1 x 2233	1 x 2233
⑩	(11°)	2 x 320/165	2 x 320/165	2 x 320/165	2 x 320/165	2 x 320/165	2 x 320/165	2 x 320/165
	(25°)	2 x 620/319	2 x 620/319	2 x 620/319	2 x 620/319	2 x 620/319	2 x 620/319	2 x 620/319
		4 x 1833	5 x 1833	6 x 1833	7 x 1833	8 x 1833	9 x 1833	10 x 1833
⑫		4 x 1984	4 x 1984	4 x 1984	4 x 1984	4 x 1984	4 x 1984	4 x 1984
		2 x 2087	2 x 2087	2 x 2087	2 x 2087	2 x 2087	2 x 2087	2 x 2087
⑬		1 x 1930	1 x 1930	1 x 1930	2 x 1930	2 x 1930	2 x 1930	2 x 1930
⑭		1 x	1 x	1 x	1 x	1 x	1 x	1 x
R2-R1	(11°) (25°)	15/52 l/m	20/58 l/m	25/57 l/m	28/63 l/m	33/68 l/m	35/70 l/m	37/75 l/m
	(25°)	15/54 l/m	20/58 l/m	25/58 l/m	29/64 l/m	34/69 l/m	40/71 l/m	46/76 l/m
R6		13 l/m	14 l/m	15 l/m	16 l/m	17 l/m	18 l/m	19 l/m
⑯		1 x	1 x	1 x	1 x	1 x	1 x	1 x
⑰		2 x 500	2 x 500	2 x 500	2 x 500	2 x 500	2 x 500	2 x 500
	(11°)	2 x 2445	2 x 2445	2 x 2445	2 x 2445	2 x 2445	2 x 2445	2 x 2445
	(25°)	2 x 2795	2 x 2795	2 x 2795	2 x 2795	2 x 2795	2 x 2795	2 x 2795
⑱		1 x 1025	2 x 1025	2 x 1025	3 x 1025	4 x 1025	4 x 1025	5 x 1025
⑲		2 x 807	4 x 807	4 x 807	6 x 807	8 x 807	8 x 807	10 x 807
⑳		1 x 990	2 x 990	2 x 990	3 x 990	4 x 990	4 x 990	5 x 990
㉑		1 x 950	2 x 950	2 x 950	3 x 950	4 x 950	4 x 950	5 x 950
㉒		1 x	2 x	2 x	3 x	4 x	4 x	5 x
R7		1 x 990	2 x 990	2 x 990	3 x 990	4 x 990	4 x 990	5 x 990
㉔	(11°)	2 x 2304	3 x 2304	4 x 2304	5 x 2304	6 x 2304	7 x 2304	8 x 2304
	(25°)	2 x 2437	3 x 2437	4 x 2437	5 x 2437	6 x 2437	7 x 2437	8 x 2437
57T		2 x 740	2 x 740	2 x 740	2 x 740	2 x 740	2 x 740	2 x 740
		9 x 725	9 x 725	9 x 725	9 x 725	9 x 725	9 x 725	9 x 725
		1 x 550	1 x 550	1 x 550	1 x 550	1 x 550	1 x 550	1 x 550
		7 x 975	10 x 975	12 x 975	15 x 975	17 x 975	20 x 975	22 x 975

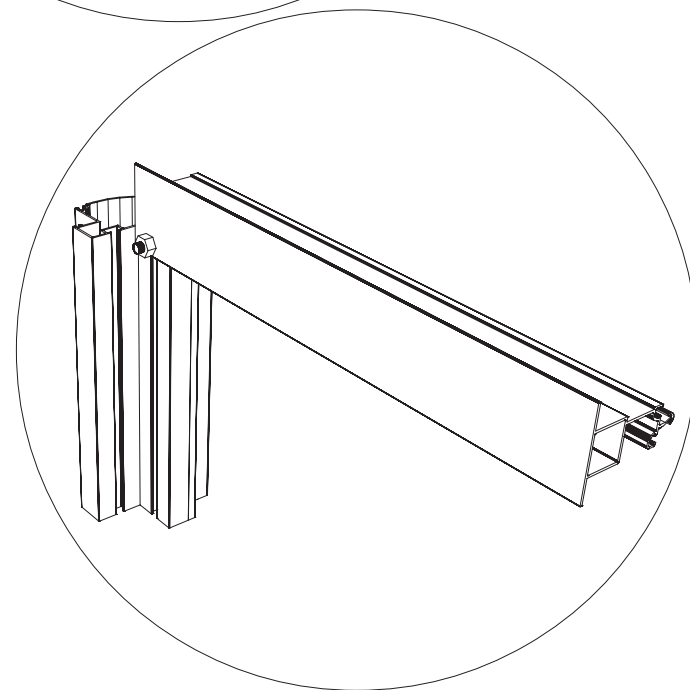
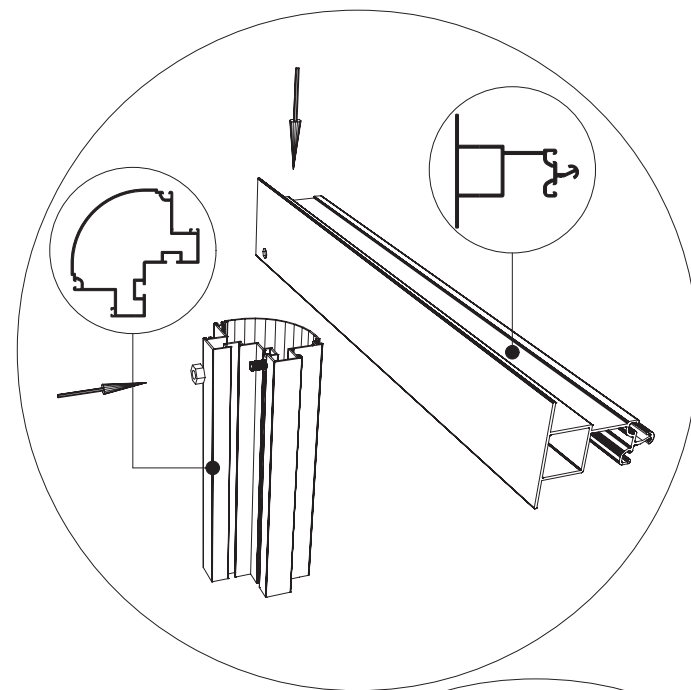
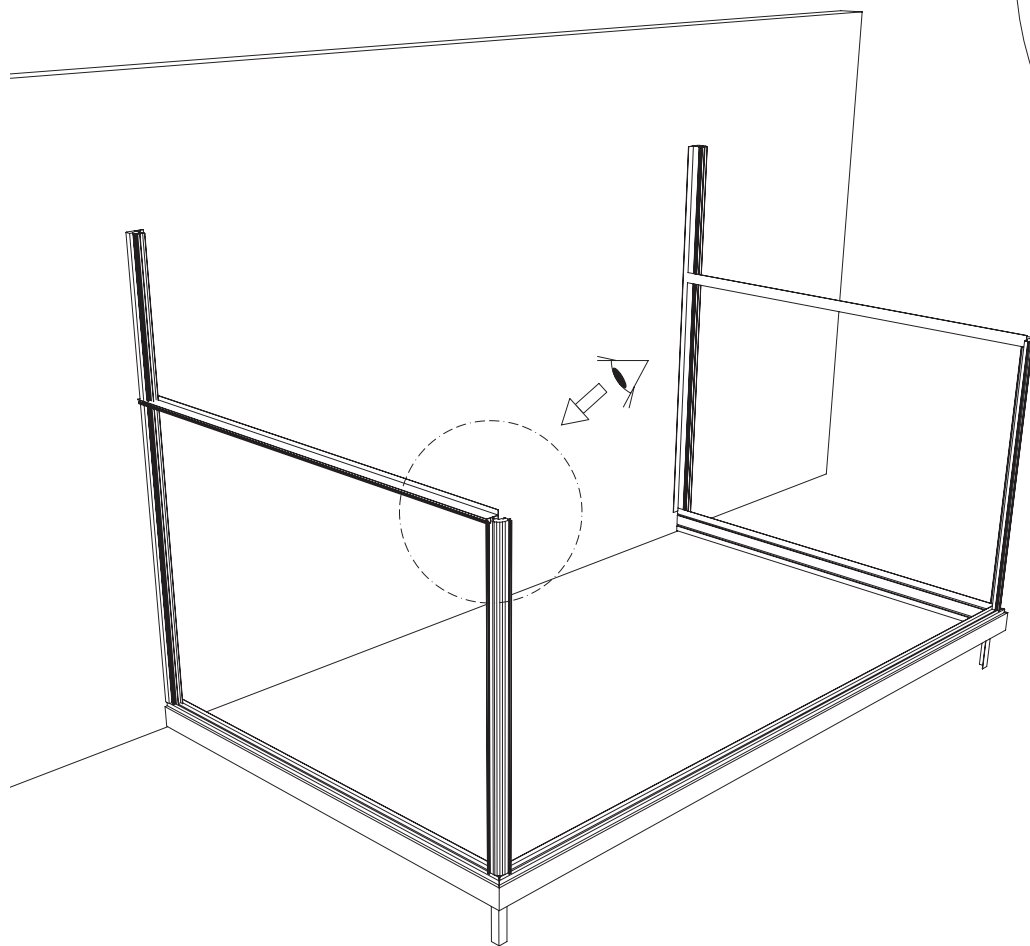
A	3,09 X	3108	4097	5087	6079	7067	8057	9046
1-1A		2 x 3090	2 x 3090	2 x 3090	2 x 3090	2 x 3090	2 x 3090	2 x 3090
		1 x 3108	1 x 4097	1 x 5087	1 x 6079	1 x 7067	1 x 8057	1 x 9050
2-2-11°	(11°) (25°)	1 x 3108	1 x 4097	1 x 5087	1 x 6079	1 x 7067	1 x 8057	1 x 9050
3-11°	(11°) (25°)	1 x 3108	1 x 4097	1 x 5087	1 x 6079	1 x 7067	1 x 8057	1 x 9050
④		2 x 2997	2 x 2997	2 x 2997	2 x 2997	2 x 2997	2 x 2997	2 x 2997
⑤		2 x 1633	2 x 1633	2 x 1633	2 x 1633	2 x 1633	2 x 1633	2 x 1633
⑥	(11°)	2 x 2220	2 x 2220	2 x 2220	2 x 2220	2 x 2220	2 x 2220	2 x 2220
	(25°)	2 x 3014	2 x 3014	2 x 3014	2 x 3014	2 x 3014	2 x 3014	2 x 3014
		1 x 1633	1 x 1633	1 x 1633	1 x 1633	1 x 1633	1 x 1633	1 x 1633
		1 x 1633	1 x 1633	1 x 1633	1 x 1633	1 x 1633	1 x 1633	1 x 1633
⑦	(11°)	2 x 3060	2 x 3060	2 x 3060	2 x 3060	2 x 3060	2 x 3060	2 x 3060
	(25°)	2 x 3300	2 x 3300	2 x 3300	2 x 3300	2 x 3300	2 x 3300	2 x 3300
⑧		1 x 2980	1 x 2980	1 x 2980	1 x 2980	1 x 2980	1 x 2980	1 x 2980
⑨		1 x 2980	1 x 2980	1 x 2980	1 x 2980	1 x 2980	1 x 2980	1 x 2980
⑩	(11°)	2 x 370-190	2 x 370-190	2 x 370-190	2 x 370-190	2 x 370-190	2 x 370-190	2 x 370-190
	(25°)	2 x 895/455	2 x 895/455	2 x 895/455	2 x 895/455	2 x 895/455	2 x 895/455	2 x 895/455
		4 x 1633	5 x 1633	6 x 1633	7 x 1633	8 x 1633	9 x 1633	10 x 1633
⑫		4 x 1914	4 x 1914	4 x 1914	4 x 1914	4 x 1914	4 x 1914	4 x 1914
		2 x 1914	2 x 1914	2 x 1914	2 x 1914	2 x 1914	2 x 1914	2 x 1914
⑬		1 x 1730	1 x 1730	1 x 1730	2 x 1730	2 x 1730	2 x 1730	2 x 1730
⑭		1 x	1 x	1 x	1 x	1 x	1 x	1 x
R2-R1	(11°)	18/50 l/m	23/54 l/m	28/60 l/m	35/62 l/m	40/68 l/m	45/70 l/m	50/75 l/m
	(25°)	20/70 l/m	28/72 l/m	30/74 l/m	35/75 l/m	37/77 l/m	40/80 l/m	44/84 l/m
R6		15 l/m	16 l/m	17 l/m	18 l/m	19 l/m	20 l/m	21 l/m
⑯		1 x	1 x	1 x	1 x	1 x	1 x	1 x
⑰		2 x 500	2 x 500	2 x 500	2 x 500	2 x 500	2 x 500	2 x 500
	(11°)	2 x 2320	2 x 2320	2 x 2320	2 x 2320	2 x 2320	2 x 2320	2 x 2320
	(25°)	2 x 3114	2 x 3114	2 x 3114	2 x 3114	2 x 3114	2 x 3114	2 x 3114
⑱		2 x 1025	2 x 1025	3 x 1025	3 x 1025	4 x 1025	4 x 1025	5 x 1025
⑲		4 x 807	4 x 807	6 x 807	6 x 807	8 x 807	8 x 807	10 x 807
⑳		2 x 990	2 x 990	3 x 990	3 x 990	4 x 990	4 x 990	5 x 990
㉑		2 x 950	2 x 950	3 x 950	3 x 950	4 x 950	4 x 950	5 x 950
㉒		2 x	2 x	3 x	3 x	4 x	4 x	5 x
R7		2 x 990	2 x 990	3 x 990	3 x 990	4 x 990	4 x 990	5 x 990
㉔	(11°)	2 x 3060	3 x 3060	4 x 3060	5 x 3060	6 x 3060	7 x 3060	8 x 3060
	(25°)	2 x 3300	3 x 3300	4 x 3300	5 x 3300	6 x 3300	7 x 3300	8 x 3300
57T		2 x 995	2 x 995	2 x 995	2 x 995	2 x 995	2 x 995	2 x 995
		1 x 840	1 x 840	1 x 840	1 x 840	1 x 840	1 x 840	1 x 840
		1 x 550	1 x 950	1 x 950	1 x 950	1 x 950	1 x 950	1 x 950
		16 x 975	18 x 975	21 x 975	23 x 975	26 x 975	28 x 975	31 x 975

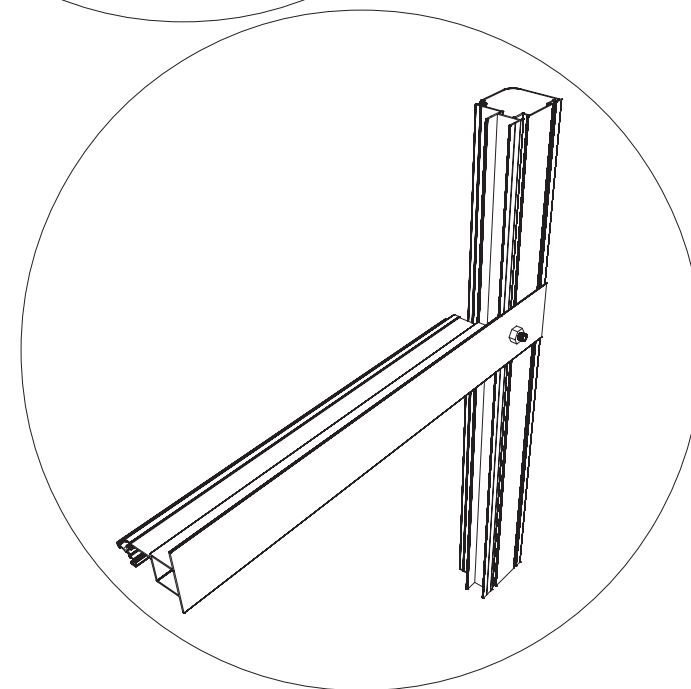
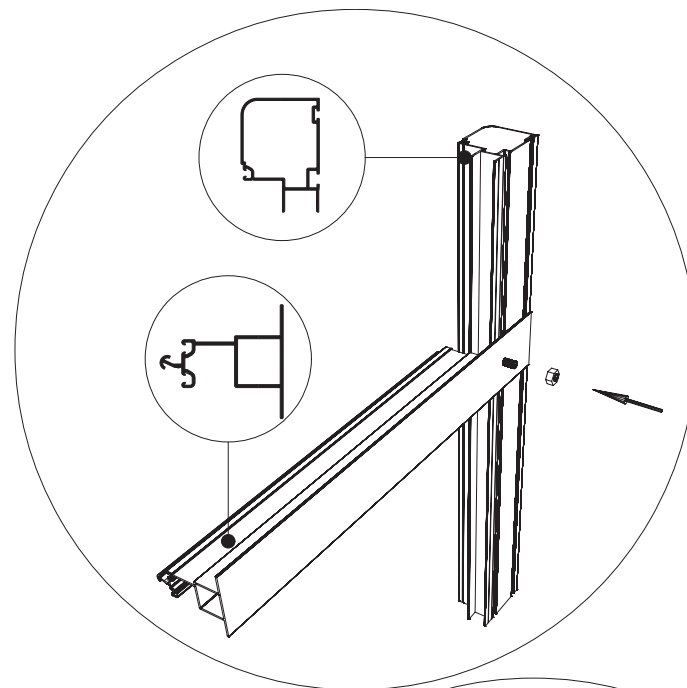
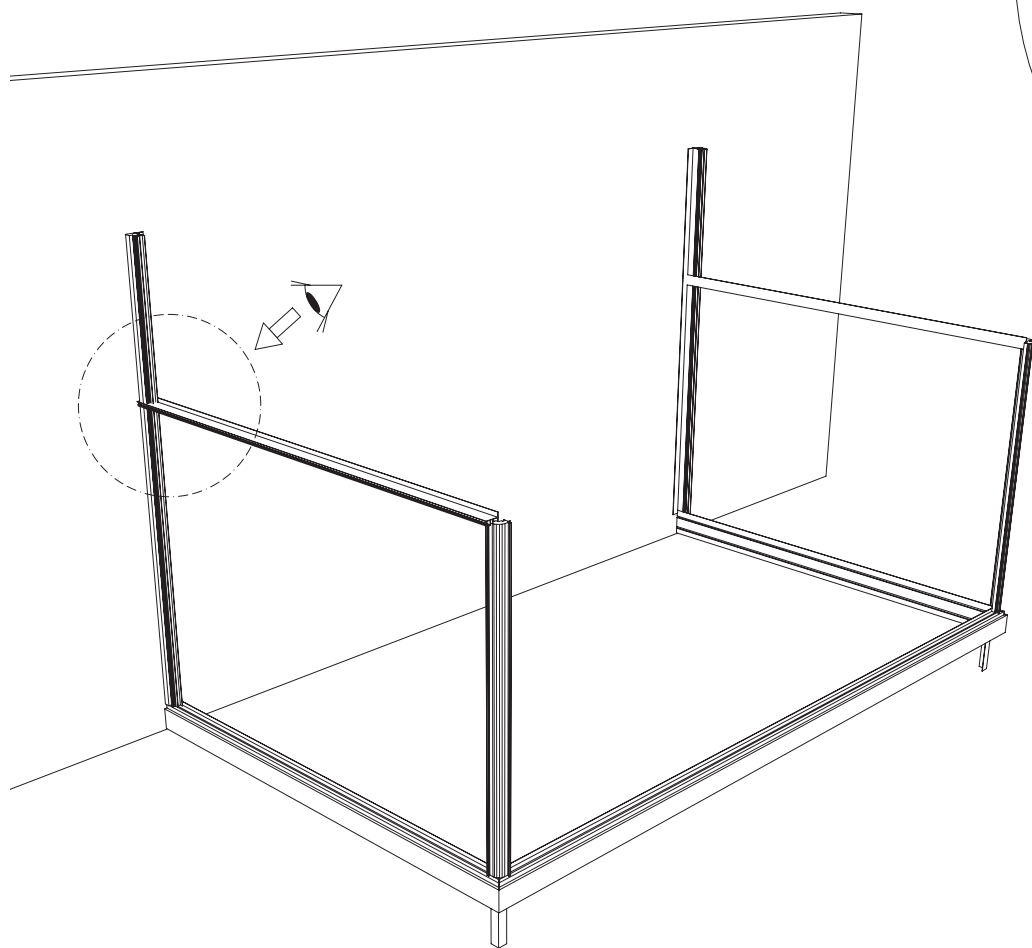
B	3,09 X	3108	4097	5087	6079	7067	8062	9046
1-1A		2 x 3080	2 x 3080	2 x 3080	2 x 3080	2 x 3080	2 x 3080	2 x 3080
		1 x 3108	1 x 4097	1 x 5087	1 x 6079	1 x 7067	1 x 8062	1 x 9046
2-2-11°		1 x 3108	1 x 4097	1 x 5087	1 x 6079	1 x 7067	1 x 8062	1 x 9046
3-11°		1 x 3108	1 x 4097	1 x 5087	1 x 6079	1 x 7067	1 x 8062	1 x 9046
④		2 x 2997	2 x 2997	2 x 2997	2 x 2997	2 x 2997	2 x 2997	2 x 2997
⑤		2 x 1833	2 x 1833	2 x 1833	2 x 1833	2 x 1833	2 x 1833	2 x 1833
⑥		2 x 2420	2 x 2420	2 x 2420	2 x 2420	2 x 2420	2 x 2420	2 x 2420
		2 x 3214	2 x 3214	2 x 3214	2 x 3214	2 x 3214	2 x 3214	2 x 3214
		1 x 1833	1 x 1833	1 x 1833	1 x 1833	1 x 1833	1 x 1833	1 x 1833
		1 x 1833	1 x 1833	1 x 1833	1 x 1833	1 x 1833	1 x 1833	1 x 1833
⑦		2 x 3060	2 x 3060	2 x 3060	2 x 3060	2 x 3060	2 x 3060	2 x 3060
		2 x 3300	2 x 3300	2 x 3300	2 x 3300	2 x 3300	2 x 3300	2 x 3300
⑧		1 x 2980	1 x 2980	1 x 2980	1 x 2980	1 x 2980	1 x 2980	1 x 2980
⑨		1 x 2980	1 x 2980	1 x 2980	1 x 2980	1 x 2980	1 x 2980	1 x 2980
⑩		2 x 370-190	2 x 370-190	2 x 370-190	2 x 370-190	2 x 370-190	2 x 370-190	2 x 370-190
		2 x 895/455	2 x 895/455	2 x 895/455	2 x 895/455	2 x 895/455	2 x 895/455	2 x 895/455
		4 x 1833	5 x 1833	6 x 1833	7 x 1833	8 x 1833	9 x 1833	10 x 1833
⑫		4 x 2087	4 x 2087	4 x 2087	4 x 2087	4 x 2087	4 x 2087	4 x 2087
		2 x 2087	2 x 2087	2 x 2087	2 x 2087	2 x 2087	2 x 2087	2 x 2087
⑬		1 x 1930	1 x 1930	1 x 1930	2 x 1930	2 x 1930	2 x 1930	2 x 1930
⑭		1 x	1 x	1 x	1 x	1 x	1 x	1 x
R2-R1		17/68 l/m	21/70 l/m	26/75 l/m	31/77 l/m	36/83 l/m	41/85 l/m	46/90 l/m
		20/69 l/m	26/71 l/m	32/79 l/m	38/81 l/m	42/86 l/m	46/88 l/m	50/93 l/m
R6		15 l/m	16 l/m	17 l/m	18 l/m	19 l/m	20 l/m	21 l/m
⑯		1 x	1 x	1 x	1 x	1 x	1 x	1 x
⑰		2 x 500	2 x 500	2 x 500	2 x 500	2 x 500	2 x 500	2 x 500
		2 x 2520	2 x 2520	2 x 2520	2 x 2520	2 x 2520	2 x 2520	2 x 2520
		2 x 3314	2 x 3314	2 x 3314	2 x 3314	2 x 3314	2 x 3314	2 x 3314
⑱		2 x 1025	2 x 1025	3 x 1025	3 x 1025	4 x 1025	4 x 1025	5 x 1025
⑲		4 x 807	4 x 807	6 x 807	6 x 807	8 x 807	8 x 807	10 x 807
⑳		2 x 990	2 x 990	3 x 990	3 x 990	4 x 990	4 x 990	5 x 990
㉑		2 x 950	2 x 950	3 x 950	3 x 950	4 x 950	4 x 950	5 x 950
㉒		2 x	2 x	3 x	3 x	4 x	4 x	5 x
R7		2 x 990	2 x 990	3 x 990	3 x 990	4 x 990	4 x 990	5 x 990
㉔		2 x 3060	3 x 3060	4 x 3060	5 x 3060	6 x 3060	7 x 3060	8 x 3060
		2 x 3300	3 x 3300	4 x 3300	5 x 3300	6 x 3300	7 x 3300	8 x 3300
57T		2 x 995	2 x 995	2 x 995	2 x 995	2 x 995	2 x 995	2 x 995
		1 x 840	1 x 840	1 x 840	1 x 840	1 x 840	1 x 840	1 x 840
		1 x 550	1 x 950	1 x 950	1 x 950	1 x 950	1 x 950	1 x 950
		16 x 975	18 x 975	21 x 975	23 x 975	26 x 975	28 x 975	31 x 975

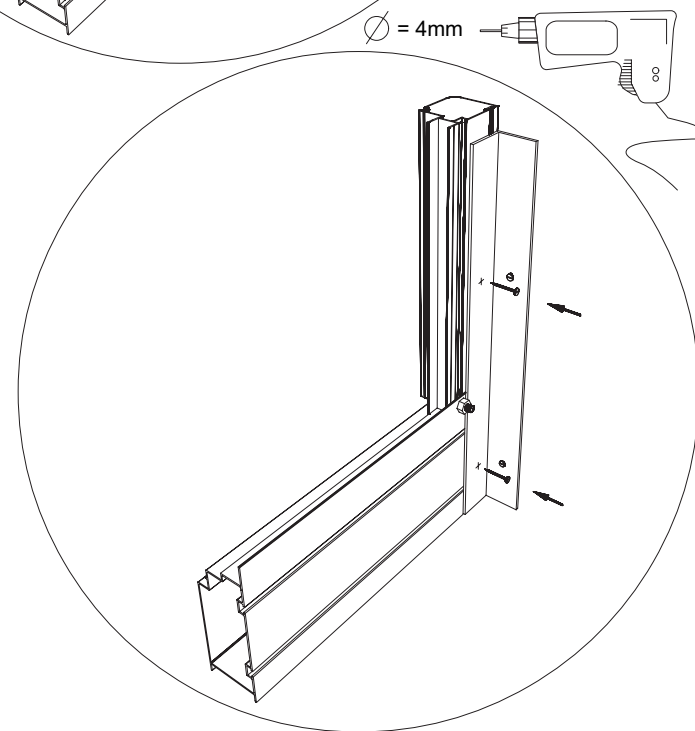
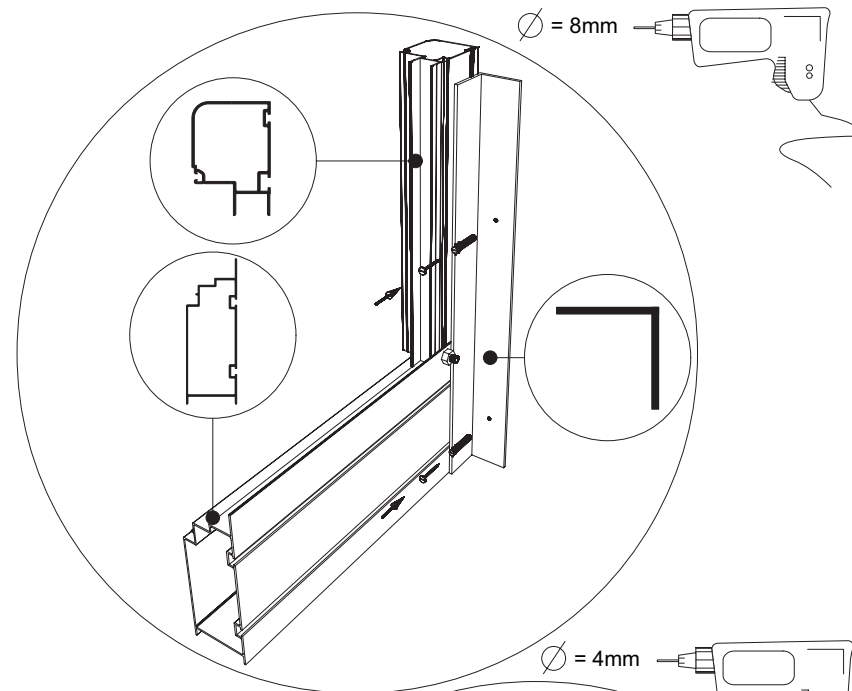
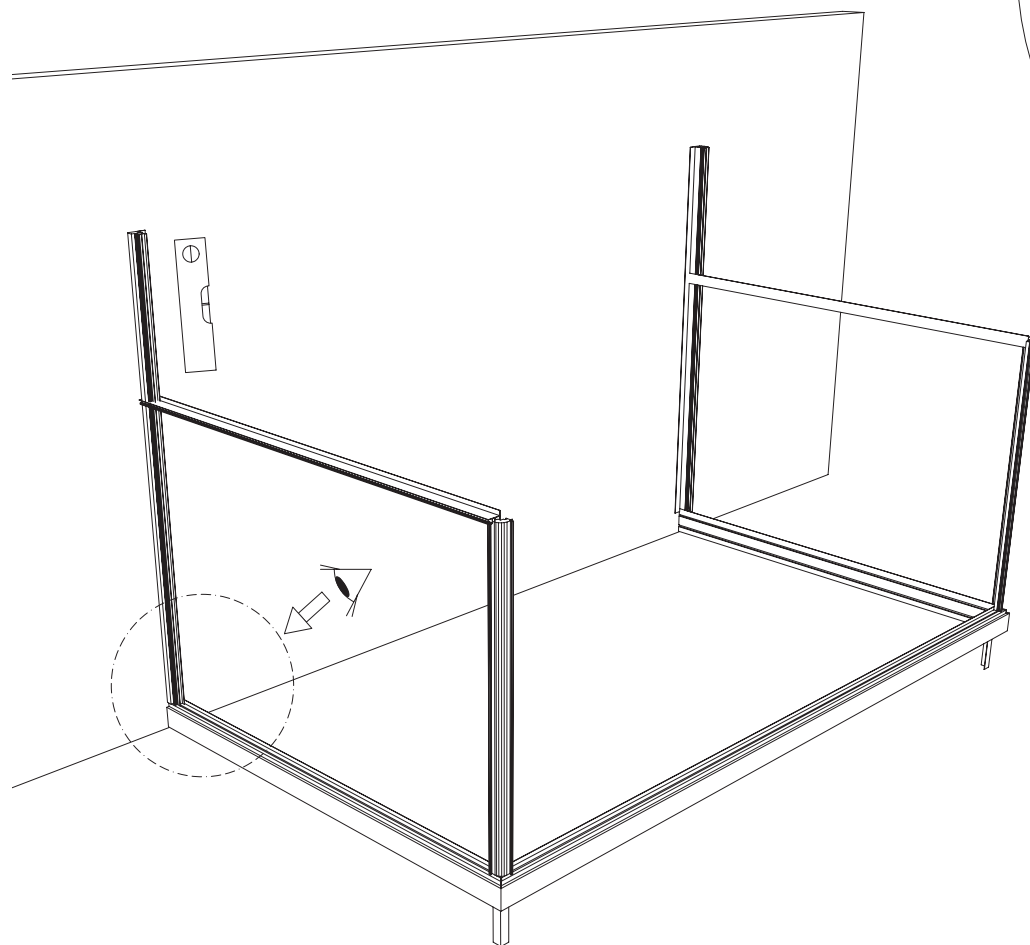


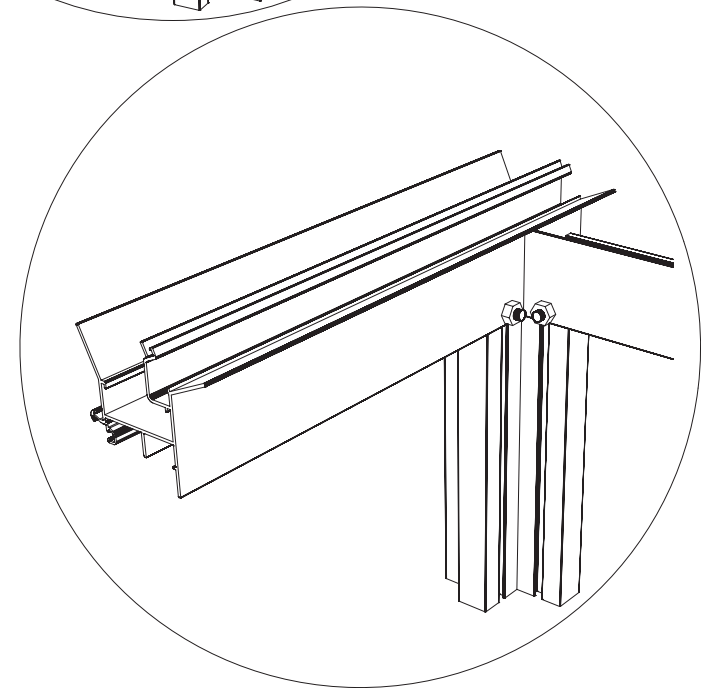
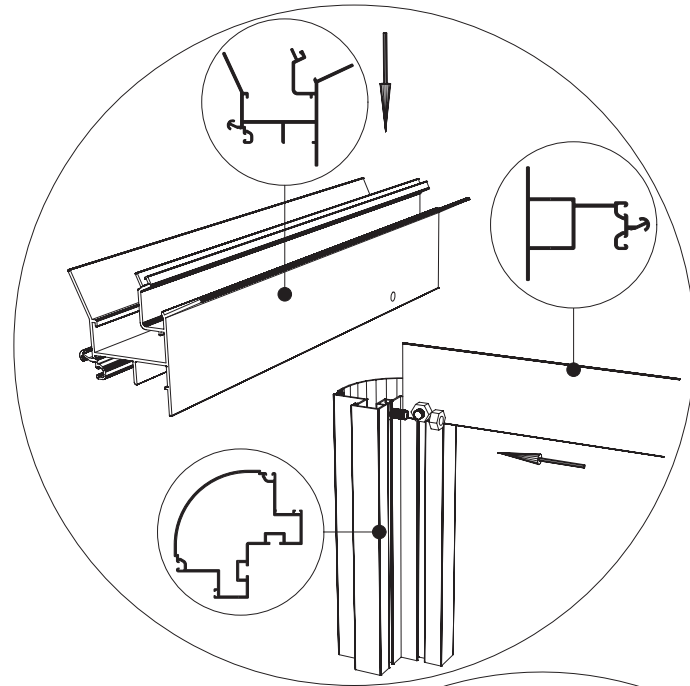
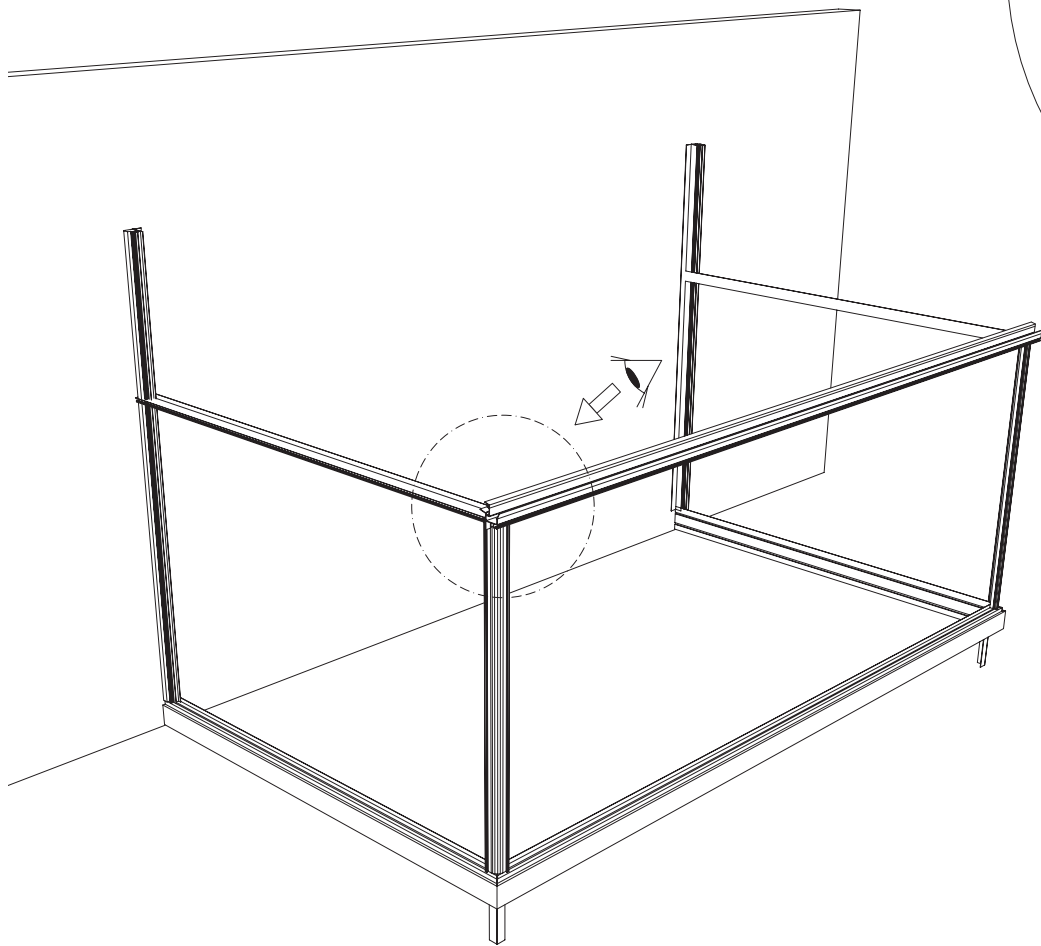


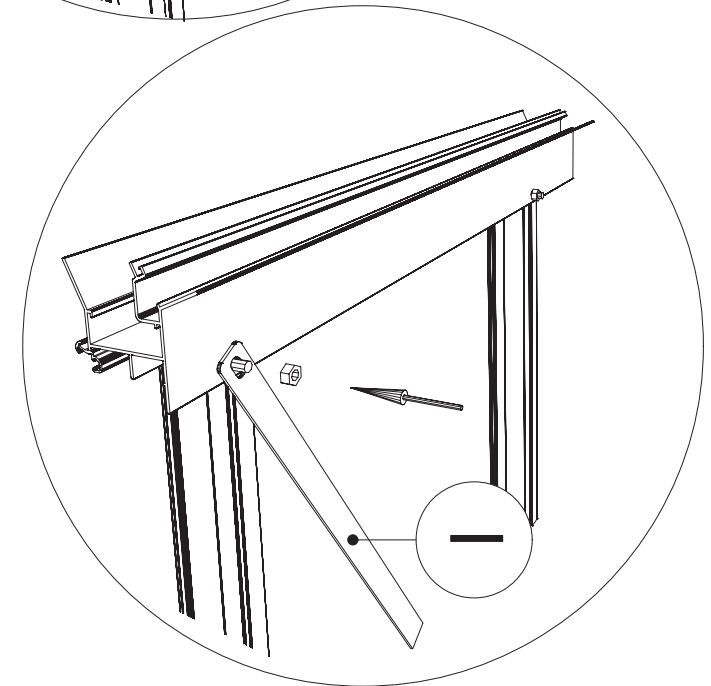
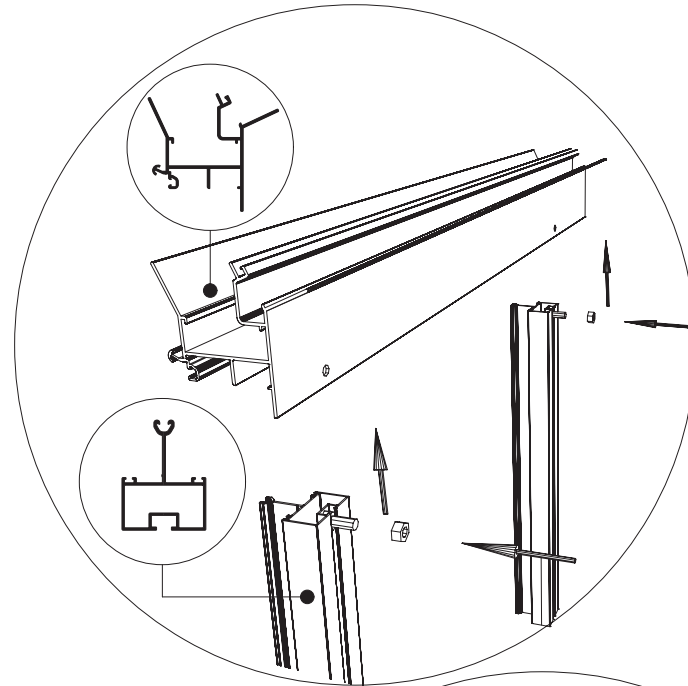
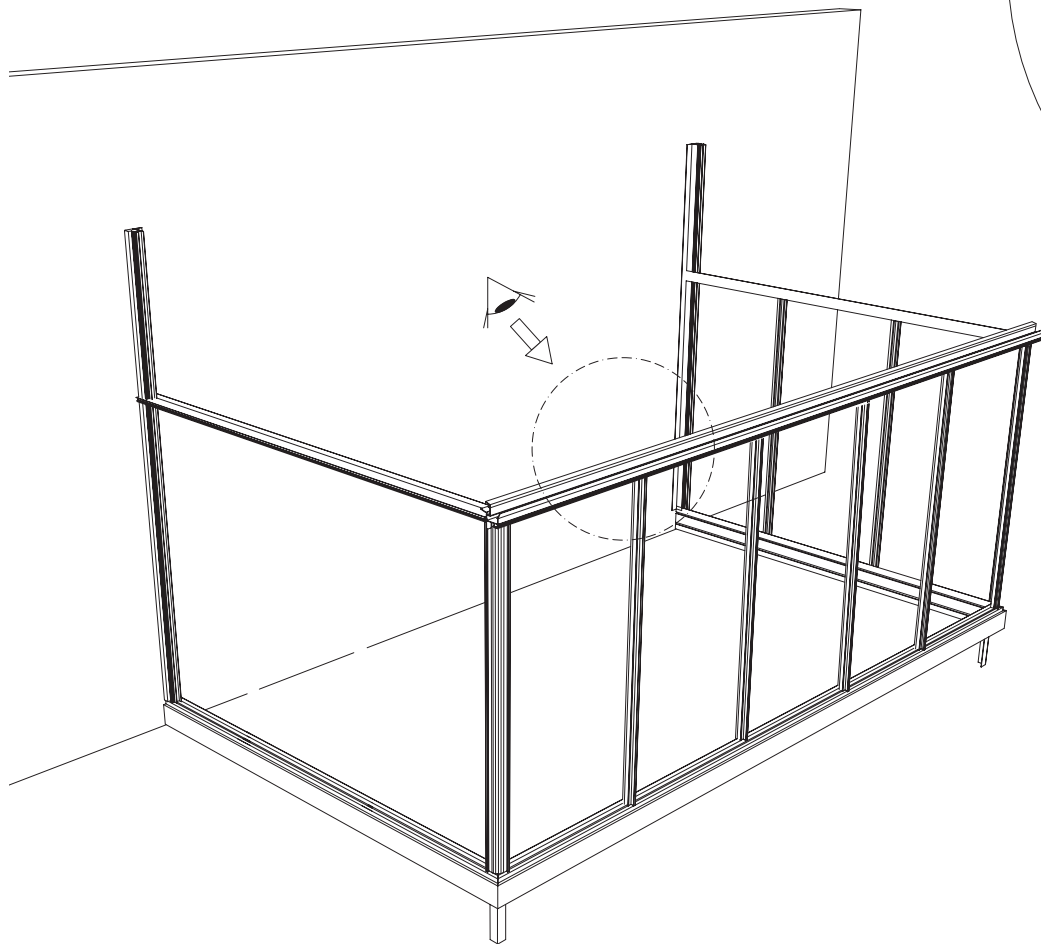


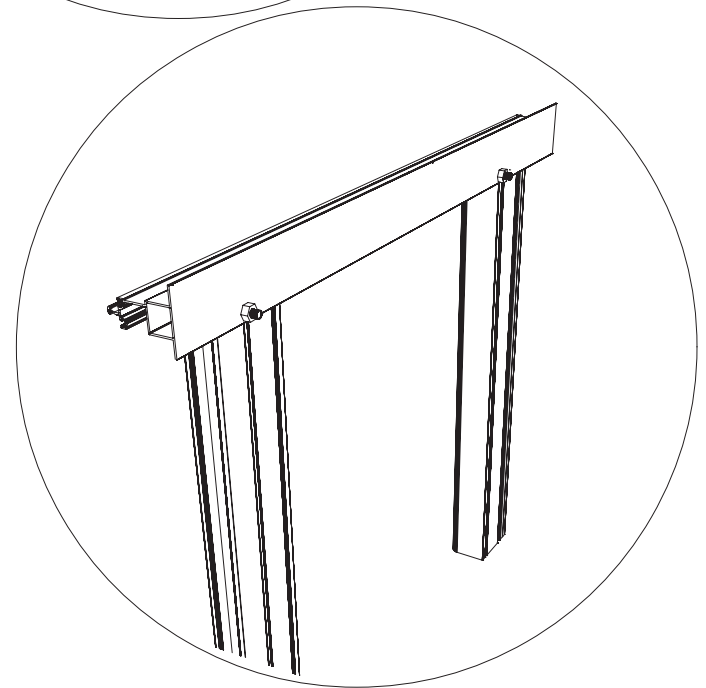
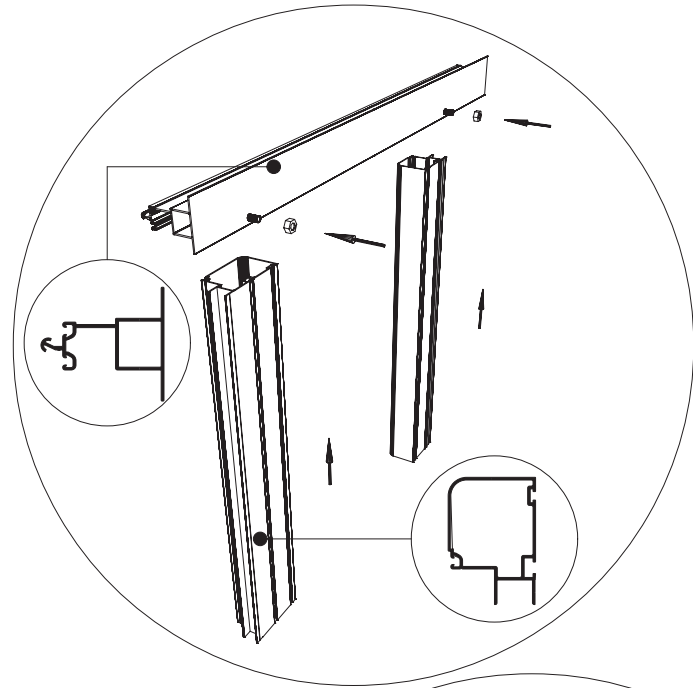
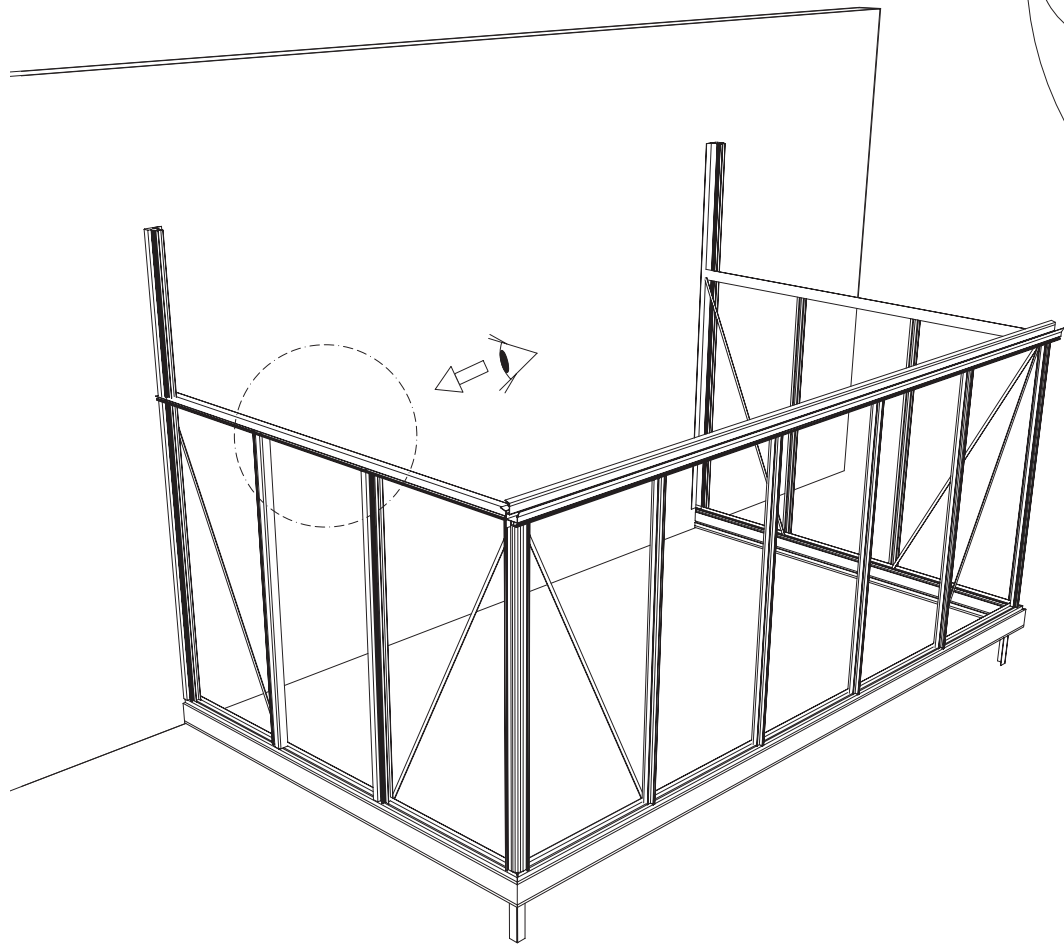


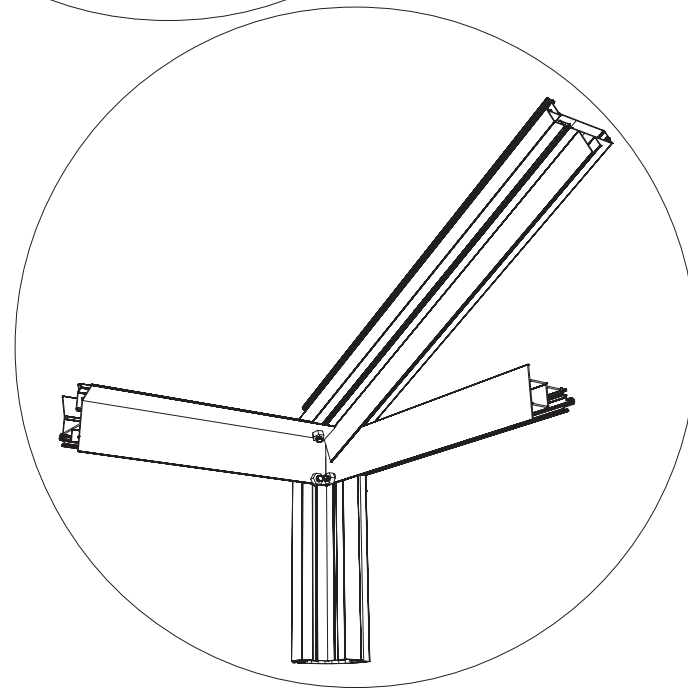
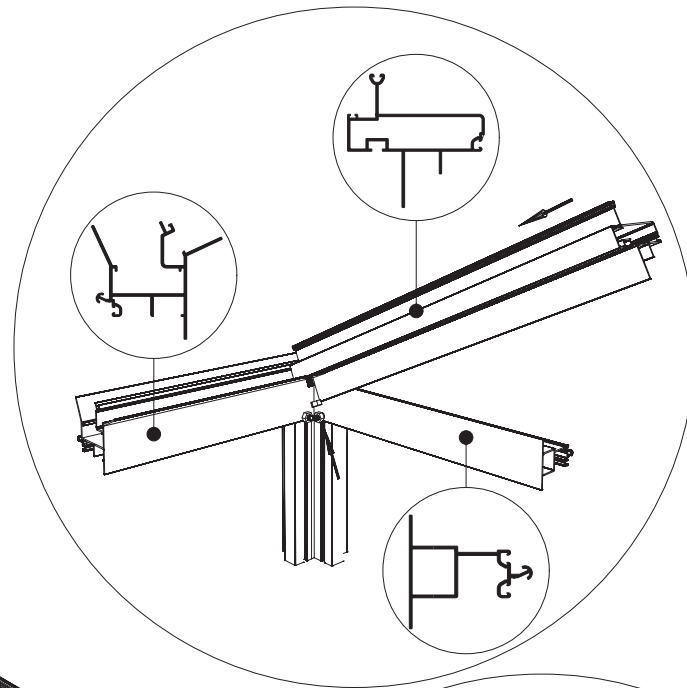
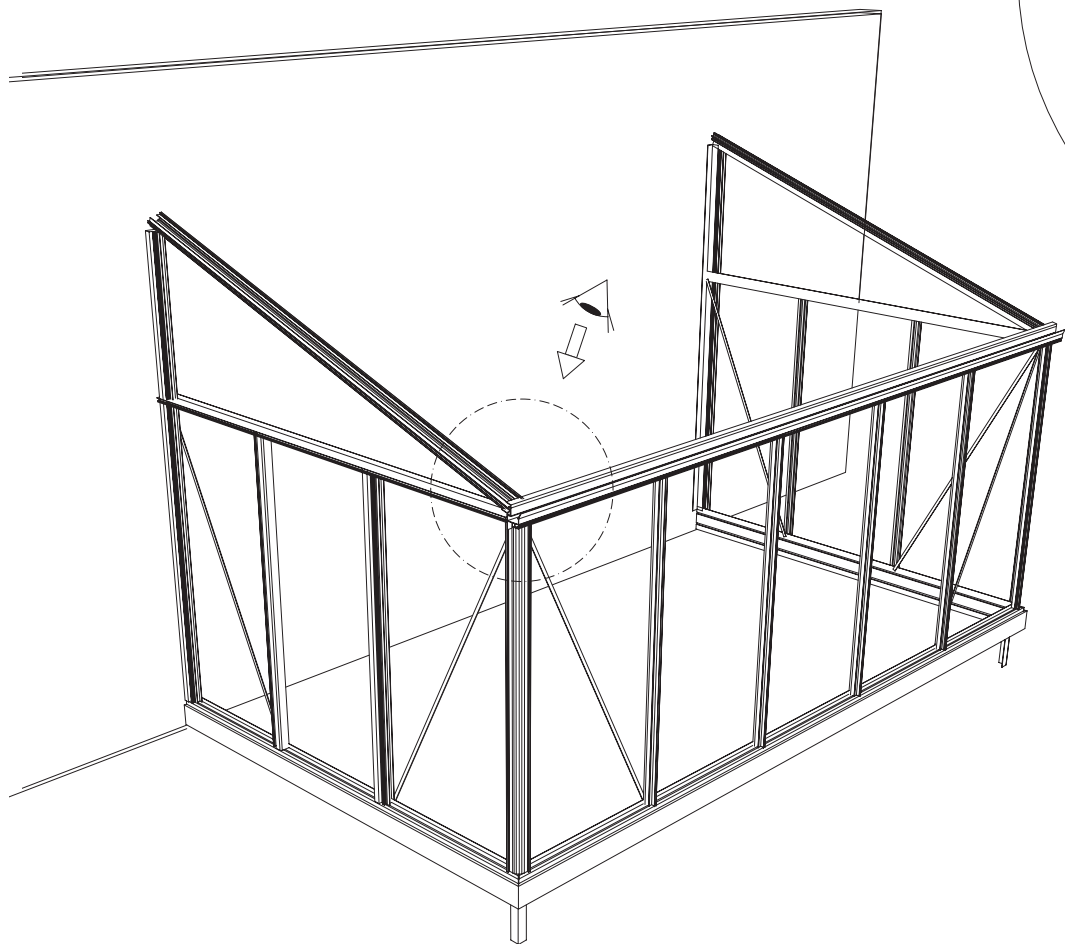


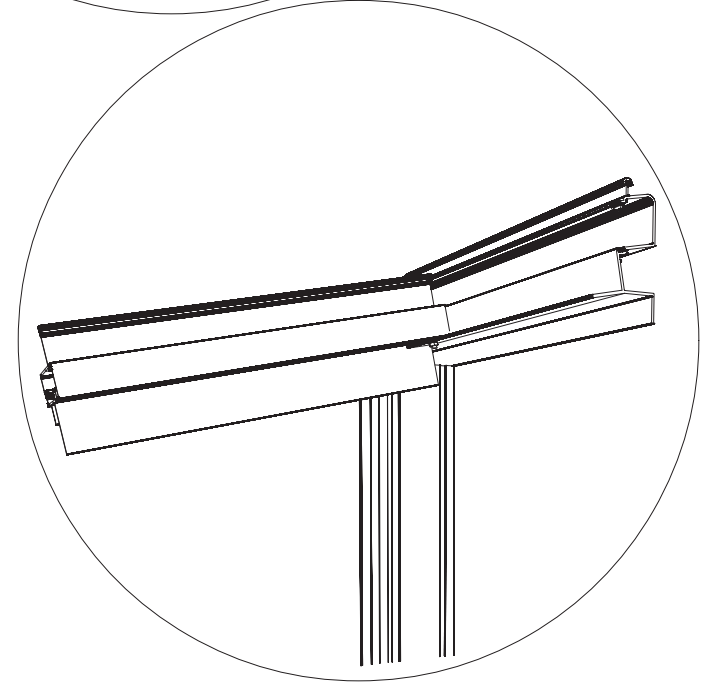
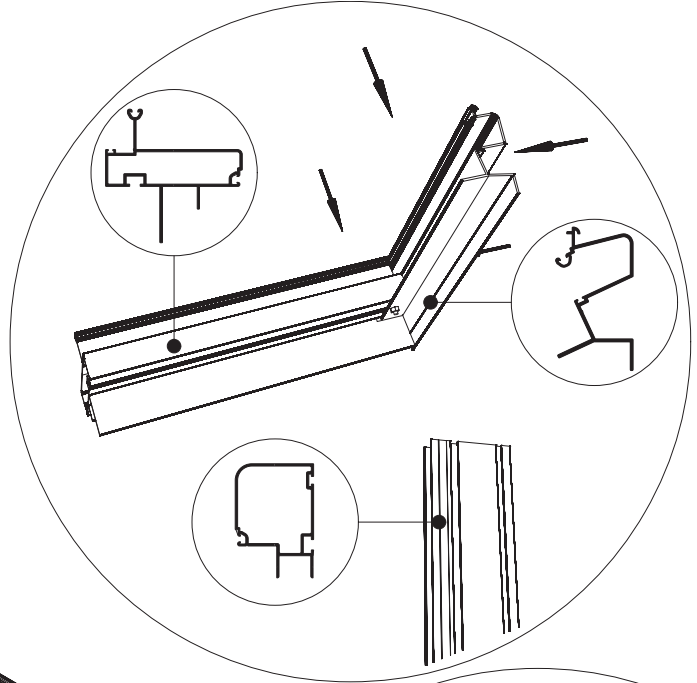
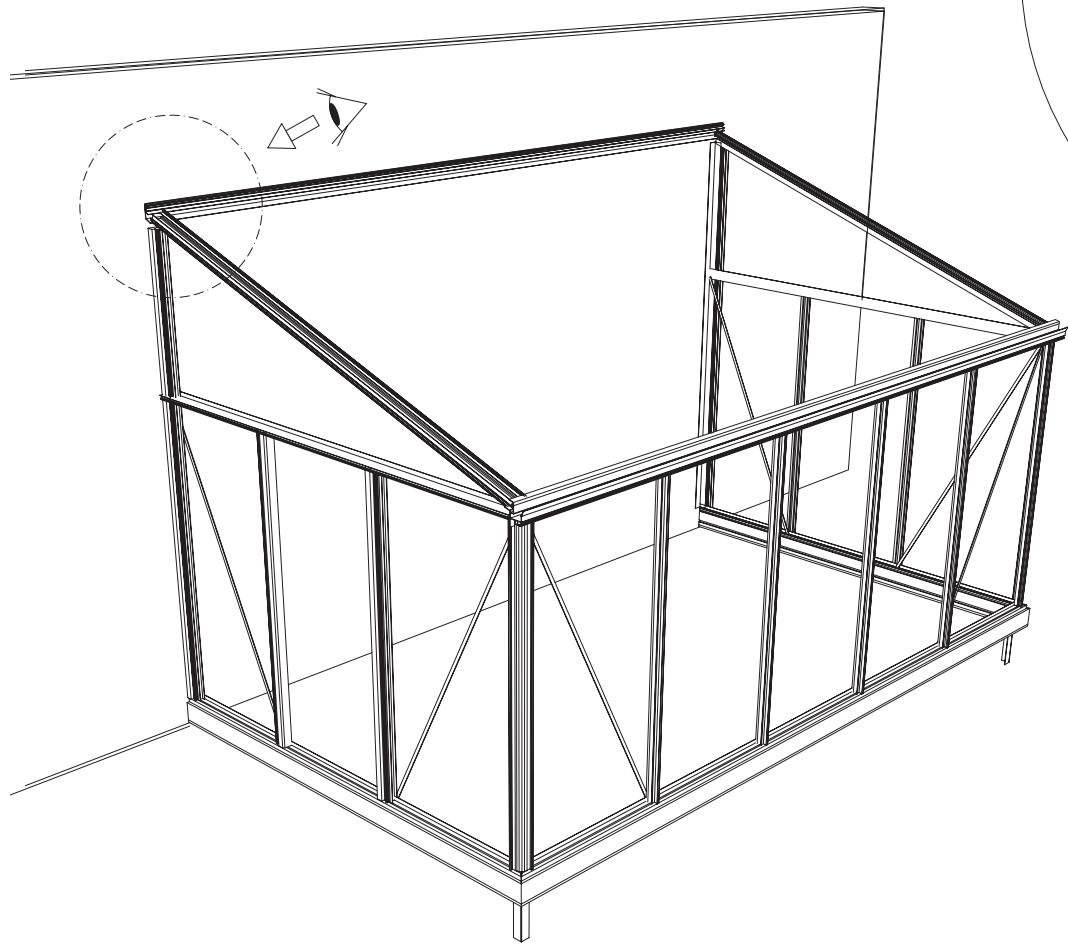


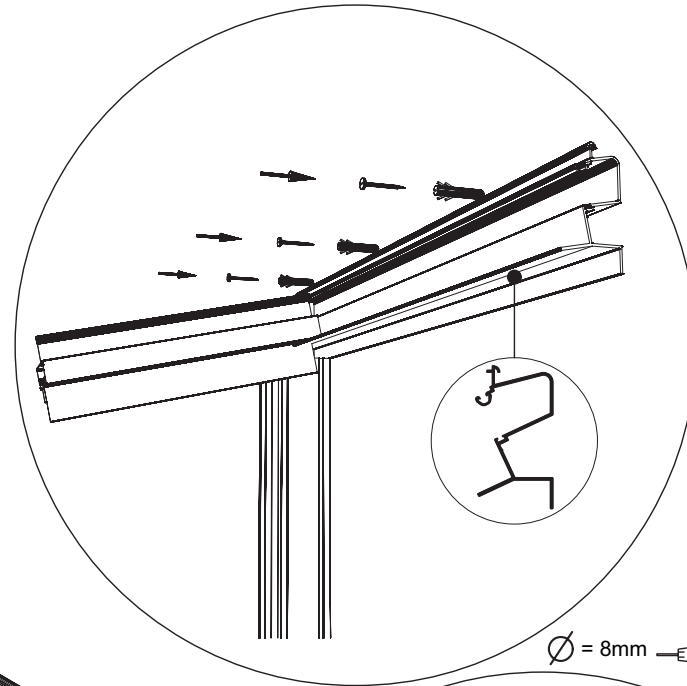
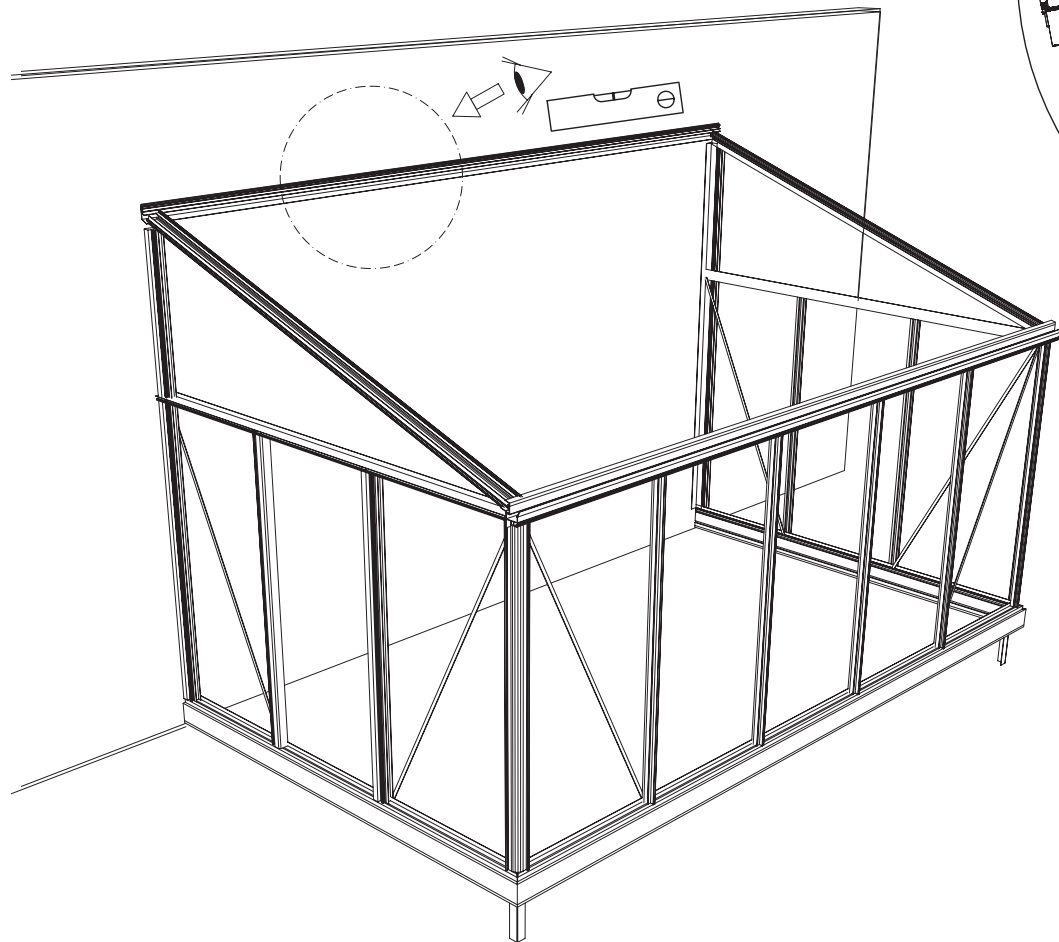




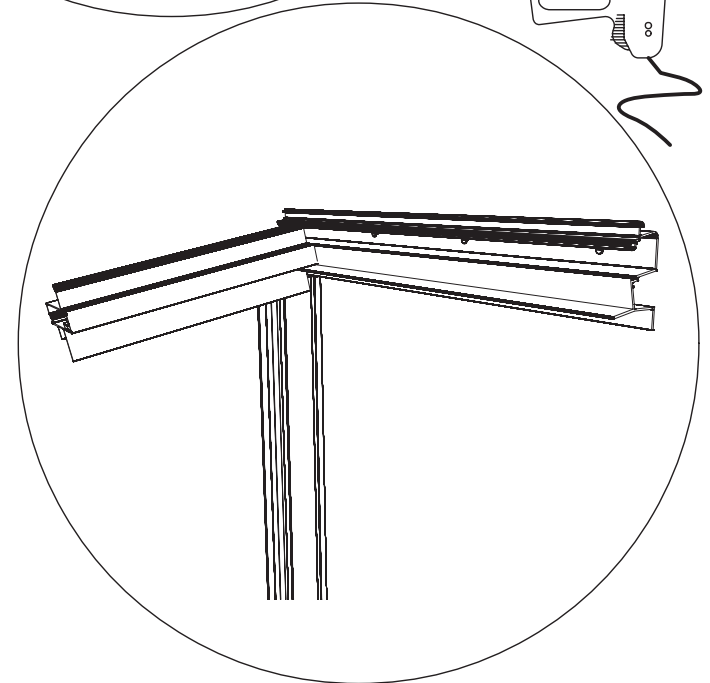
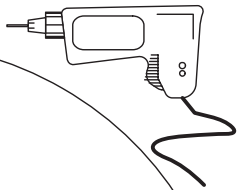


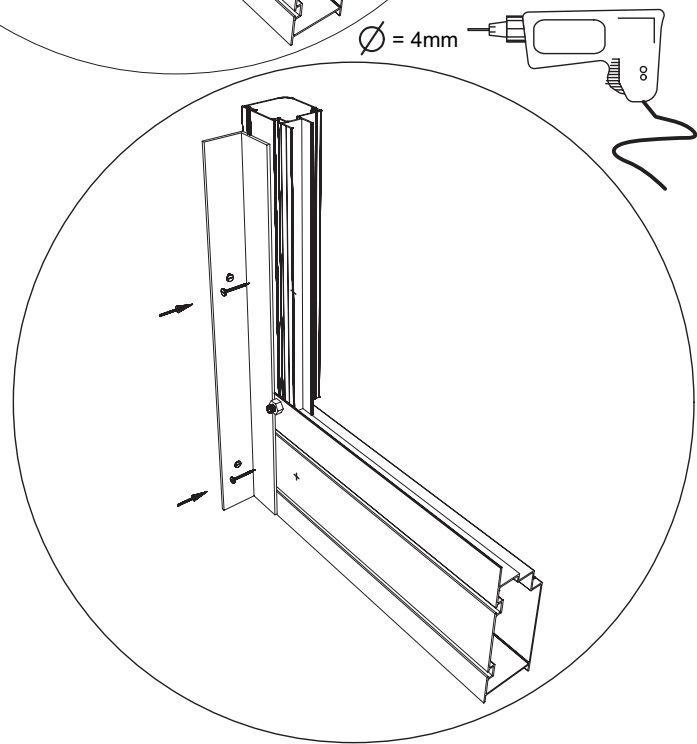
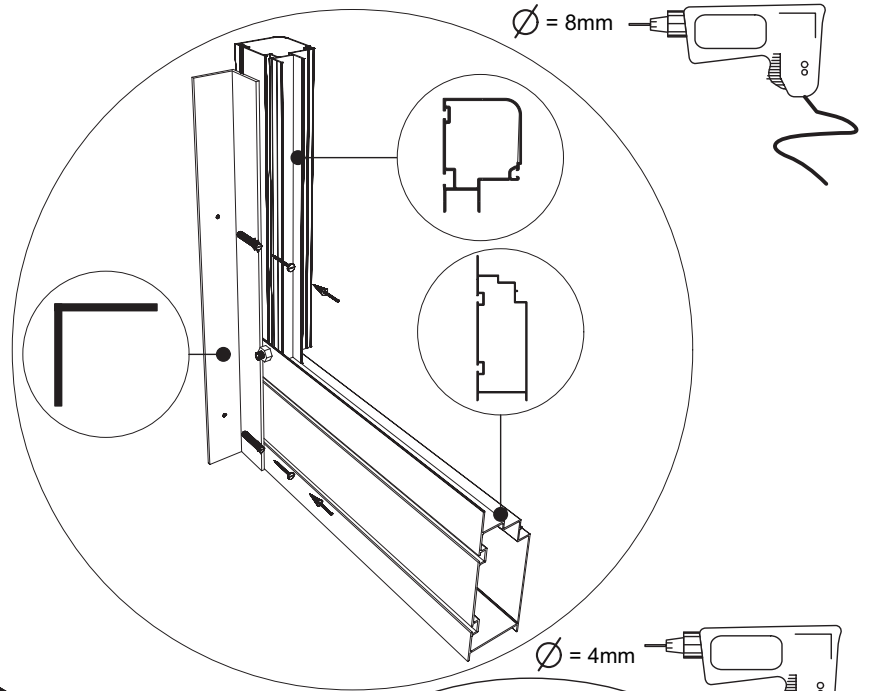
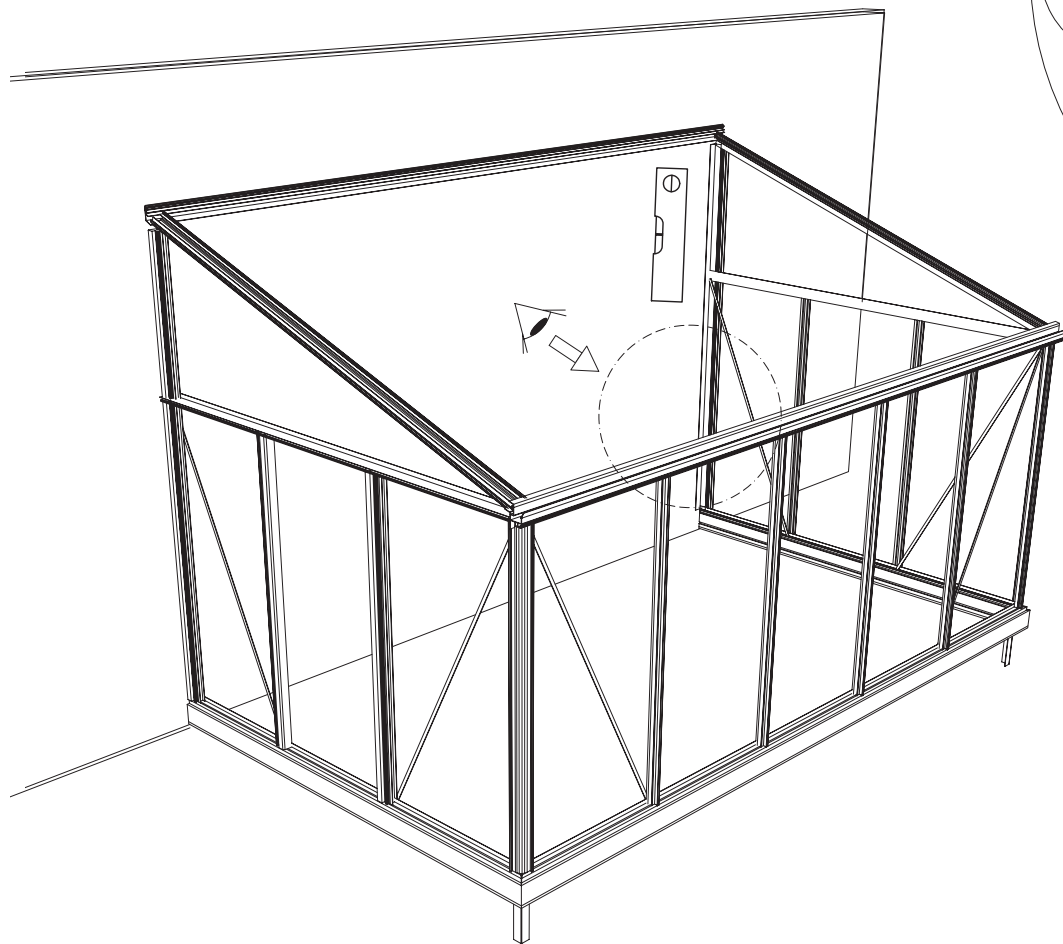


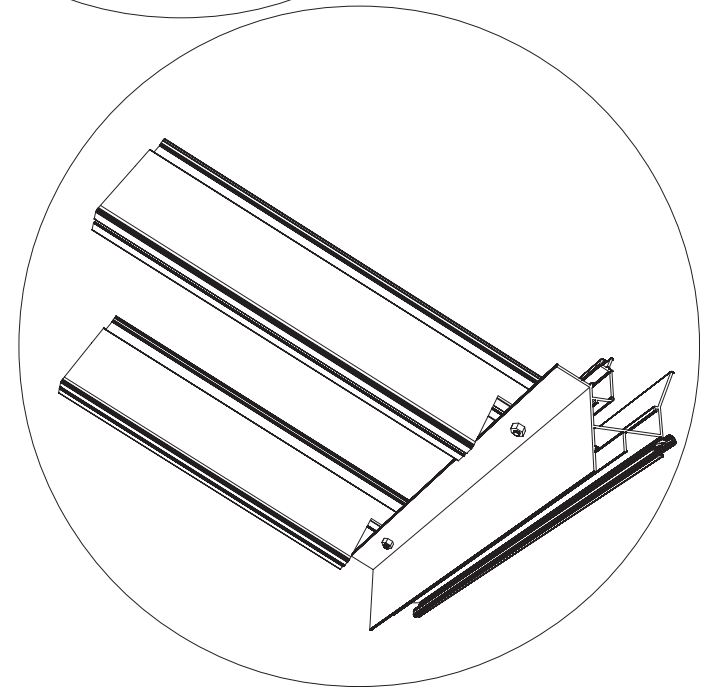
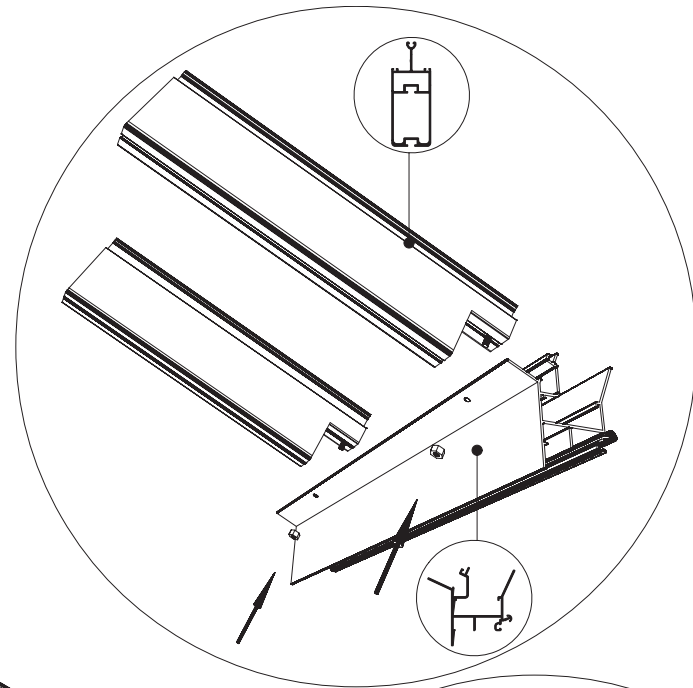
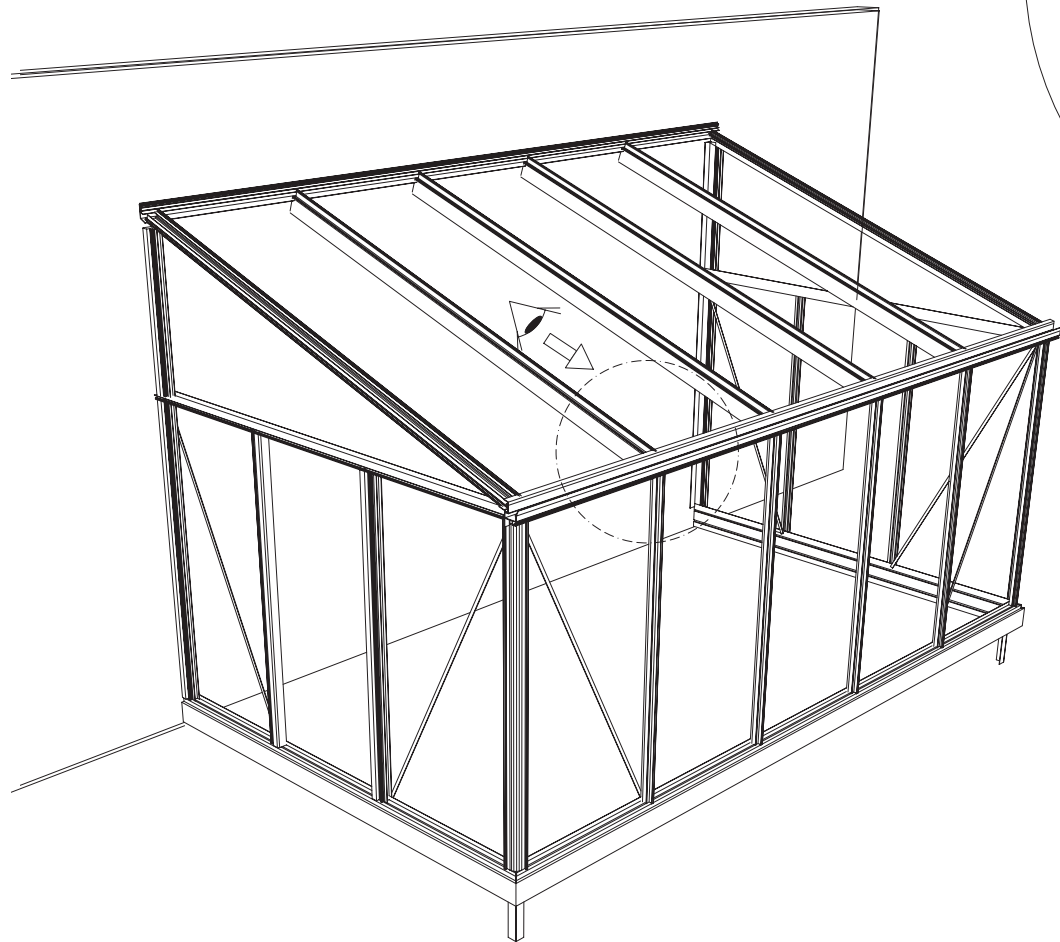


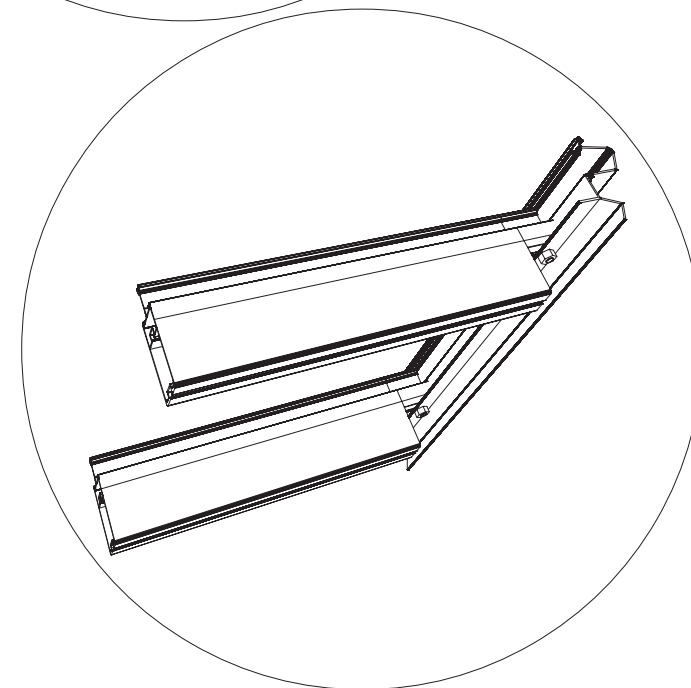
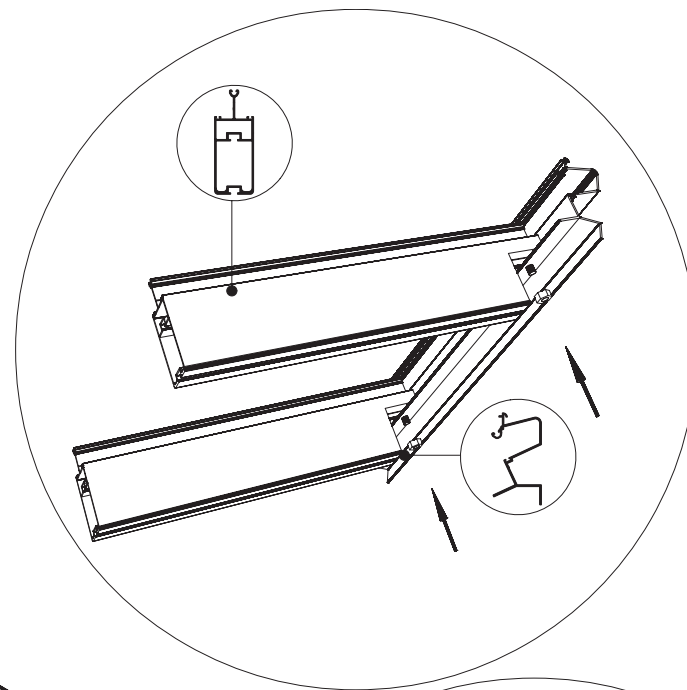
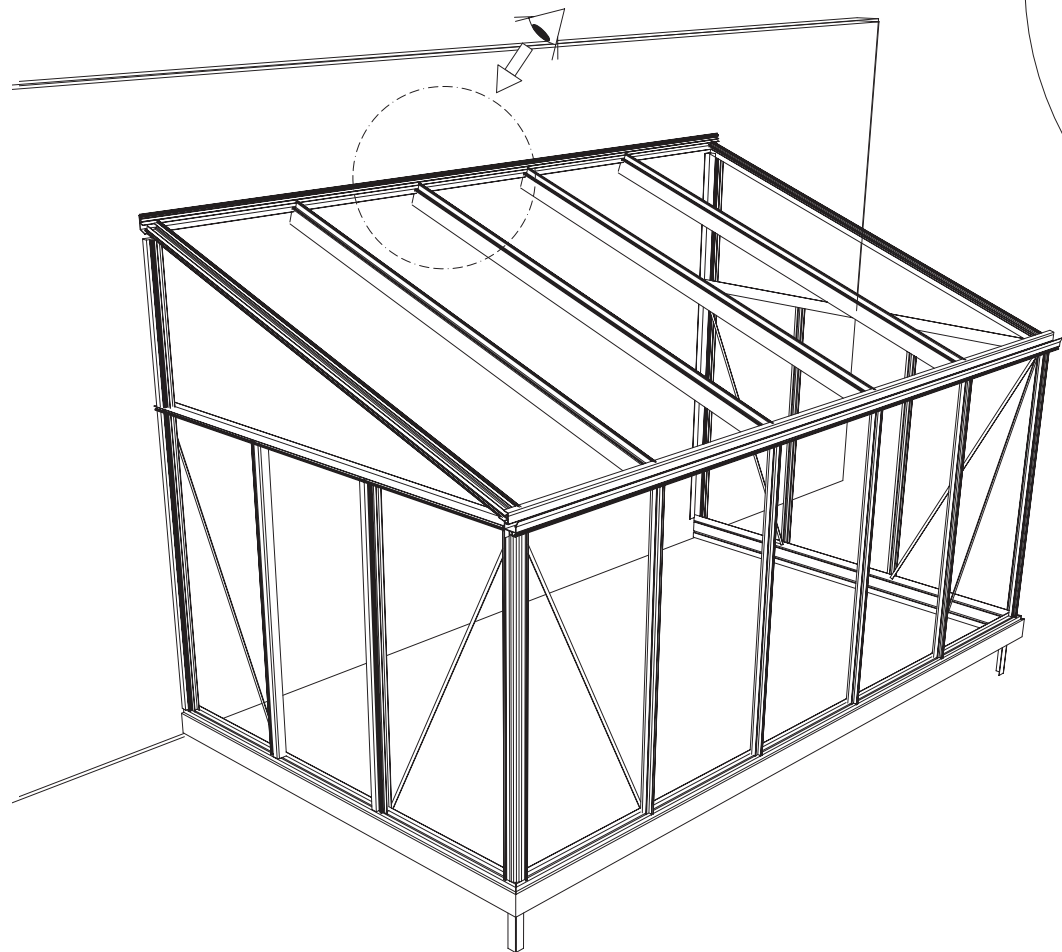


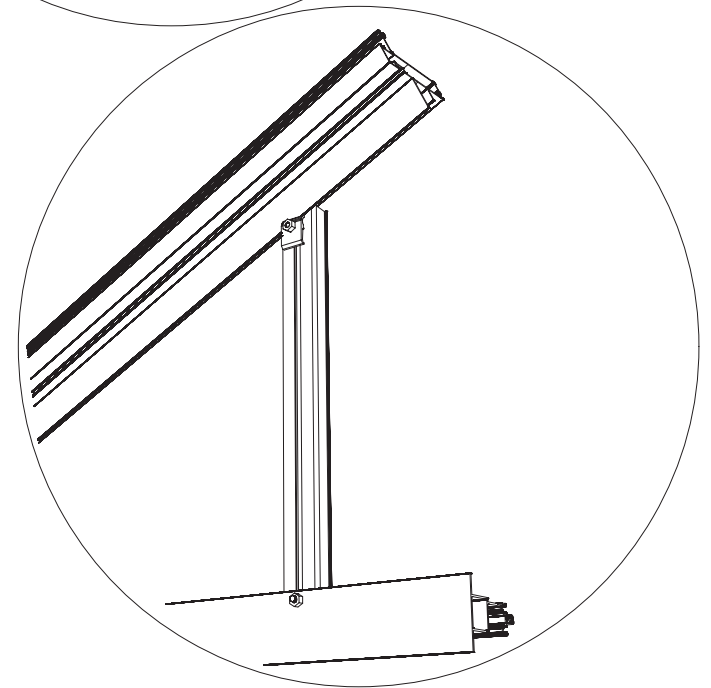
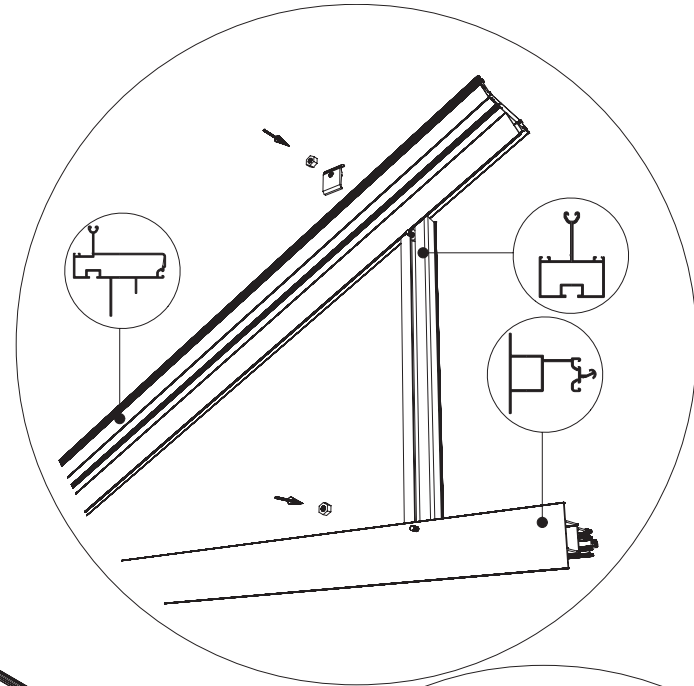
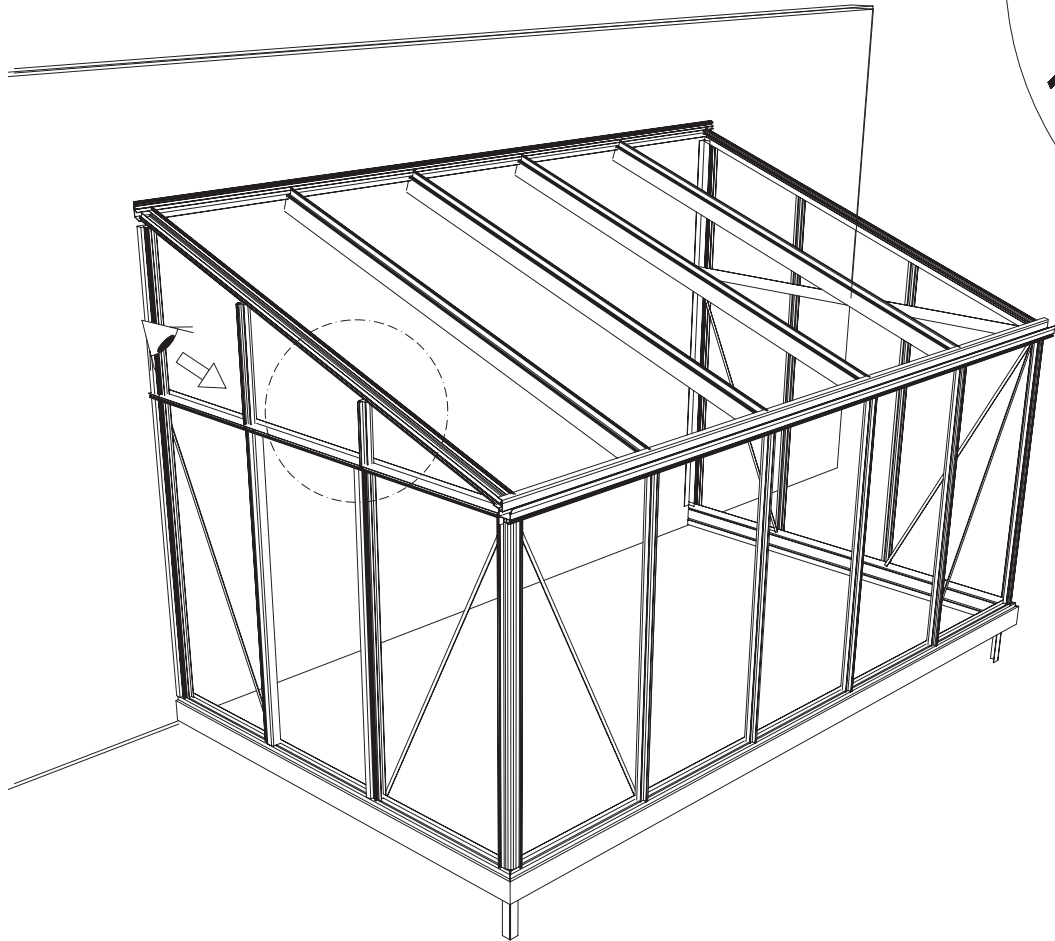
Ø = 8mm

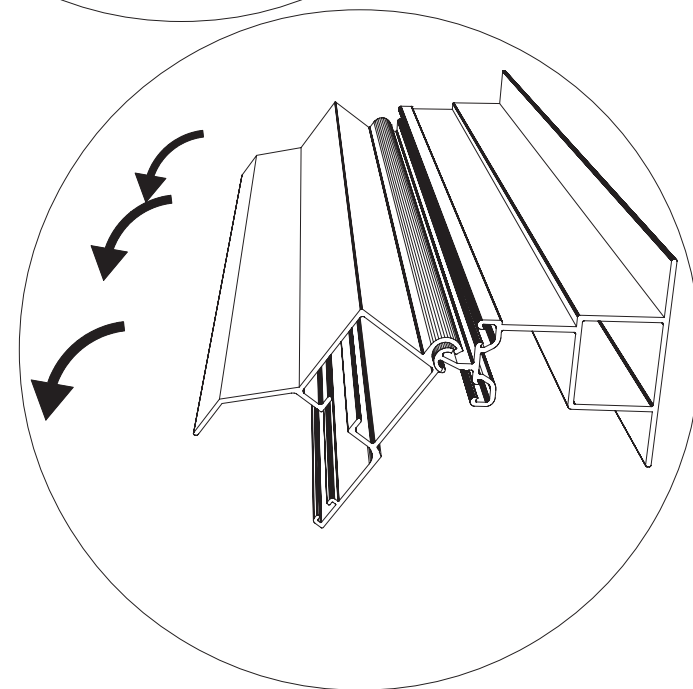
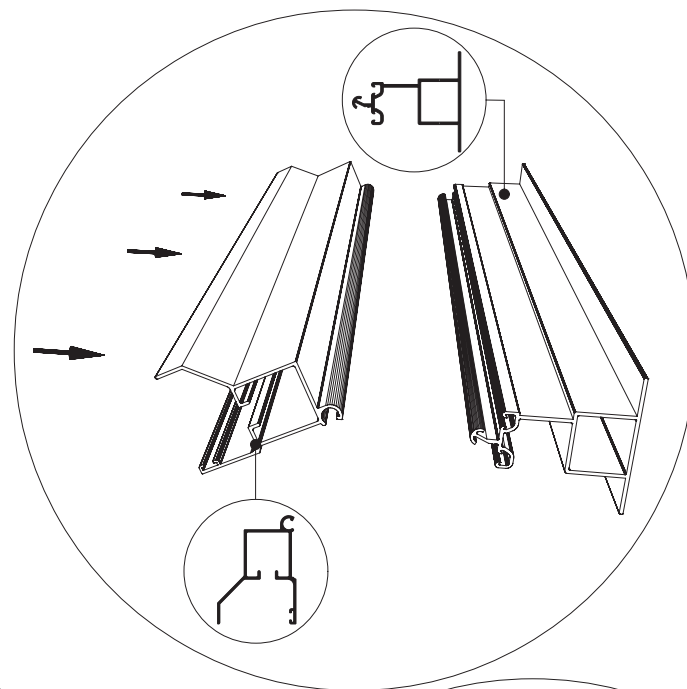
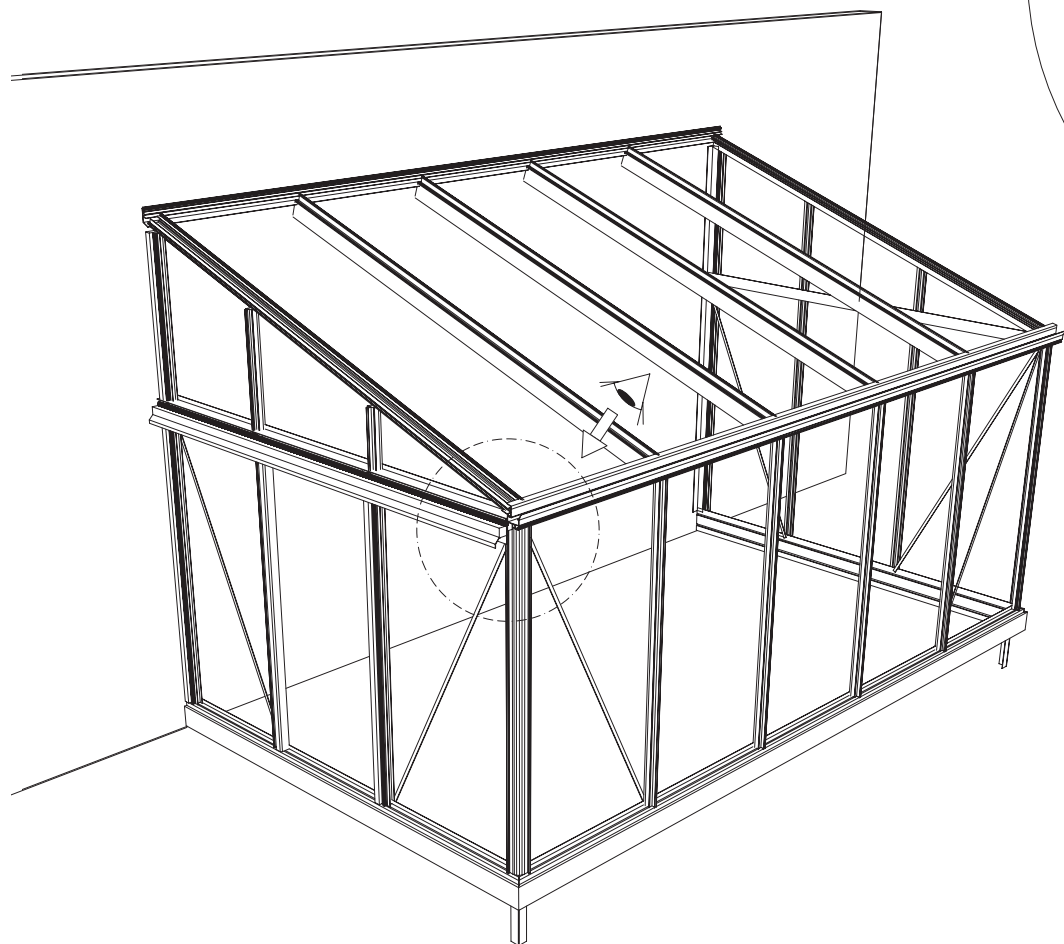


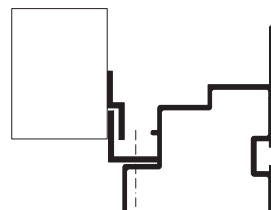
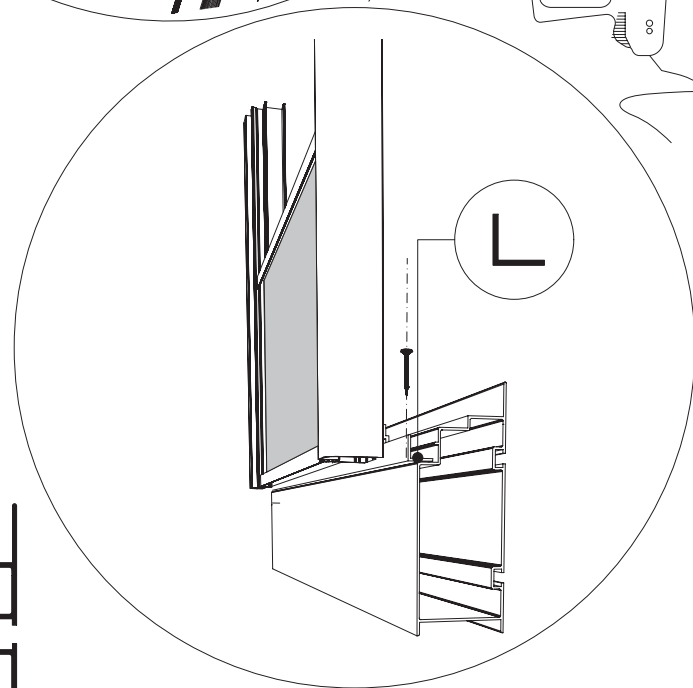
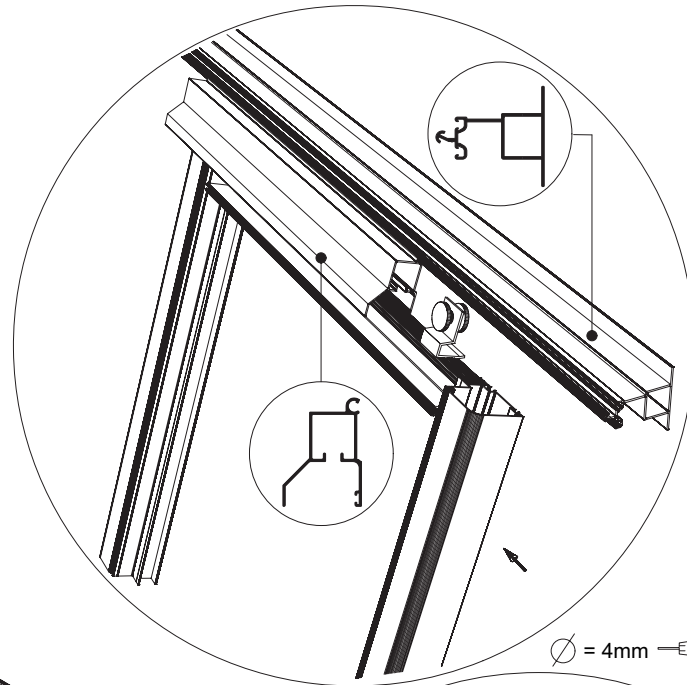
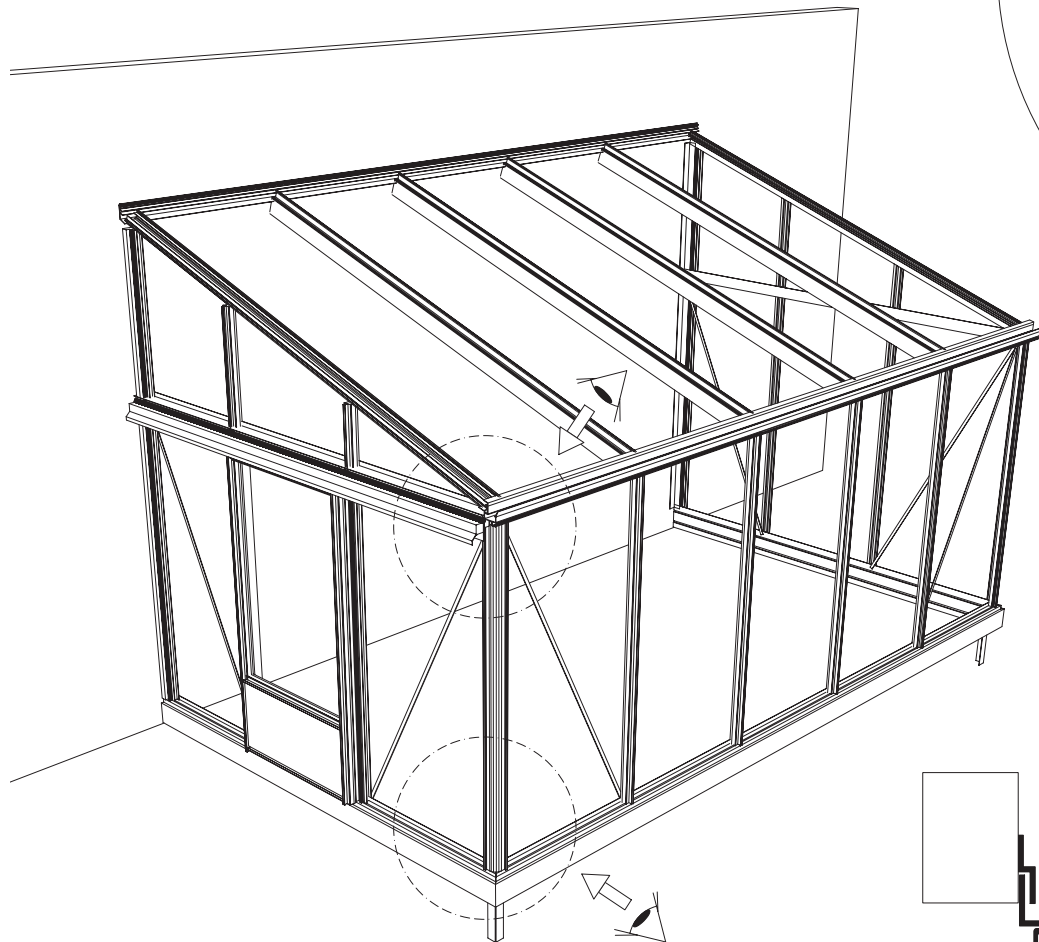


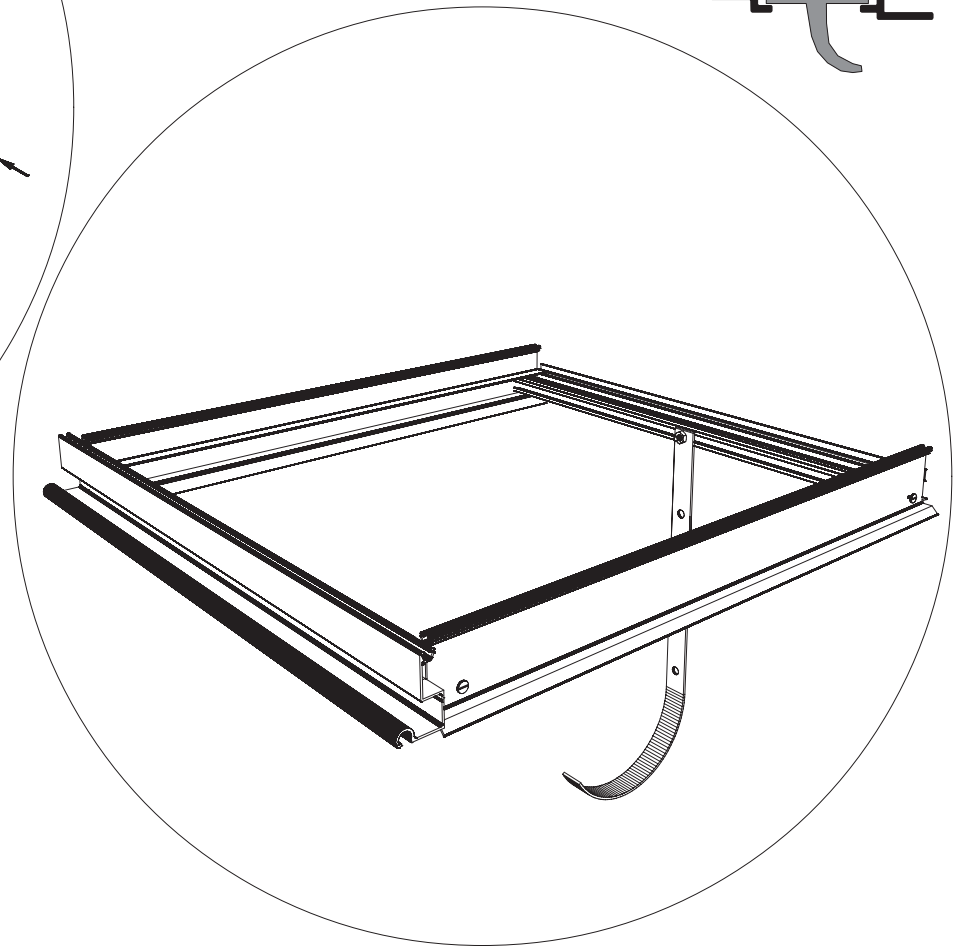
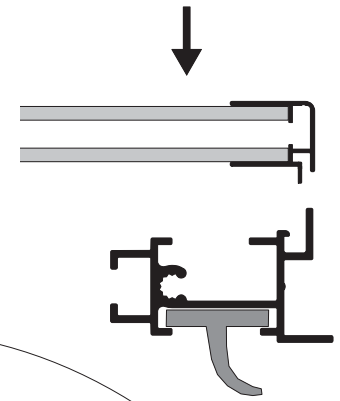
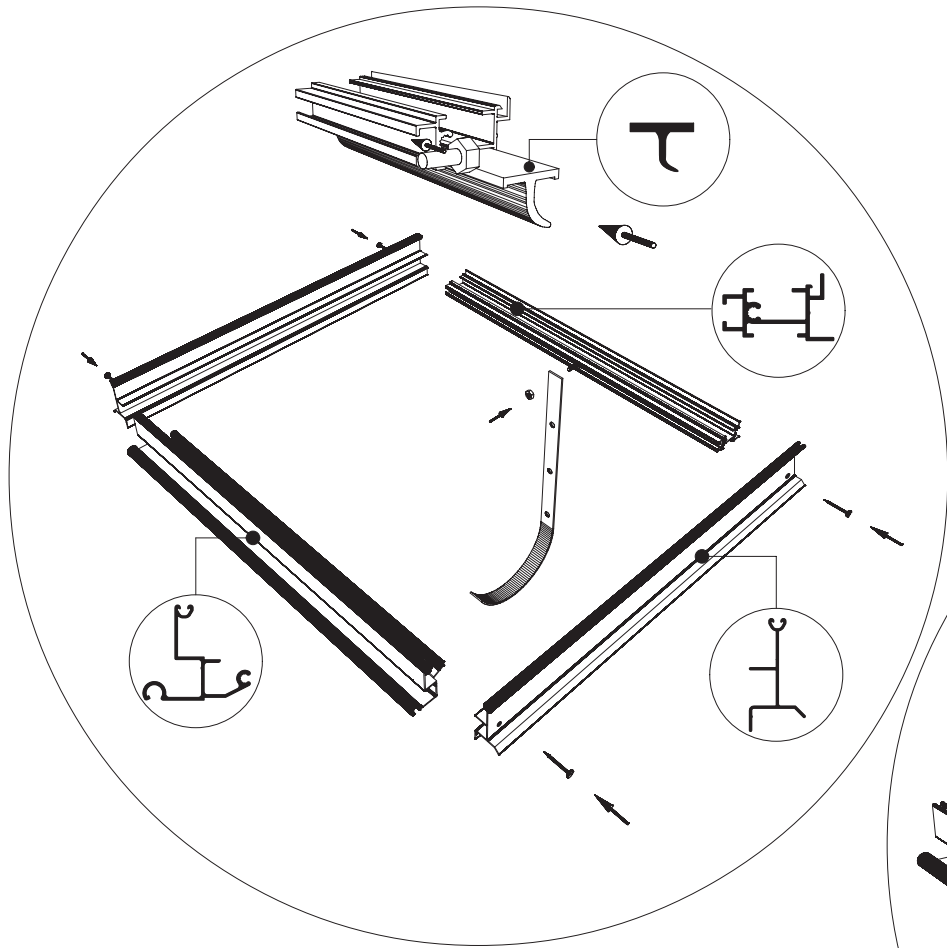


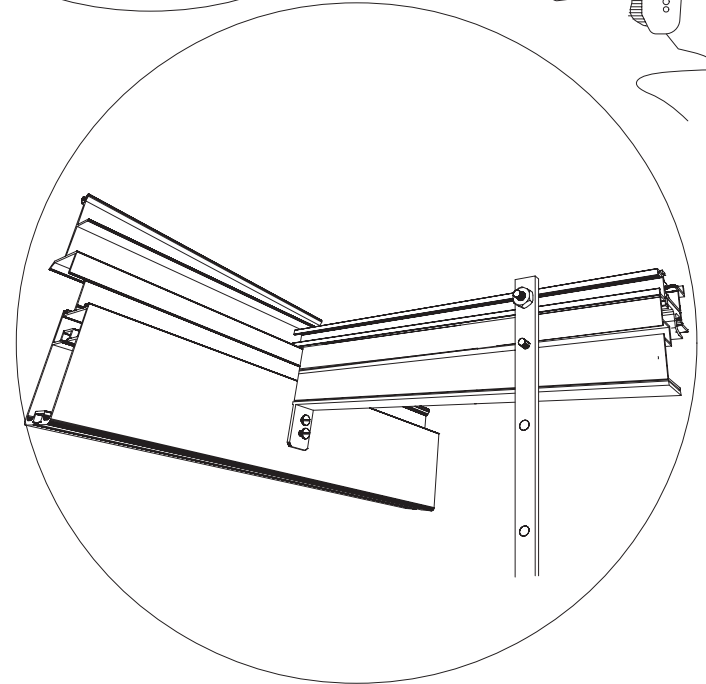
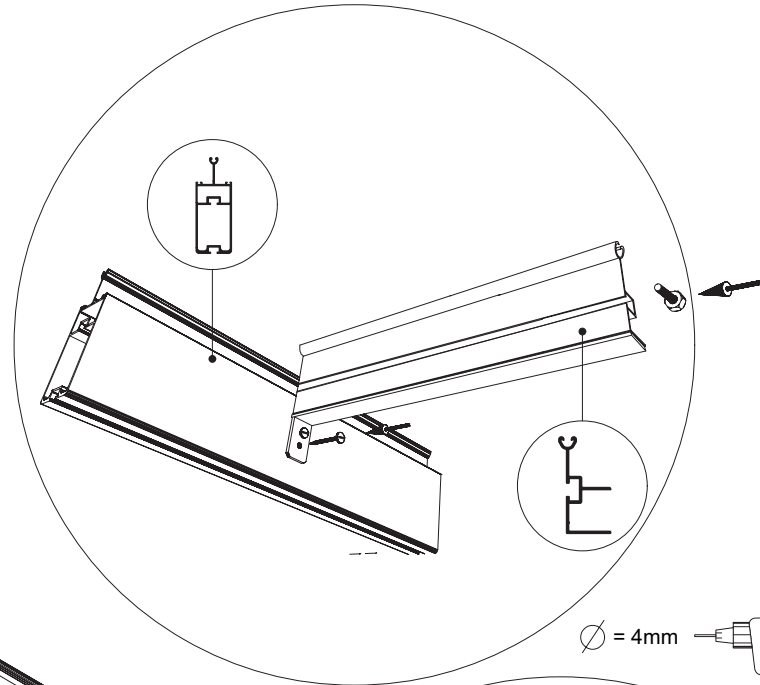
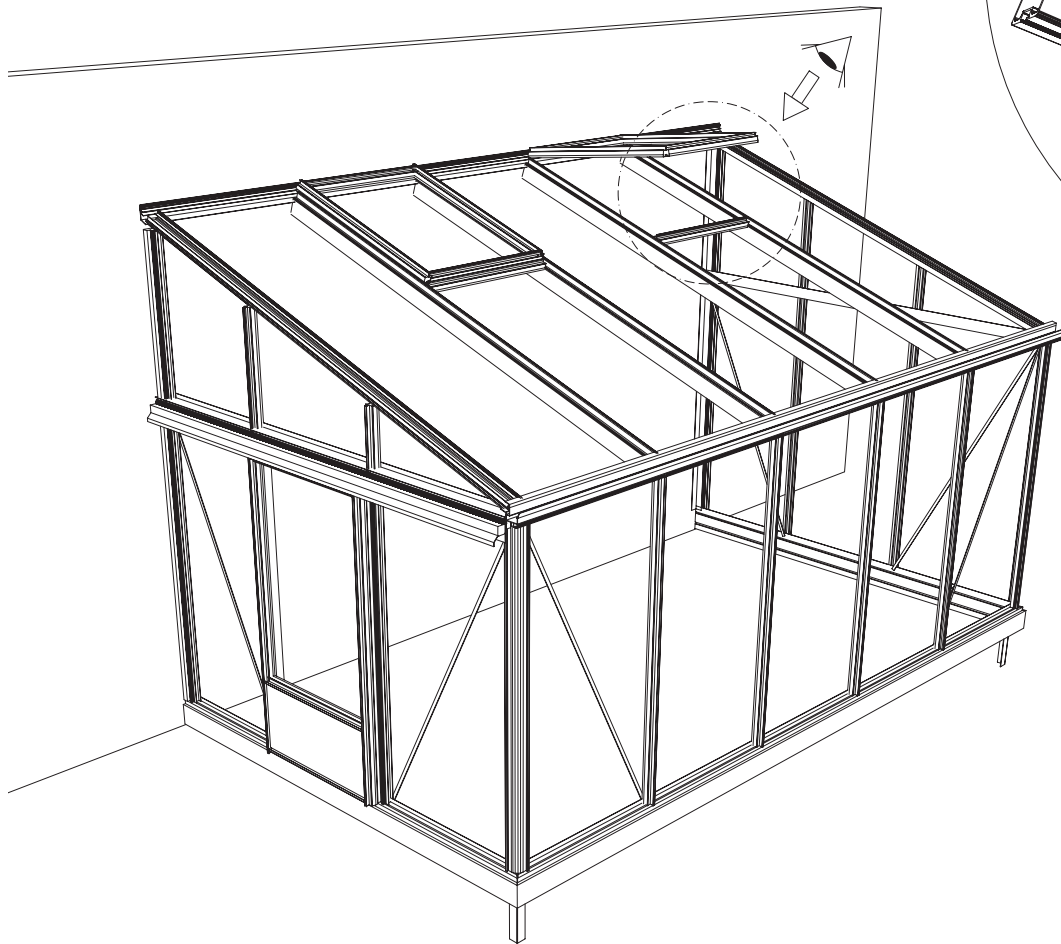
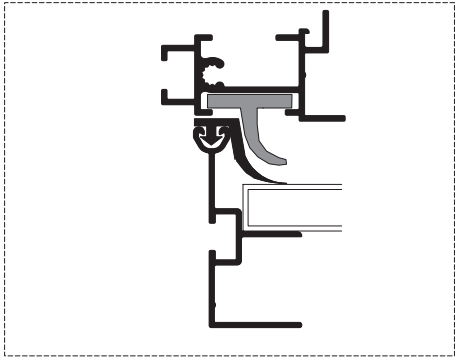


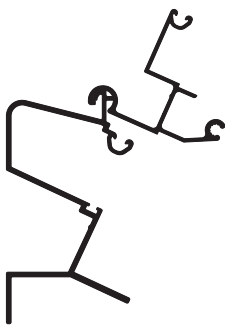
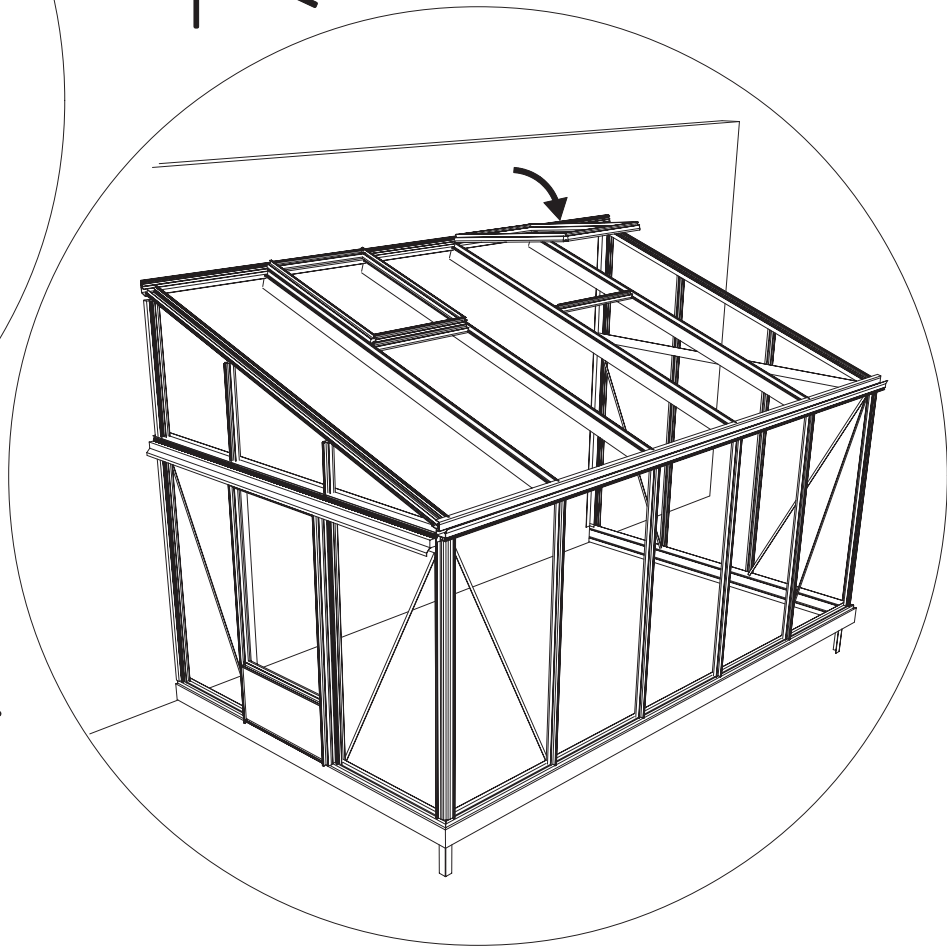
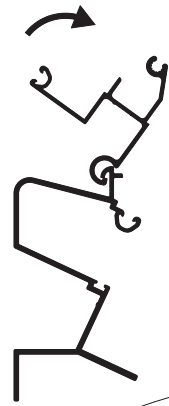
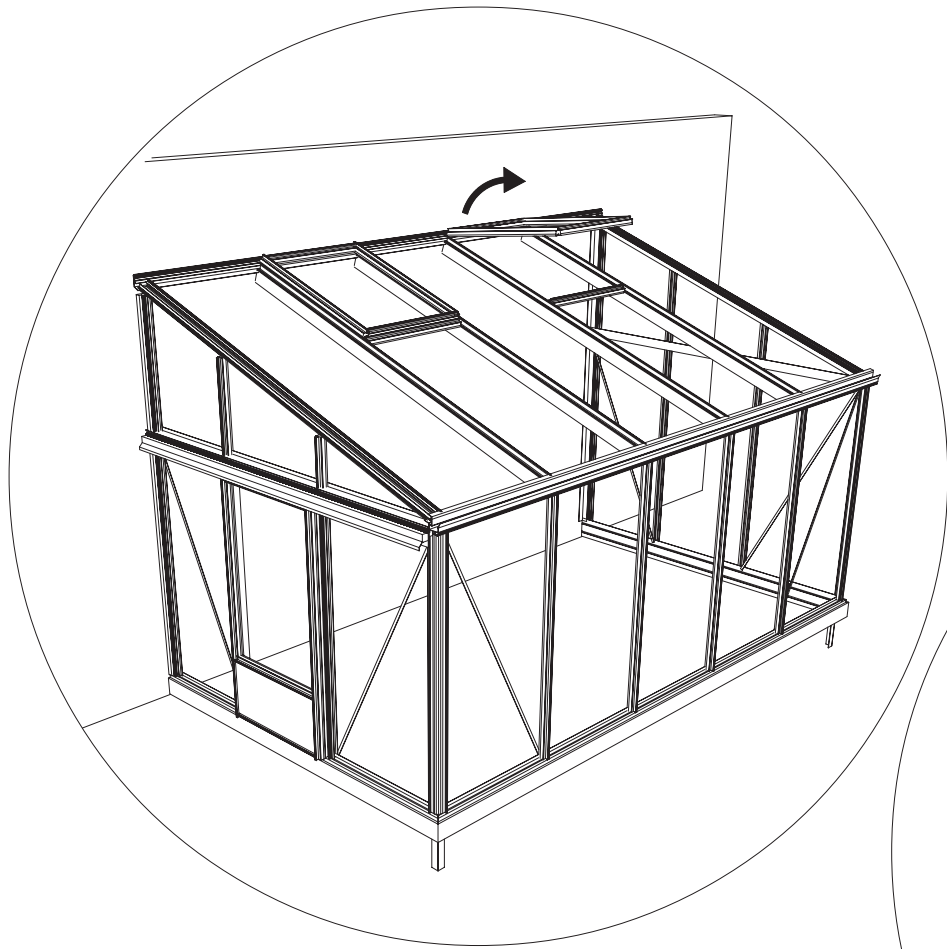


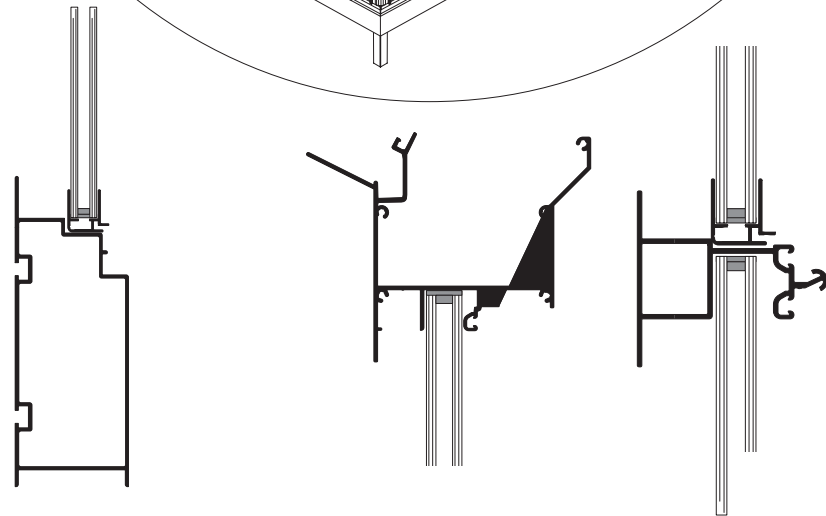
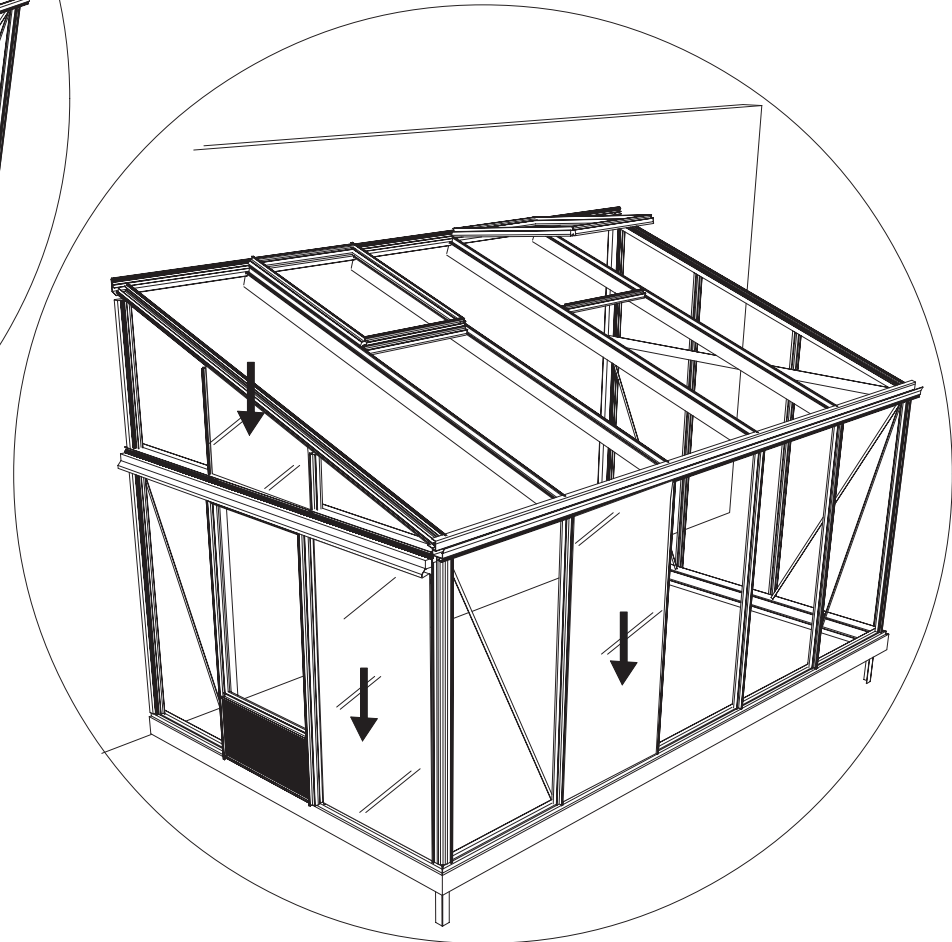
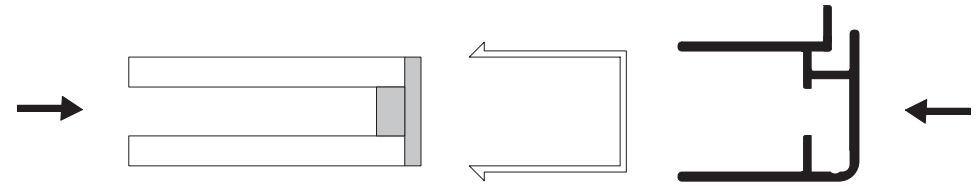
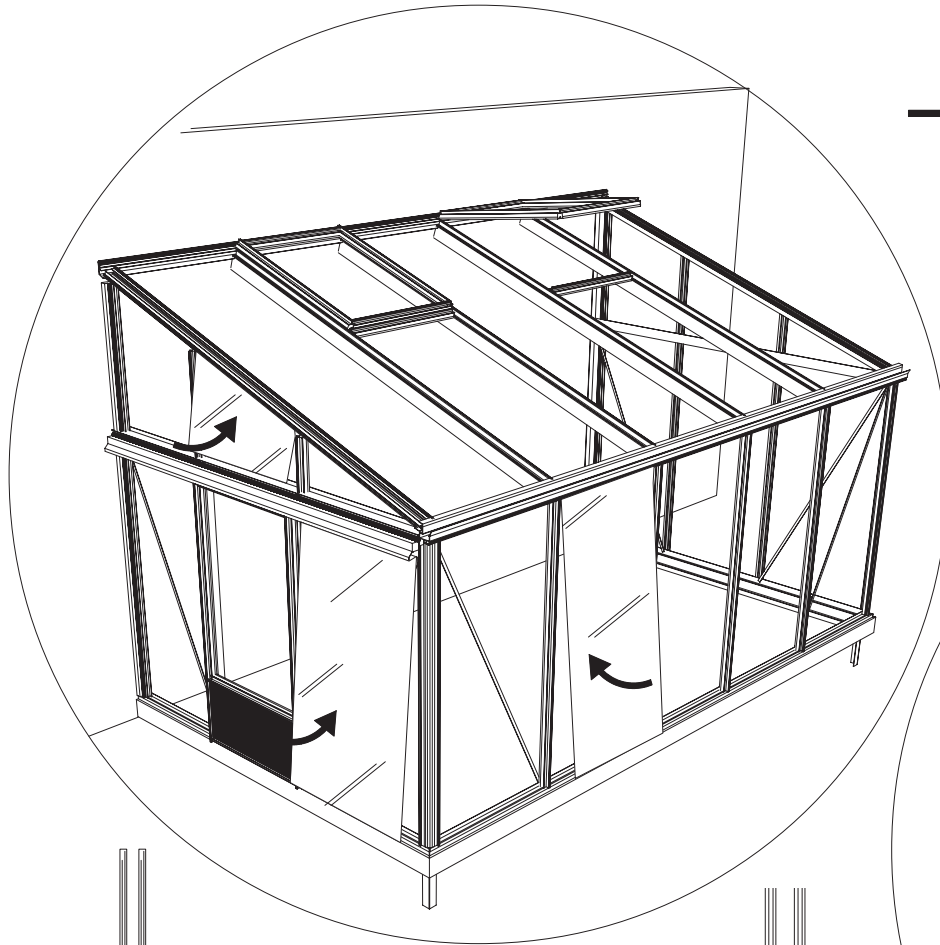


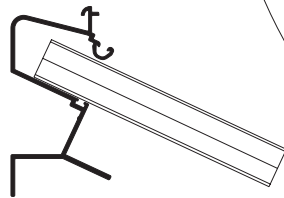
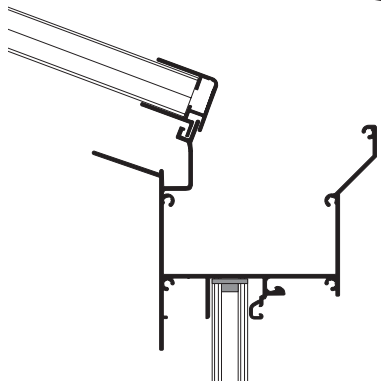
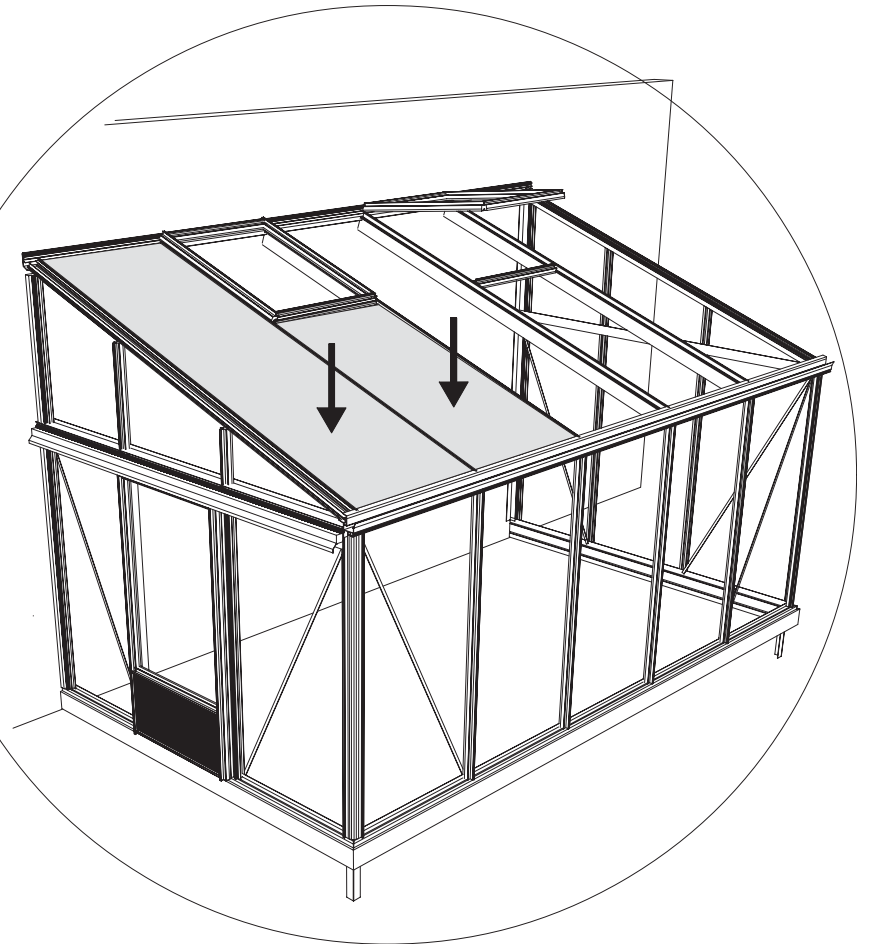
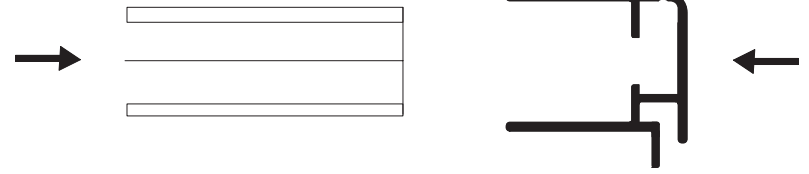
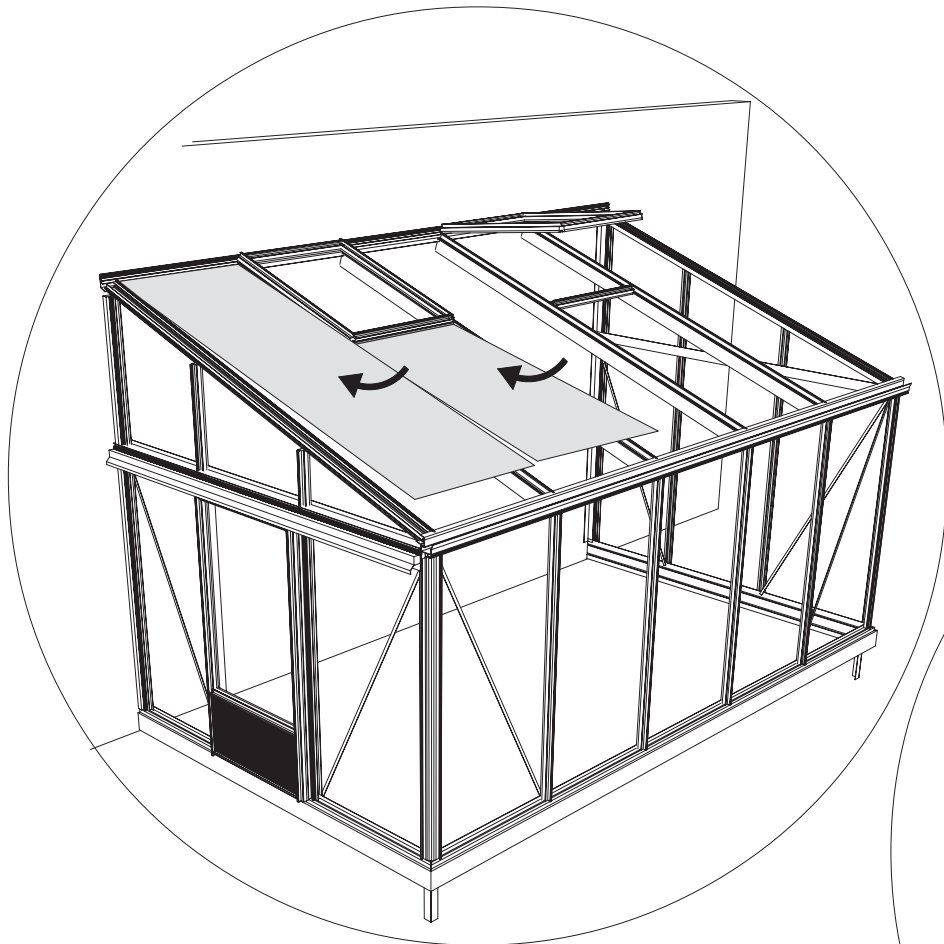






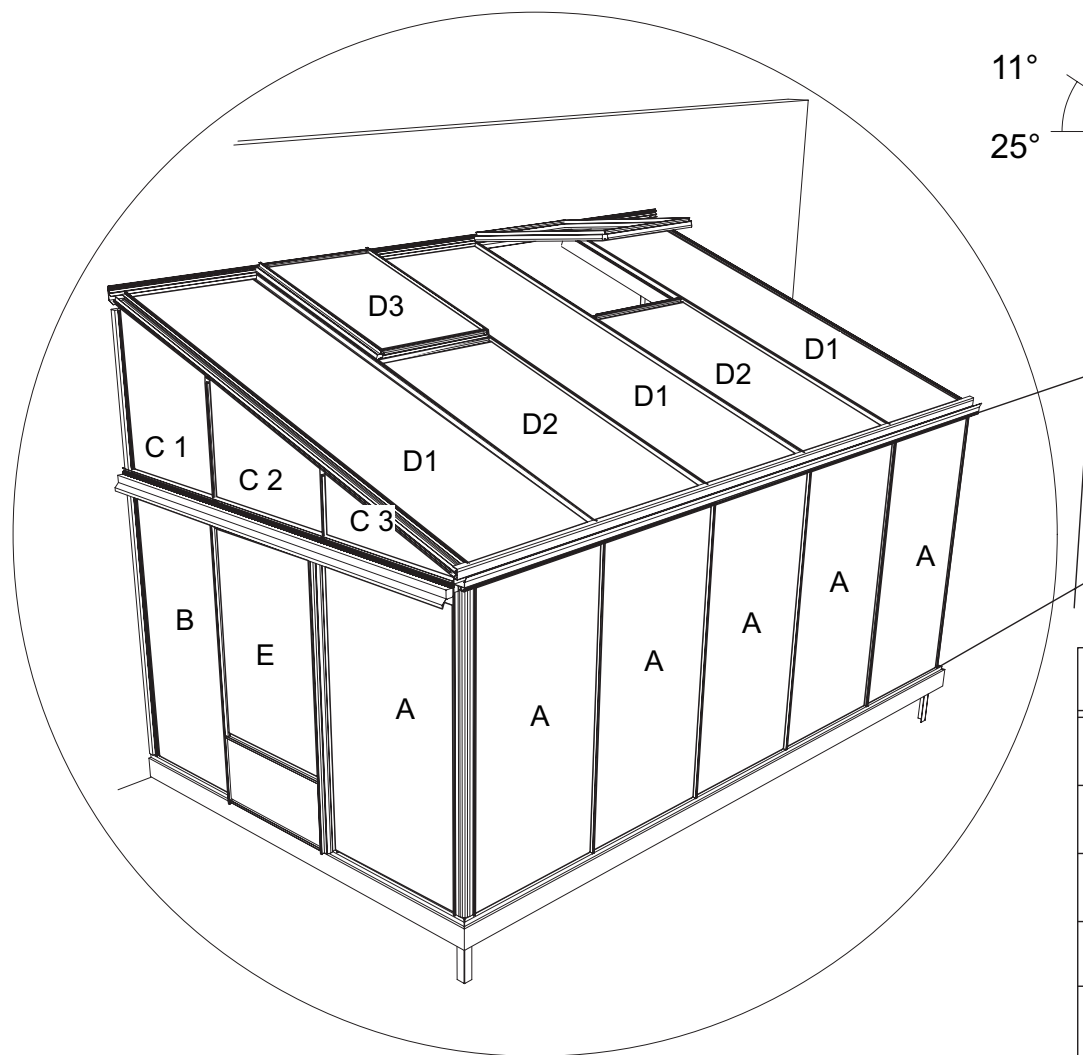






2,33m

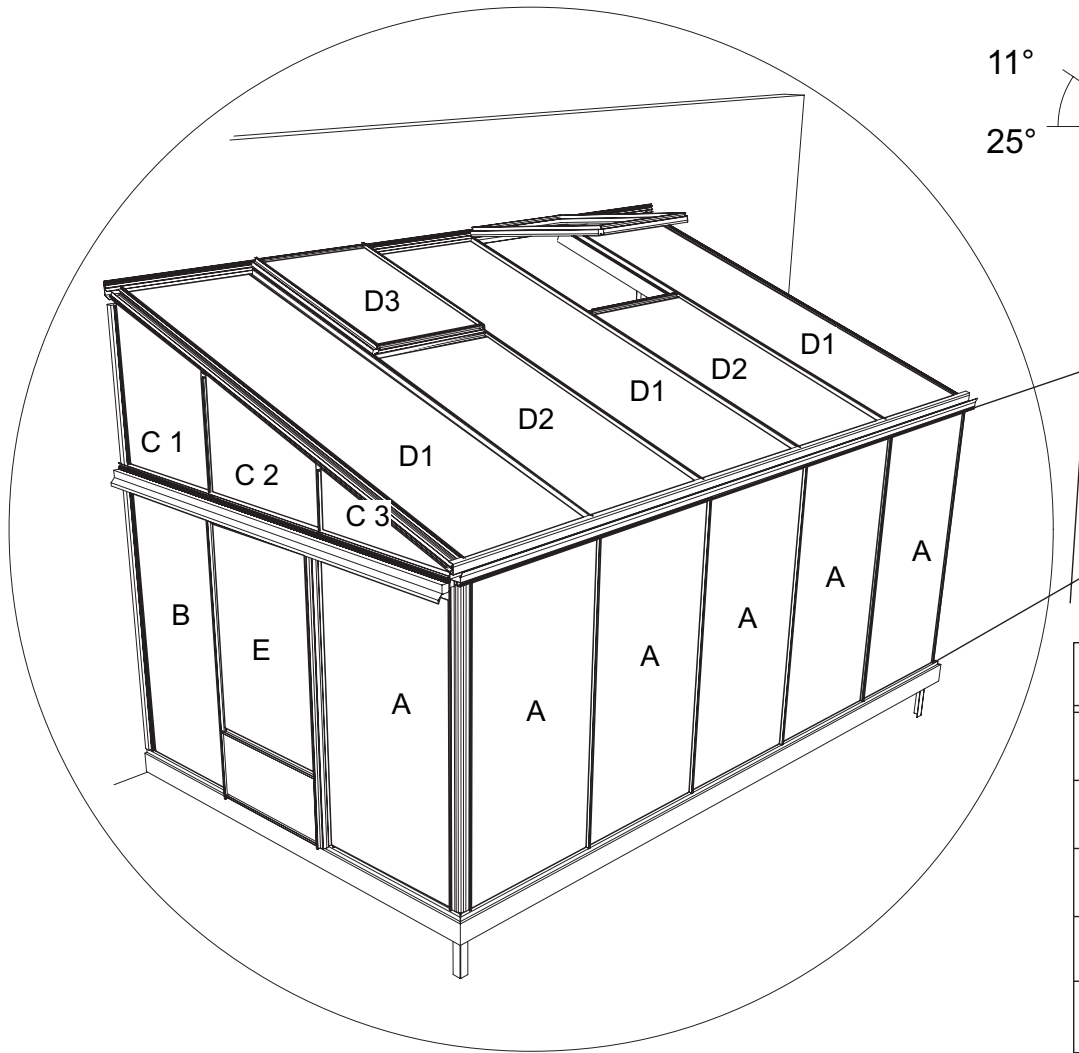
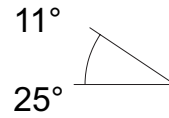
11°
25°



1633 = A
1833 = B

TYPE	2,33 (11°)		2,33 (25°)	
	1633	1833	1633	1833
A	1640 x 980	1840 x 980	1640 x 980	1840 x 980
B	1640 x 550	1840 x 550	1640 x 550	1840 x 550
C 1	476x725x320	476x725x320	917x725x621	917x725x621
C 2	318x725x170	318x725x170	619x725x319	619x725x319
C 3	168x745x10	168x745x10	317x745x10	317x745x10
D1	2335 x 980	2335 x 980	2460 x 980	2460 x 980
D2	1495 x 980	1495 x 980	1635x 980	1635 x 980
D3	815 x 980	815 x 980	815 x 980	815 x 980
E	1260 x 845	1460 x 845	1260 x 845	1460 x 845

3,09m



1633 = A
1833 = B

TYPE	3,09 (11°)		3,09 (25°)	
	1633	1833	1633	1833
A	1640 x 980	1840 x 980	1640 x 980	1840 x 980
B	1640 x 550	1840 x 550	1640 x 550	1840 x 550
C 1	553x980x375	553x980x375	1338x980x900	1338x980x900
C 2	373x980x195	373x980x195	898x980x460	898x980x460
C 3	193x995x10	193x995x10	458x995x10	458x995x10
D 1	3075 x 980	3075 x 980	3325 x 980	3325 x 980
D 2	2250 x 980	2250 x 980	2495 x 980	2495 x 980
D 3	815 x 980	815 x 980	815 x 980	815 x 980
E	1260 x 845	1460 x 845	1260 x 845	1460 x 845

