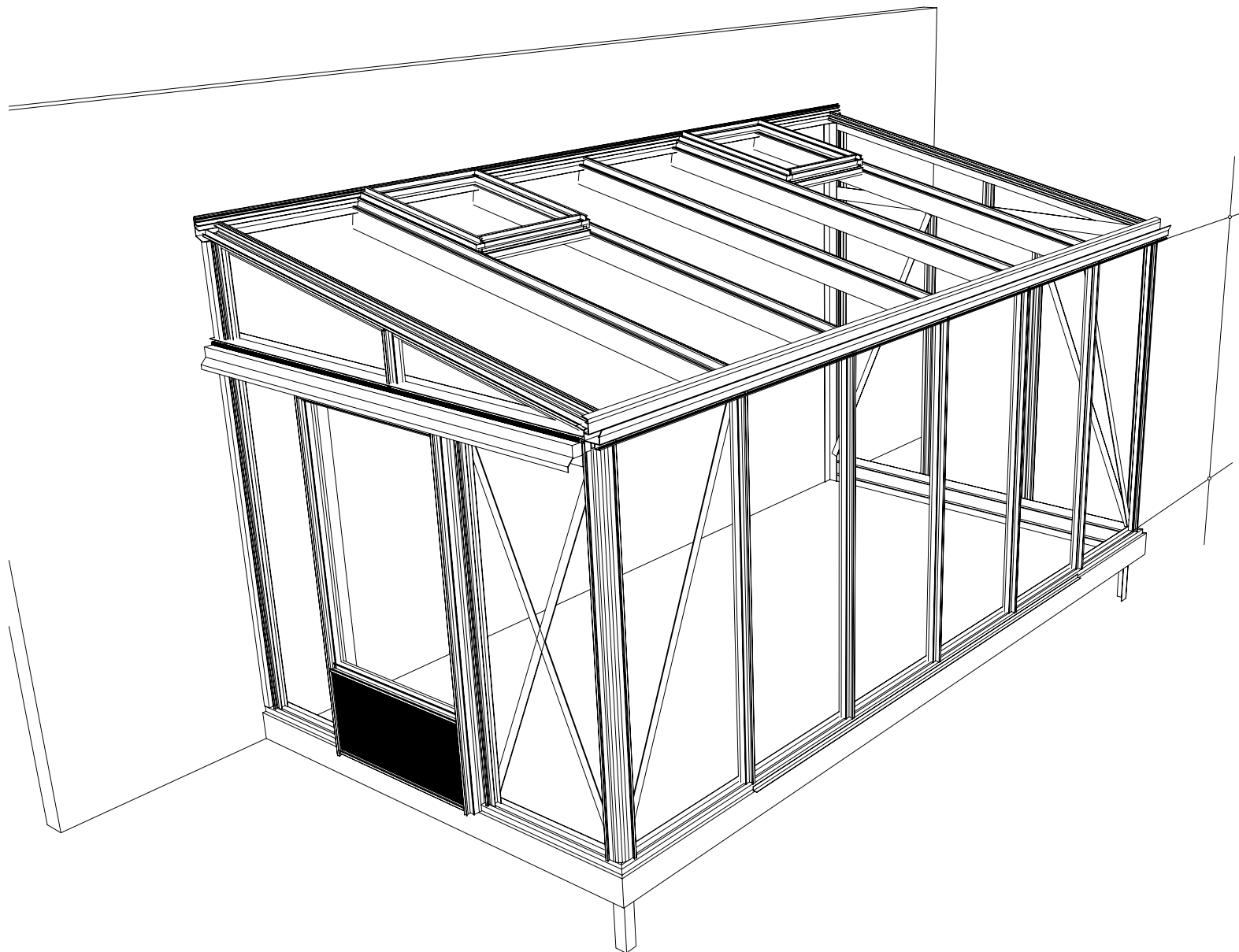
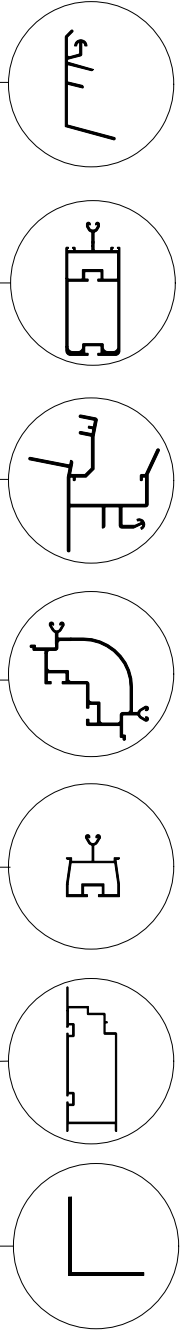
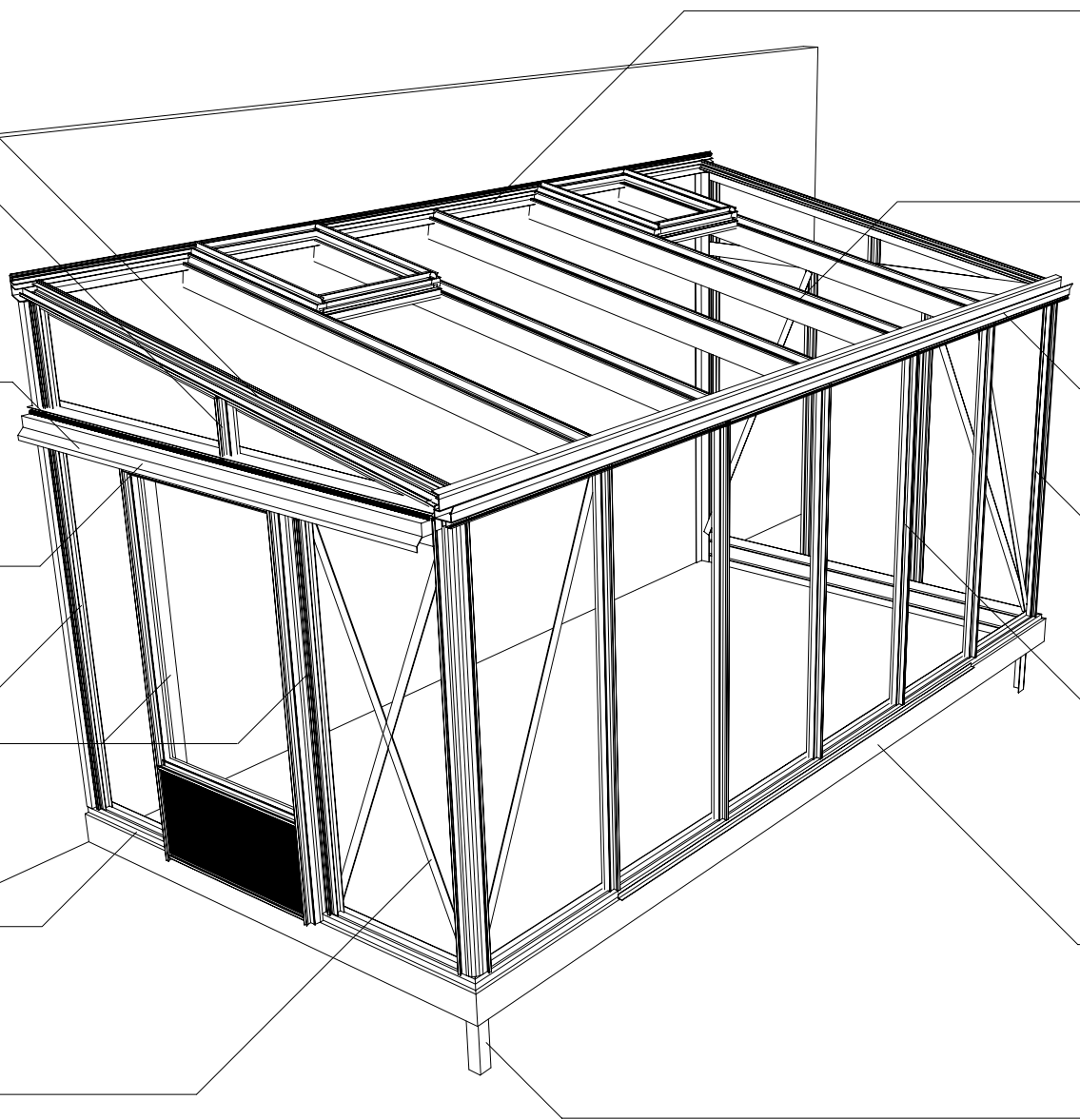
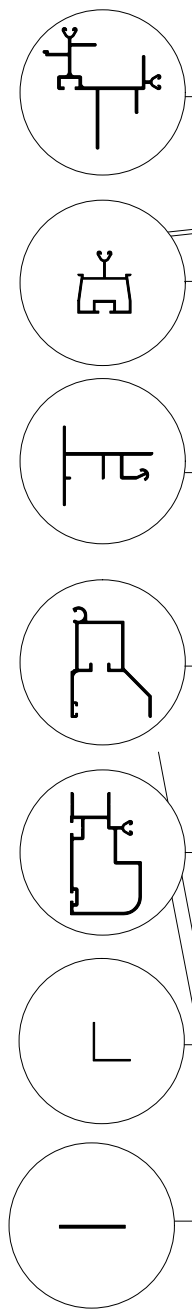


2,33 m

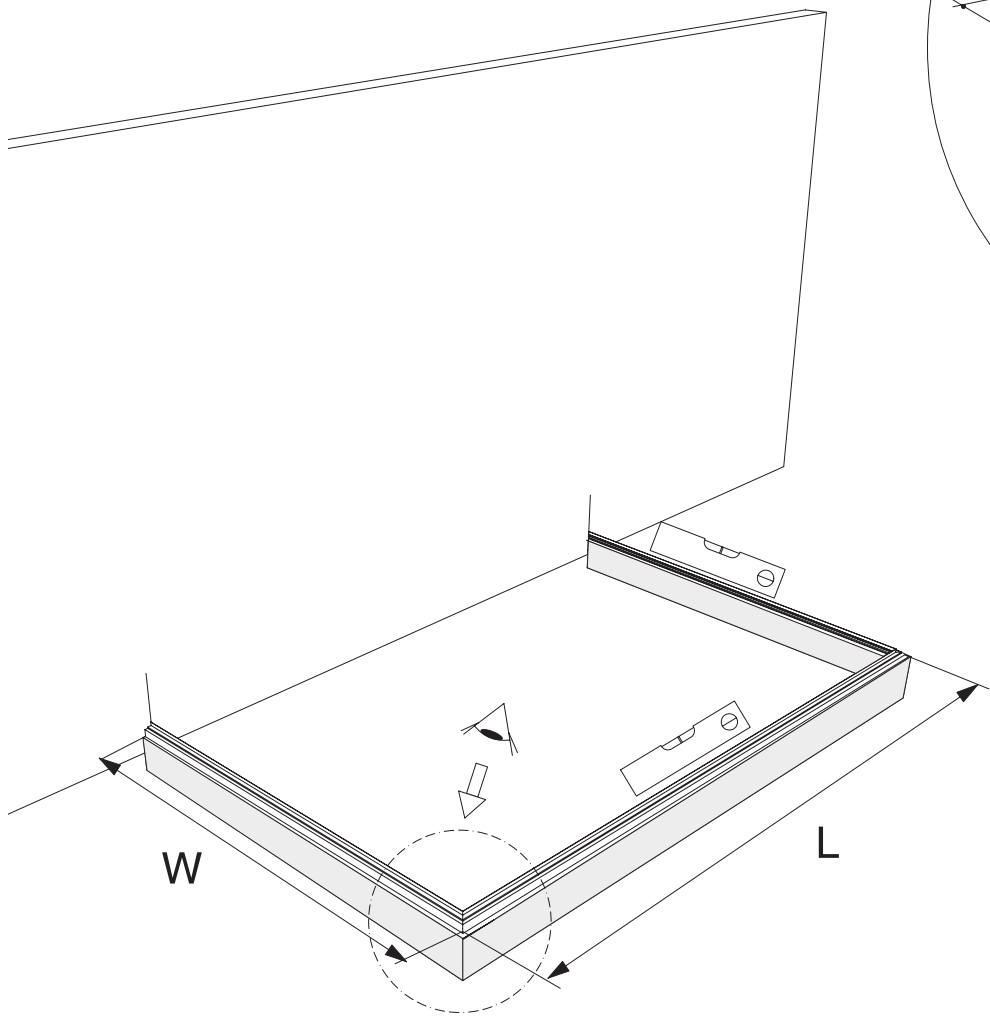
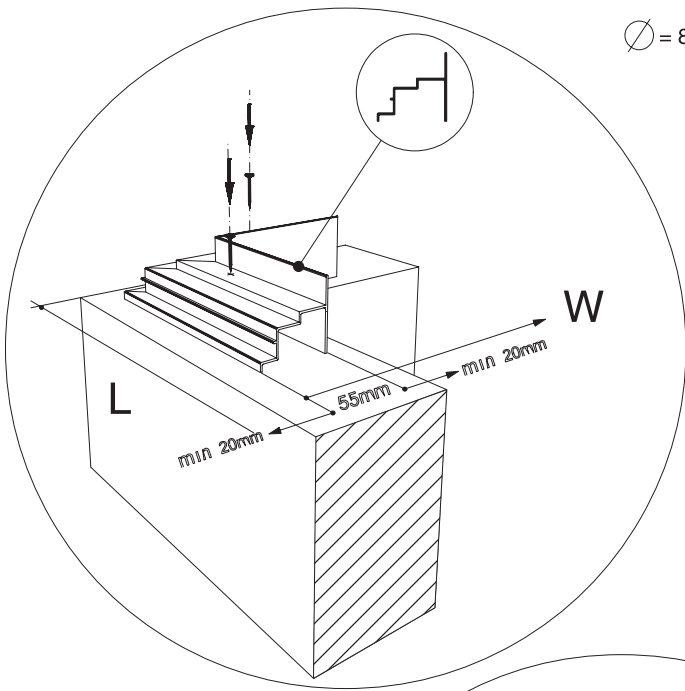
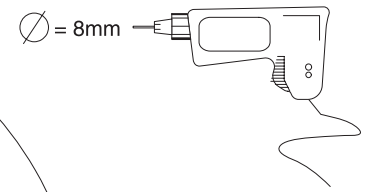


1633 = A
1833 = B

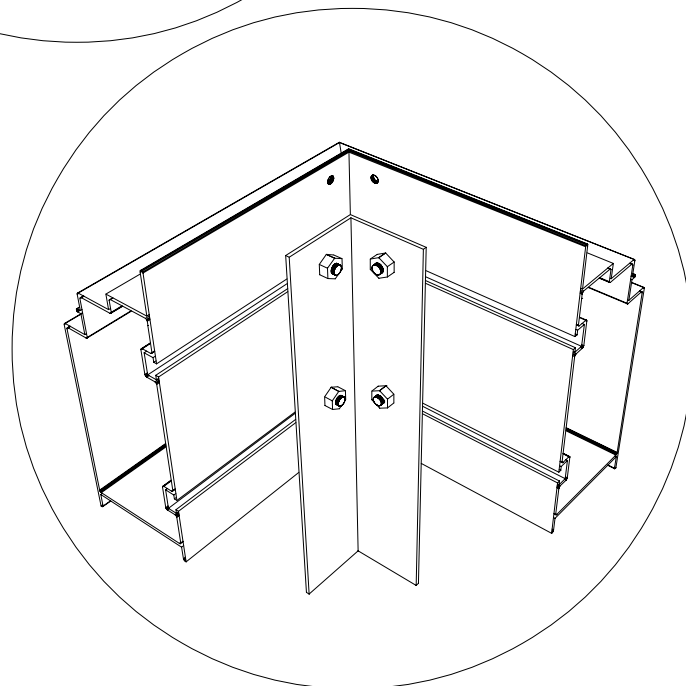
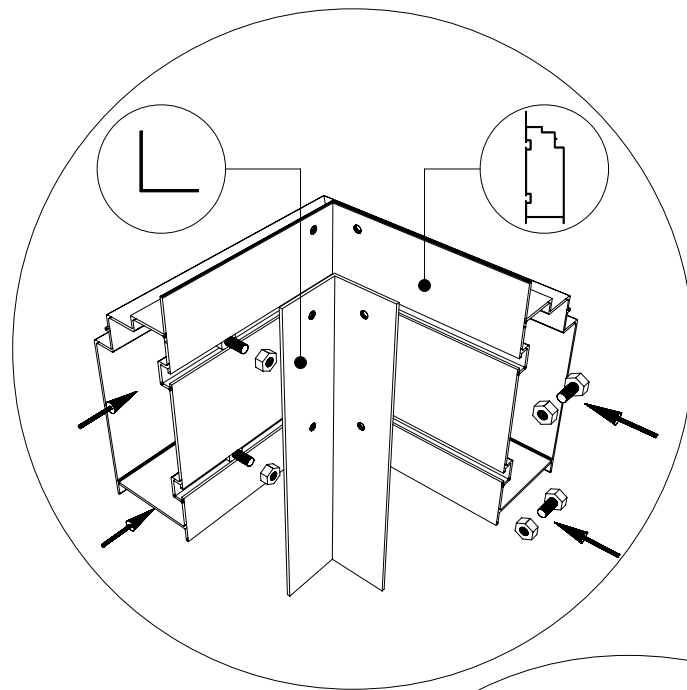
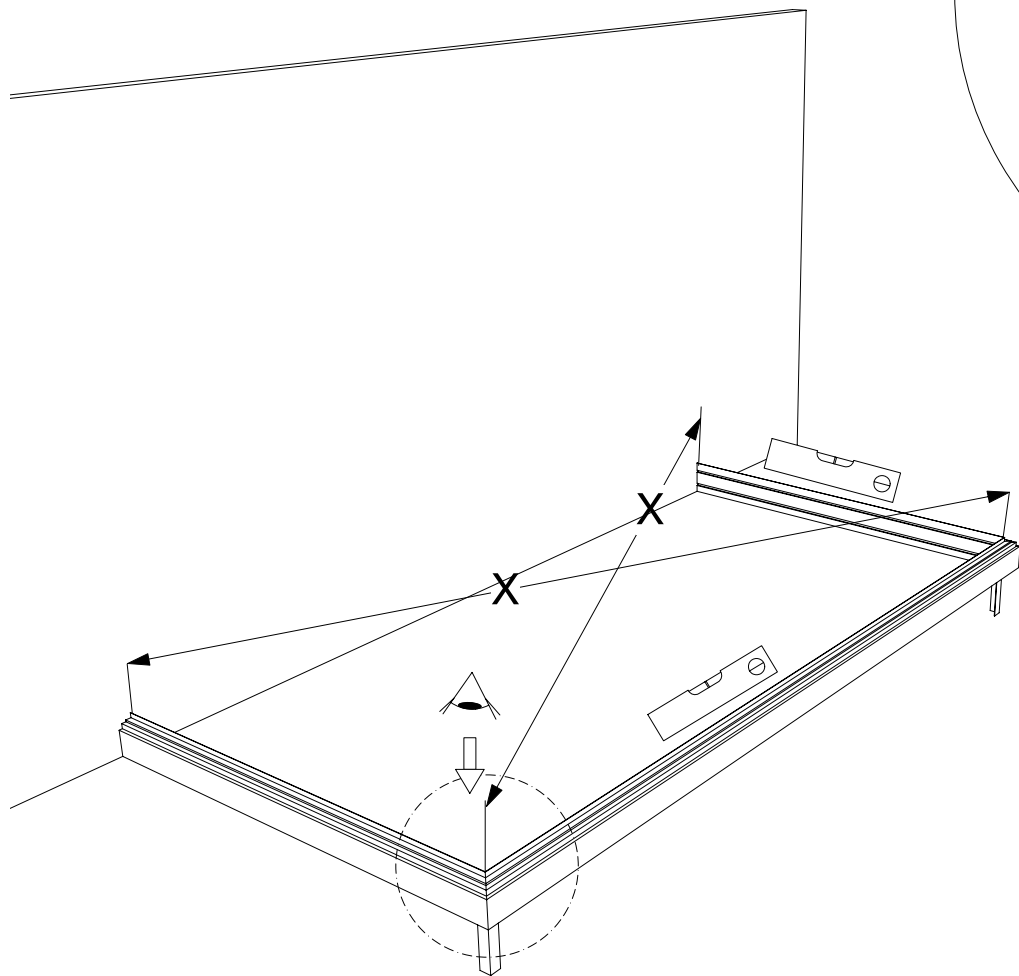


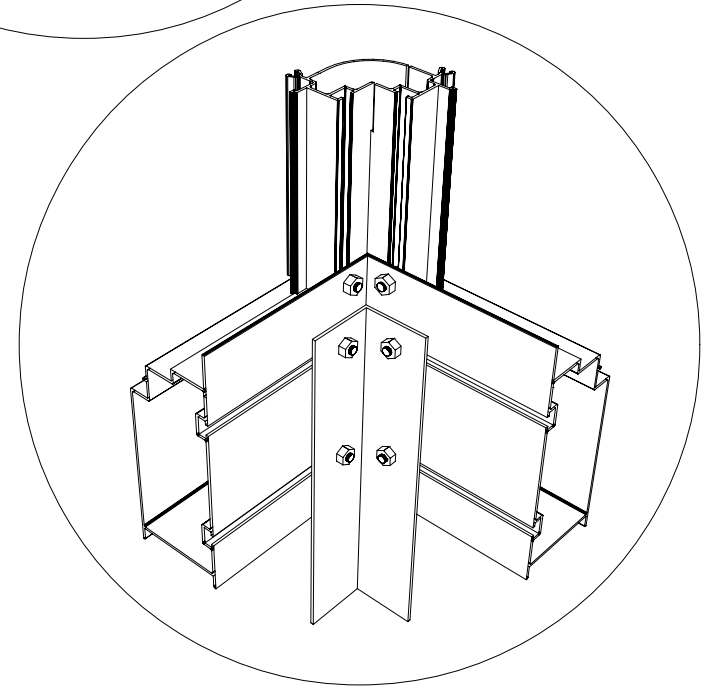
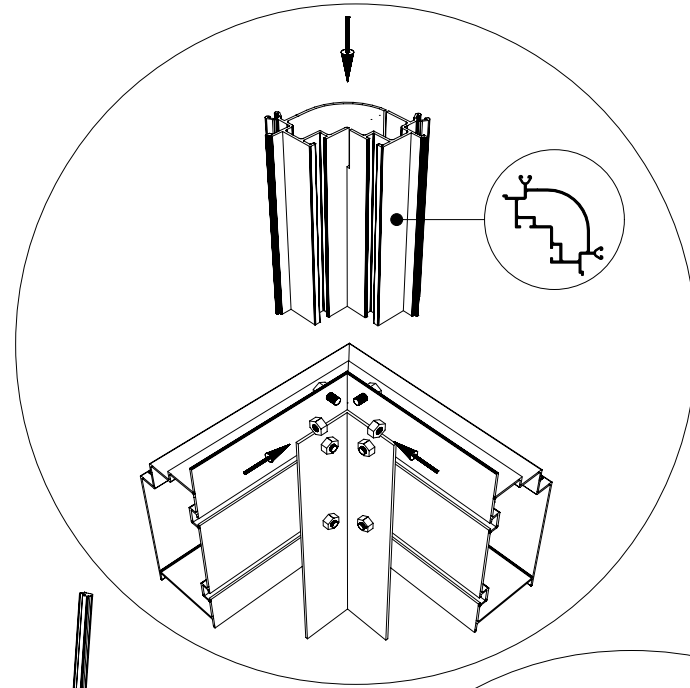
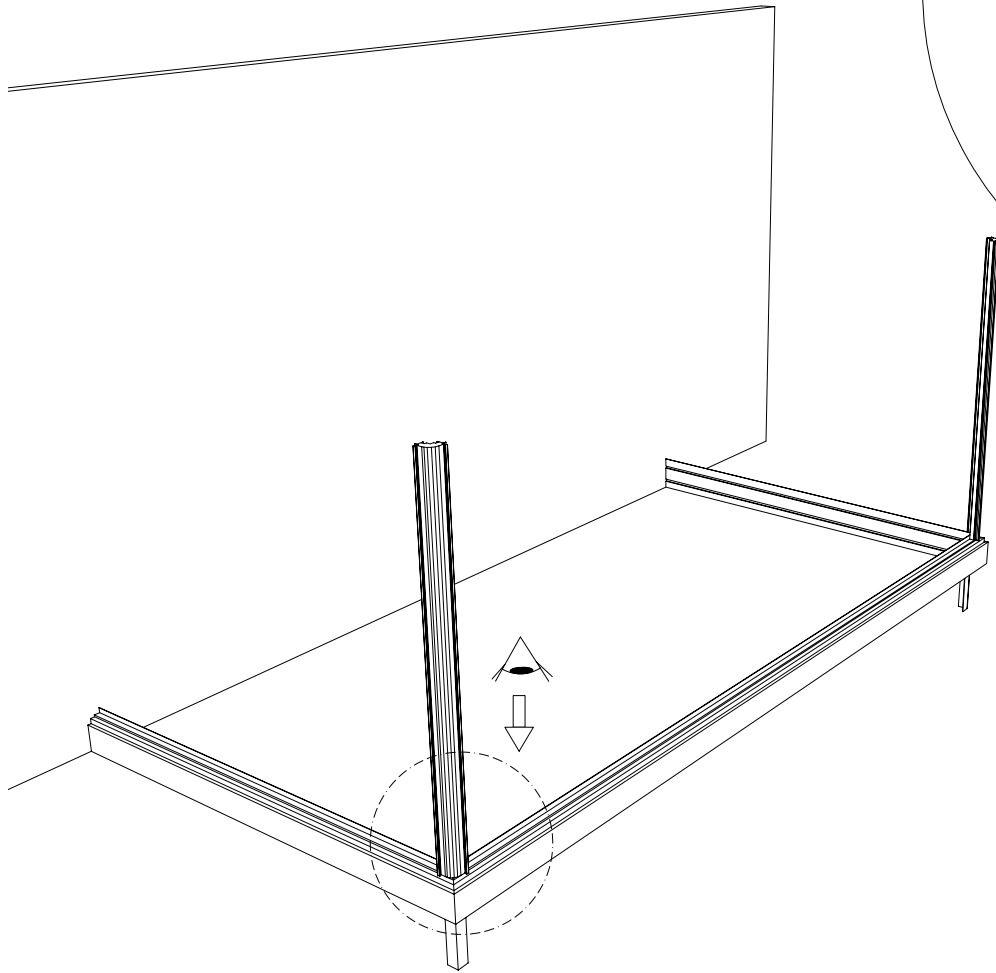
A	2,33 X	3,09	3,80	4,57	5,30	6,04	6,77	7,53	8,30	9,02
1-1A		2 x 2328	2 x 2328	2 x 2328	2 x 2328	2 x 2328	2 x 2328	2 x 2328	2 x 2328	2 x 2328
		1 x 3086	1 x 3821	1 x 4558	1 x 5296	1 x 6034	1 x 6769	1 x 7506	1 x 8243	1 x 9020
2-2-11°	(11°) (25°)	1 x 3086	1 x 3821	1 x 4558	1 x 5296	1 x 6034	1 x 6769	1 x 7506	1 x 8243	1 x 9020
3-11°	(11°) (25°)	1 x 3086	1 x 3821	1 x 4558	1 x 5296	1 x 6034	1 x 6769	1 x 7506	1 x 8243	1 x 9020
④		2 x 2241	2 x 2241	2 x 2241	2 x 2241	2 x 2241	2 x 2241	2 x 2241	2 x 2241	2 x 2241
⑤		2 x 1633	2 x 1633	2 x 1633	2 x 1633	2 x 1633	2 x 1633	2 x 1633	2 x 1633	2 x 1633
⑥	(11°)	2 x 2130	2 x 2130	2 x 2130	2 x 2130	2 x 2130	2 x 2130	2 x 2130	2 x 2130	2 x 2130
	(25°)	2 x 2571	2 x 2571	2 x 2571	2 x 2571	2 x 2571	2 x 2571	2 x 2571	2 x 2571	2 x 2571
		2 x 1633	2 x 1633	2 x 1633	2 x 1633	2 x 1633	2 x 1633	2 x 1633	2 x 1633	2 x 1633
⑦	(11°)	2 x 2312	2 x 2312	2 x 2312	2 x 2312	2 x 2312	2 x 2312	2 x 2312	2 x 2312	2 x 2312
	(25°)	2 x 2450	2 x 2450	2 x 2450	2 x 2450	2 x 2450	2 x 2450	2 x 2450	2 x 2450	2 x 2450
⑧		1 x 2236	1 x 2236	1 x 2236	1 x 2236	1 x 2236	1 x 2236	1 x 2236	1 x 2236	1 x 2236
⑨		1 x 2236	1 x 2236	1 x 2236	1 x 2236	1 x 2236	1 x 2236	1 x 2236	1 x 2236	1 x 2236
⑩	(11°)	2 x 236	2 x 236	2 x 236	2 x 236	2 x 236	2 x 236	2 x 236	2 x 236	2 x 236
	(25°)	2 x 590/295	2 x 590/295	2 x 590/295	2 x 590/295	2 x 590/295	2 x 590/295	2 x 590/295	2 x 590/295	2 x 590/295
		5 x 1633	6 x 1633	7 x 1633	8 x 1633	9 x 1633	10 x 1633	11 x 1633	12 x 1633	13 x 1633
⑫		6 x 1796	6 x 1796	6 x 1796	6 x 1796	6 x 1796	6 x 1796	6 x 1796	6 x 1796	6 x 1796
⑬		1 x 1730	1 x 1730	1 x 1730	1 x 1730	1 x 1730	1 x 1730	1 x 1730	1 x 1730	1 x 1730
⑭		1 x	1 x	1 x	1 x	1 x	1 x	1 x	1 x	1 x
R2	(11°)	50 l/m	55 l/m	60 l/m	65 l/m	67 l/m	70 l/m	73 l/m	78 l/m	85 l/m
	(25°)	67 l/m	70 l/m	70 l/m	74 l/m	76 l/m	81 l/m	86 l/m	90 l/m	96 l/m
⑮		1 x	1 x	1 x	1 x	1 x	1 x	1 x	1 x	1 x
⑯		2 x 500	2 x 500	2 x 500	2 x 500	2 x 500	2 x 500	2 x 500	3 x 500	3 x 500
	(11°)	2 x 2230	2 x 2230	2 x 2230	2 x 2230	2 x 2230	2 x 2230	2 x 2230	2 x 2230	2 x 2230
	(25°)	2 x 2571	2 x 2571	2 x 2671	2 x 2671	2 x 2671	2 x 2671	2 x 2671	2 x 2671	2 x 2671
⑰		1 x 770	2 x 770	2 x 770	3 x 770	3 x 770	3 x 770	4 x 770	4 x 770	5 x 770
⑱		2 x 807	4 x 807	4 x 807	6 x 807	6 x 807	6 x 807	8 x 807	8 x 807	10 x 807
⑳		1 x 732	2 x 732	2 x 732	3 x 732	3 x 732	3 x 732	4 x 732	4 x 732	5 x 732
㉑		1 x 704	2 x 704	2 x 704	3 x 704	3 x 704	3 x 704	4 x 704	4 x 704	5 x 704
㉒		1 x	2 x	2 x	3 x	3 x	3 x	4 x	4 x	5 x
R7		1 x 695	2 x 695	2 x 695	3 x 695	3 x 695	3 x 695	4 x 695	4 x 695	5 x 695
㉓		1 x 732	2 x 732	2 x 732	3 x 732	3 x 732	3 x 732	4 x 732	4 x 732	5 x 732
㉔	(11°)	3 x 2312	4 x 2312	5 x 2312	6 x 2312	7 x 2312	8 x 2312	9 x 2312	10 x 2312	11 x 2312
	(25°)	3 x 2450	4 x 2450	5 x 2450	6 x 2450	7 x 2450	8 x 2450	9 x 2450	10 x 2450	11 x 2450

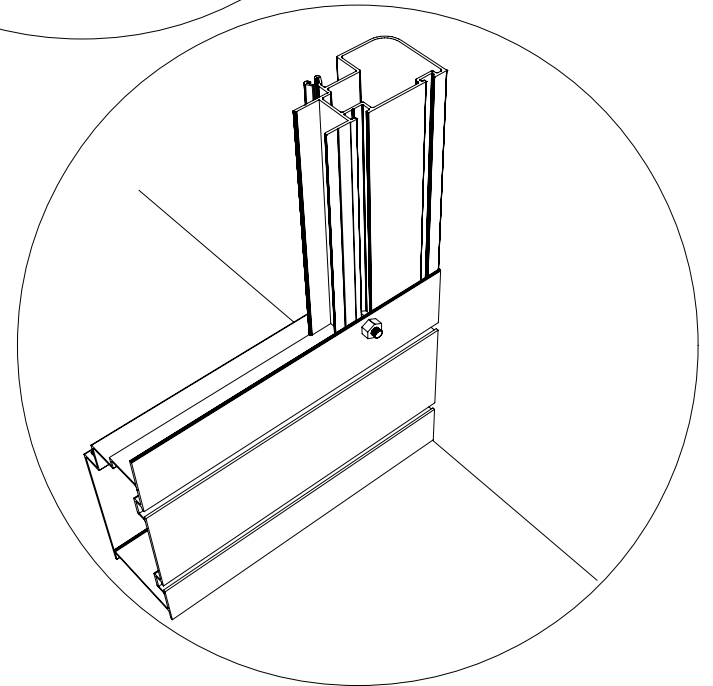
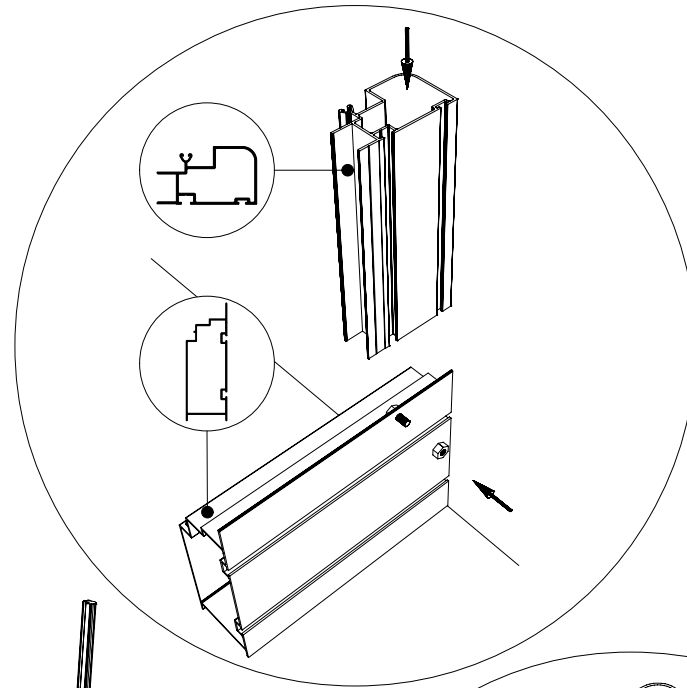
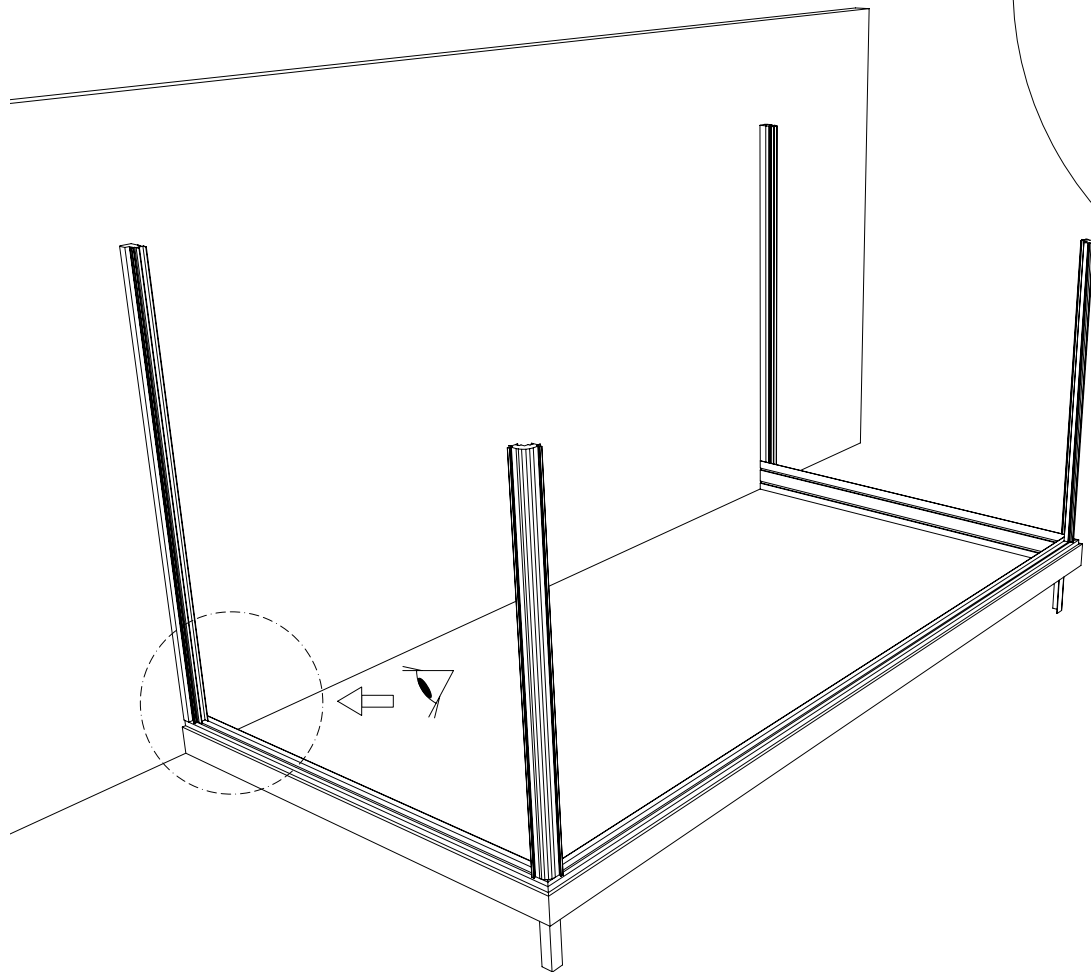
B	2,33 X	3,09	3,80	4,57	5,30	6,04	6,77	7,53	8,30	9,02
1-1A		2 x 2328	2 x 2328	2 x 2328	2 x 2328	2 x 2328	2 x 2328	2 x 2328	2 x 2328	2 x 2328
		1 x 3086	1 x 3821	1 x 4558	1 x 5296	1 x 6034	1 x 6769	1 x 7506	1 x 8243	1 x 9020
2-2-11°	(11°) (25°)	1 x 3086	1 x 3821	1 x 4558	1 x 5296	1 x 6034	1 x 6769	1 x 7506	1 x 8243	1 x 9020
3-11°	(11°) (25°)	1 x 3086	1 x 3821	1 x 4558	1 x 5296	1 x 6034	1 x 6769	1 x 7506	1 x 8243	1 x 9020
④		2 x 2241	2 x 2241	2 x 2241	2 x 2241	2 x 2241	2 x 2241	2 x 2241	2 x 2241	2 x 2241
⑤		2 x 1833	2 x 1833	2 x 1833	2 x 1833	2 x 1833	2 x 1833	2 x 1833	2 x 1833	2 x 1833
⑥	(11°)	2 x 2330	2 x 2330	2 x 2330	2 x 2330	2 x 2330	2 x 2330	2 x 2330	2 x 2330	2 x 2330
	(25°)	2 x 2771	2 x 2771	2 x 2771	2 x 2771	2 x 2771	2 x 2771	2 x 2771	2 x 2771	2 x 2771
		2 x 1833	2 x 1833	2 x 1833	2 x 1833	2 x 1833	2 x 1833	2 x 1833	2 x 1833	2 x 1833
⑦	(11°)	2 x 2312	2 x 2312	2 x 2312	2 x 2312	2 x 2312	2 x 2312	2 x 2312	2 x 2312	2 x 2312
	(25°)	2 x 2450	2 x 2450	2 x 2450	2 x 2450	2 x 2450	2 x 2450	2 x 2450	2 x 2450	2 x 2450
⑧		1 x 2236	1 x 2236	1 x 2236	1 x 2236	1 x 2236	1 x 2236	1 x 2236	1 x 2236	1 x 2236
⑨		1 x 2236	1 x 2236	1 x 2236	1 x 2236	1 x 2236	1 x 2236	1 x 2236	1 x 2236	1 x 2236
⑩	(11°)	2 x 236	2 x 236	2 x 236	2 x 236	2 x 236	2 x 236	2 x 236	2 x 236	2 x 236
	(25°)	2 x 590/295	2 x 590/295	2 x 590/295	2 x 590/295	2 x 590/295	2 x 590/295	2 x 590/295	2 x 590/295	2 x 590/295
		5 x 1833	6 x 1833	7 x 1833	8 x 1833	9 x 1833	10 x 1833	11 x 1833	12 x 1833	13 x 1833
⑫		6 x 1984	6 x 1984	6 x 1984	6 x 1984	6 x 1984	6 x 1984	6 x 1984	6 x 1984	6 x 1984
⑬		1 x 1930	1 x 1930	1 x 1930	1 x 1930	1 x 1930	1 x 1930	1 x 1930	1 x 1930	1 x 1930
⑭		1 x	1 x	1 x	1 x	1 x	1 x	1 x	1 x	1 x
R⑫	(11°)	67 l/m	70 l/m	72 l/m	74 l/m	76 l/m	81 l/m	83 l/m	85 l/m	97 l/m
	(25°)	67 l/m	70 l/m	72 l/m	74 l/m	76 l/m	81 l/m	83 l/m	85 l/m	97 l/m
⑮		1 x	1 x	1 x	1 x	1 x	1 x	1 x	1 x	1 x
⑯		2 x 500	2 x 500	2 x 500	2 x 500	2 x 500	2 x 500	2 x 500	3 x 500	3 x 500
	(11°)	2 x 2530	2 x 2530	2 x 2530	2 x 2530	2 x 2530	2 x 2530	2 x 2530	2 x 2530	2 x 2530
	(25°)	2 x 2871	2 x 2871	2 x 2871	2 x 2871	2 x 2871	2 x 2871	2 x 2871	2 x 2871	2 x 2871
⑰		1 x 770	2 x 770	2 x 770	3 x 770	3 x 770	3 x 770	4 x 770	4 x 770	5 x 770
⑱		2 x 807	4 x 807	4 x 807	6 x 807	6 x 807	6 x 807	8 x 807	8 x 807	10 x 807
⑳		1 x 732	2 x 732	2 x 732	3 x 732	3 x 732	3 x 732	4 x 732	4 x 732	5 x 732
㉑		1 x 704	2 x 704	2 x 704	3 x 704	3 x 704	3 x 704	4 x 704	4 x 704	5 x 704
㉒		1 x	2 x	2 x	3 x	3 x	3 x	4 x	4 x	5 x
R⑰		1 x 695	2 x 695	2 x 695	3 x 695	3 x 695	3 x 695	4 x 695	4 x 695	5 x 695
⑳		1 x 732	2 x 732	2 x 732	3 x 732	3 x 732	3 x 732	4 x 732	4 x 732	5 x 732
㉓	(11°)	3 x 2312	4 x 2312	5 x 2312	6 x 2312	7 x 2312	8 x 2312	9 x 2312	10 x 2312	11 x 2312
	(25°)	3 x 2450	4 x 2450	5 x 2450	6 x 2450	7 x 2450	8 x 2450	9 x 2450	10 x 2450	11 x 2450

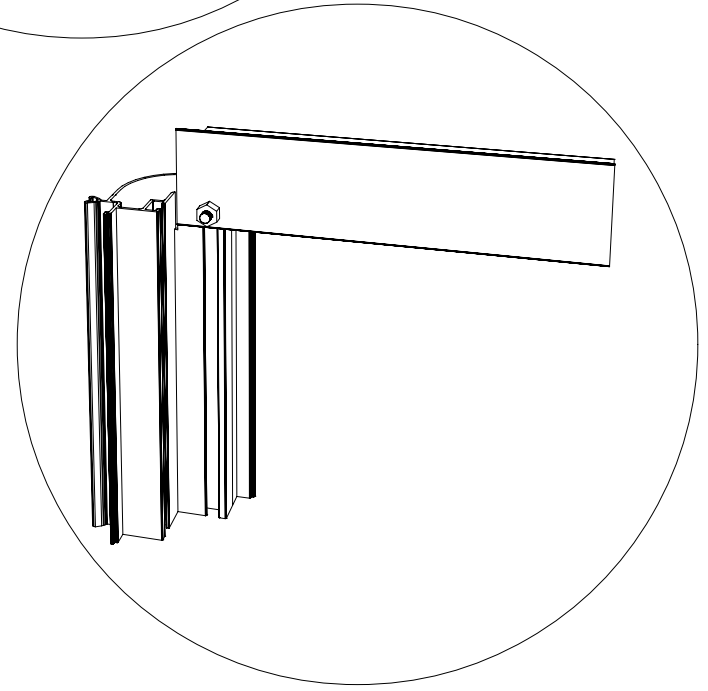
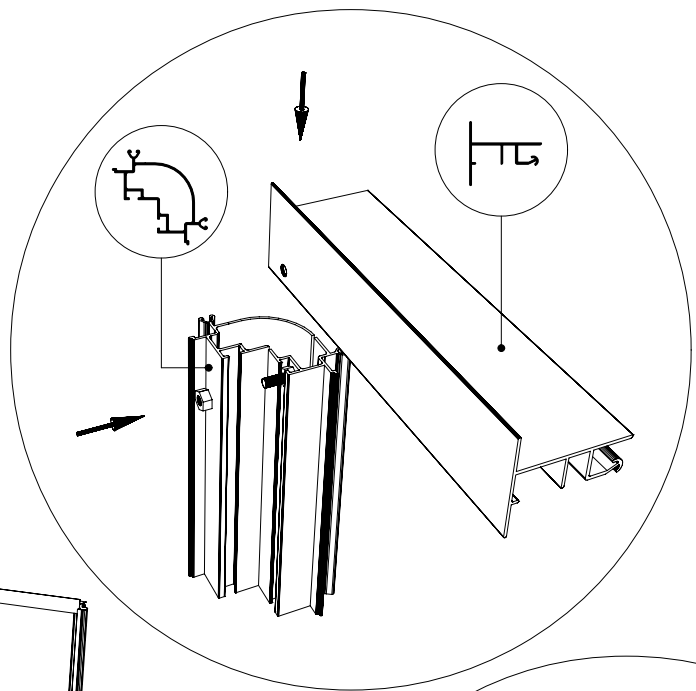
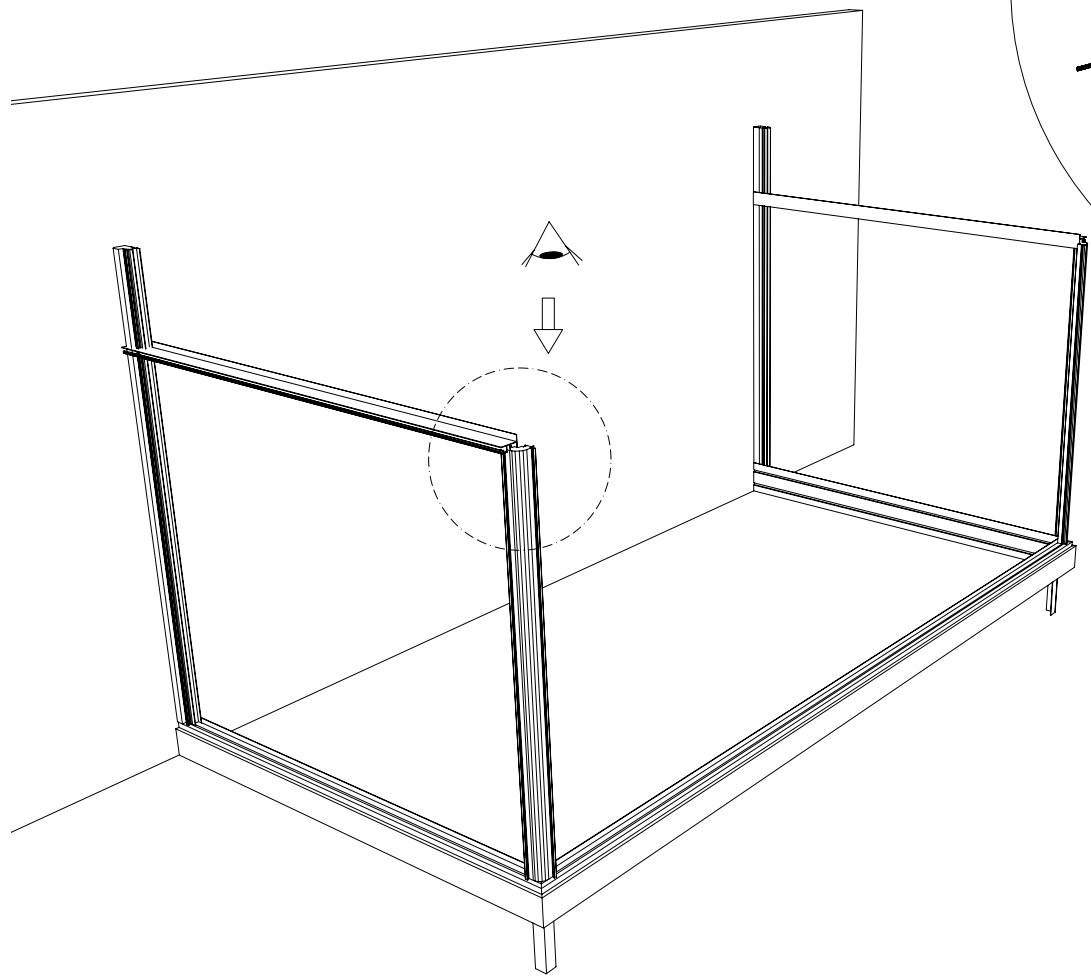


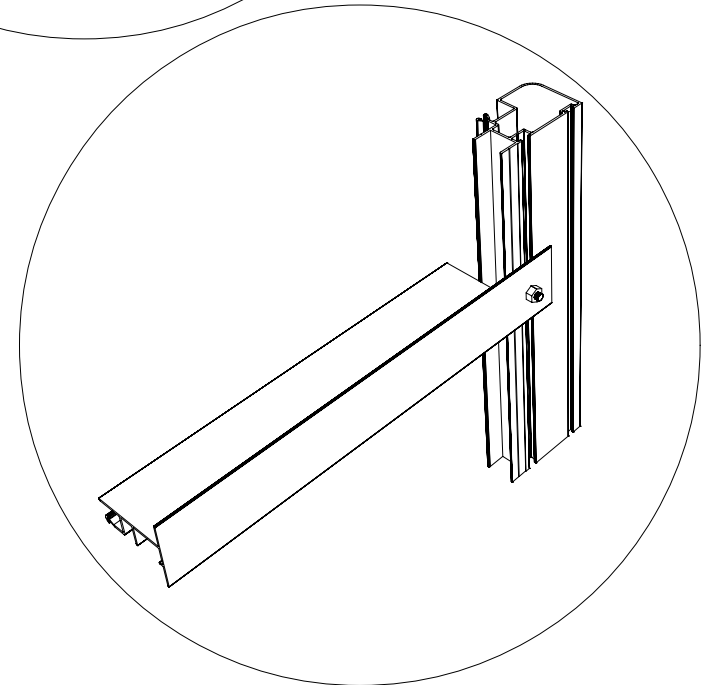
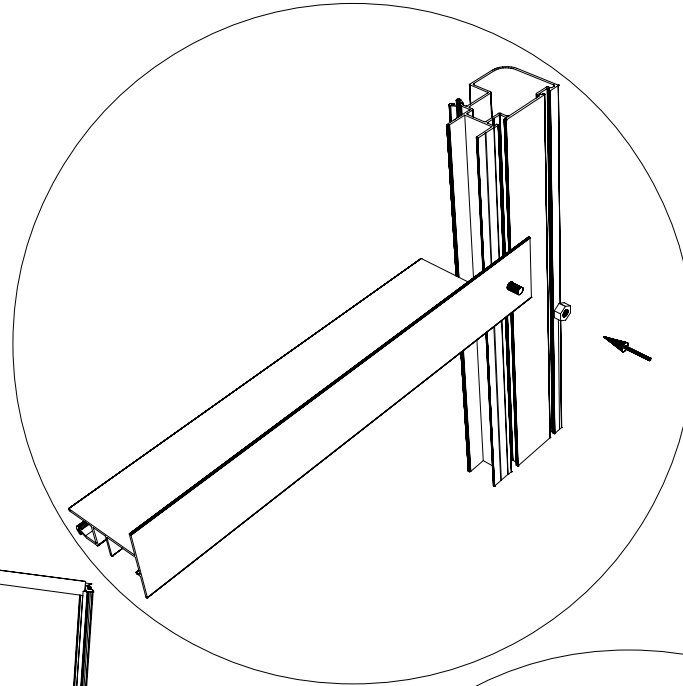
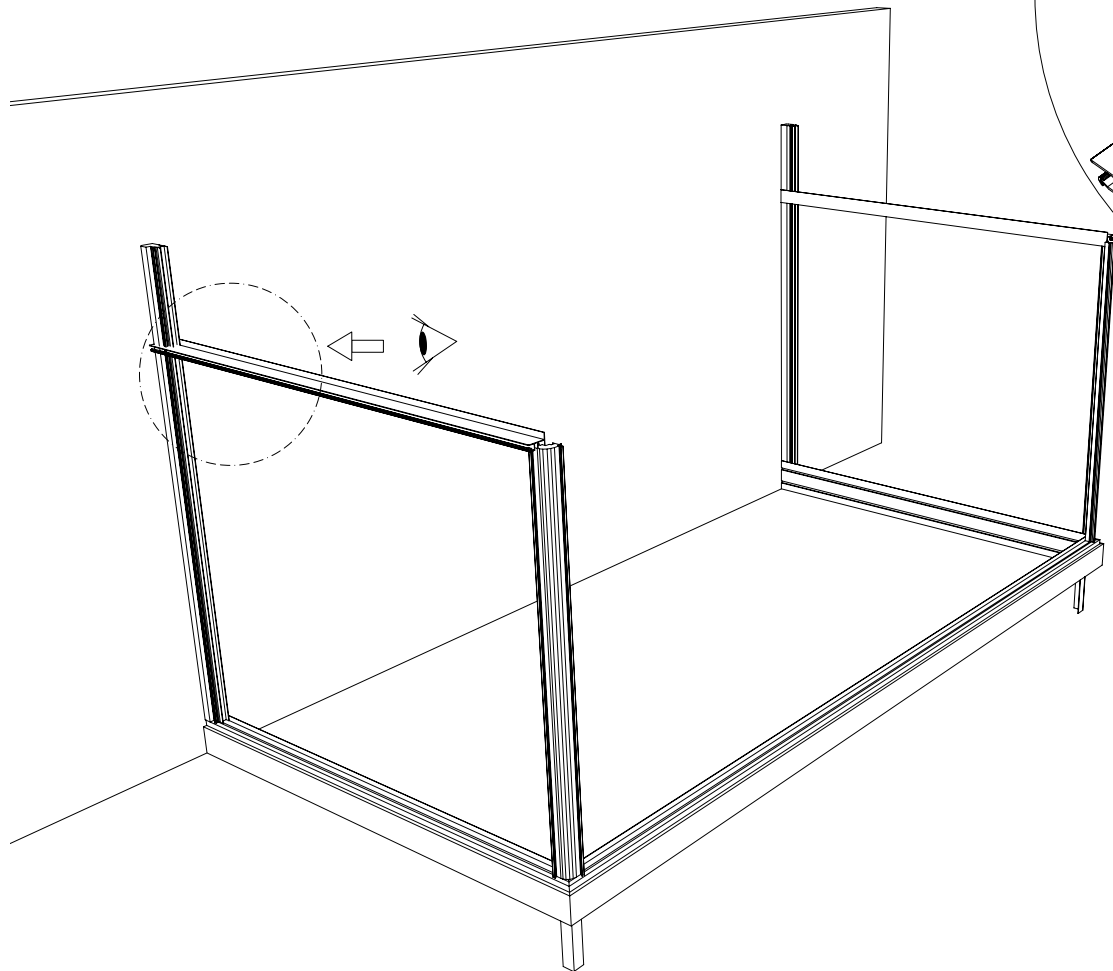
W	L
2330	2347
	3086
	3821
	4550
	5296
	6034
	6769
	7506
	8243
	8980

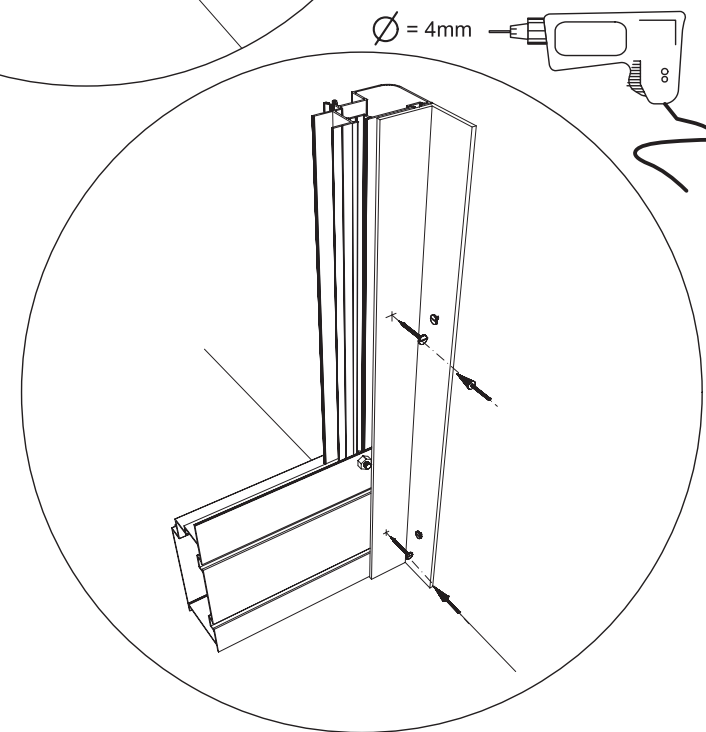
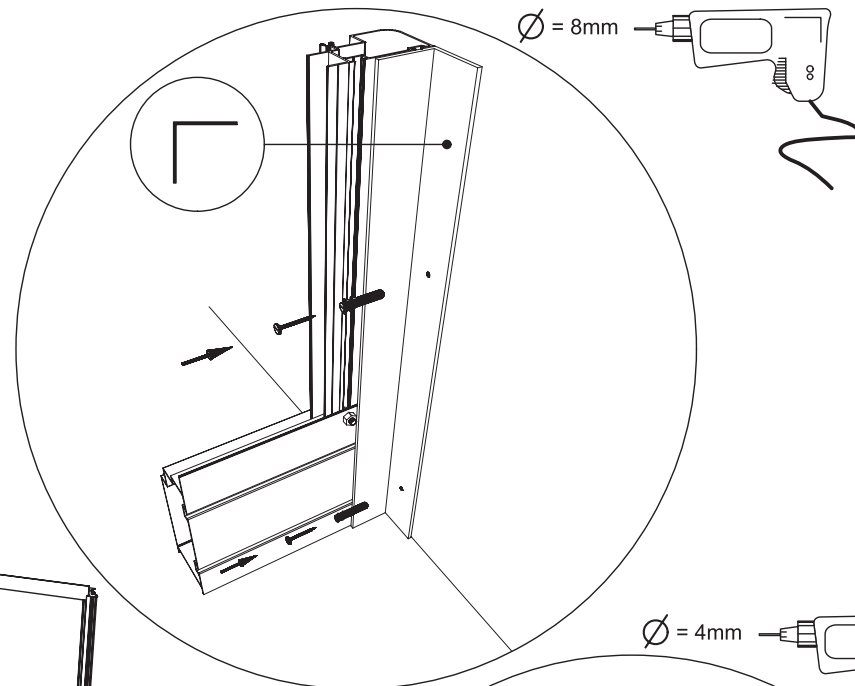
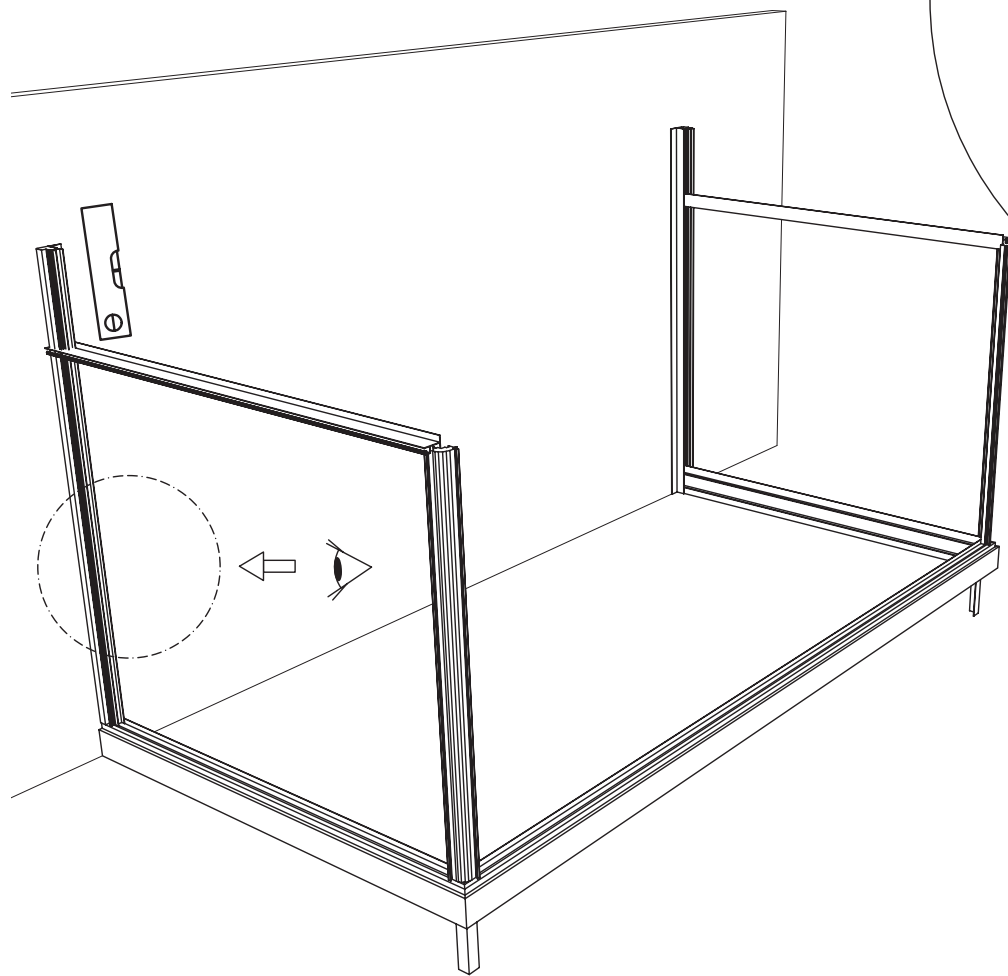


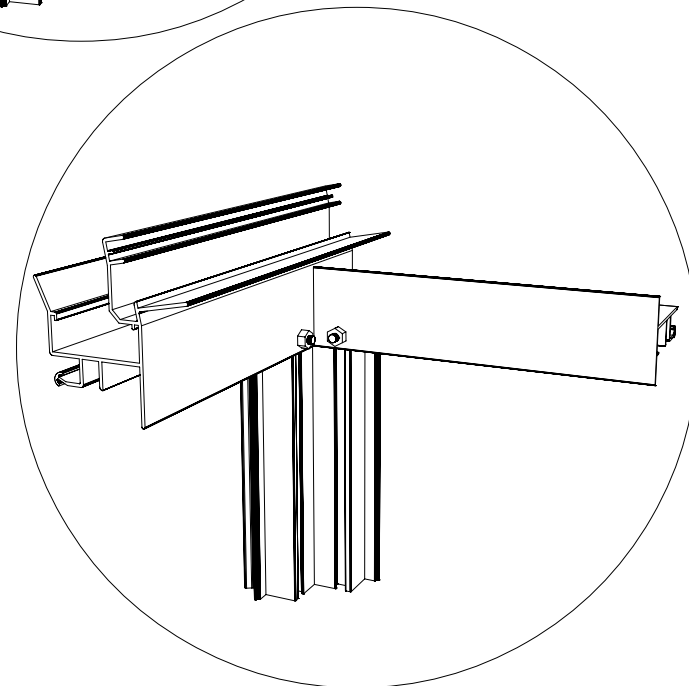
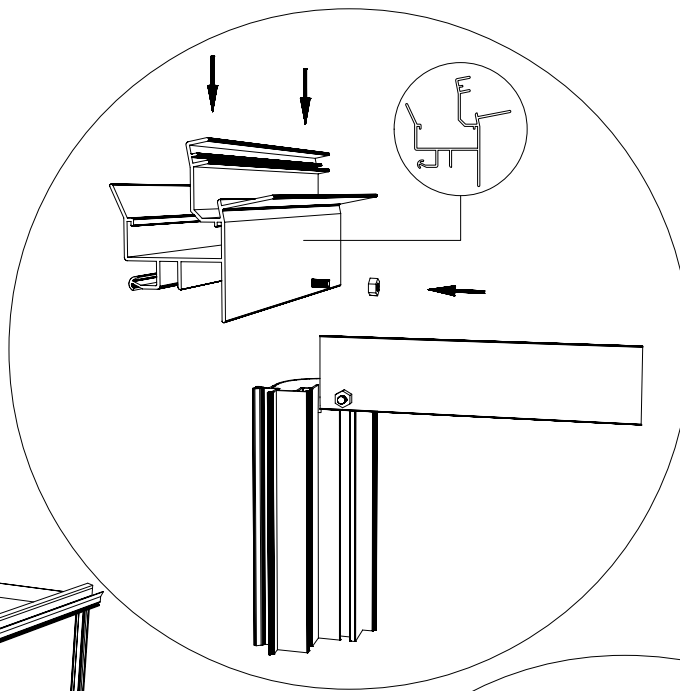
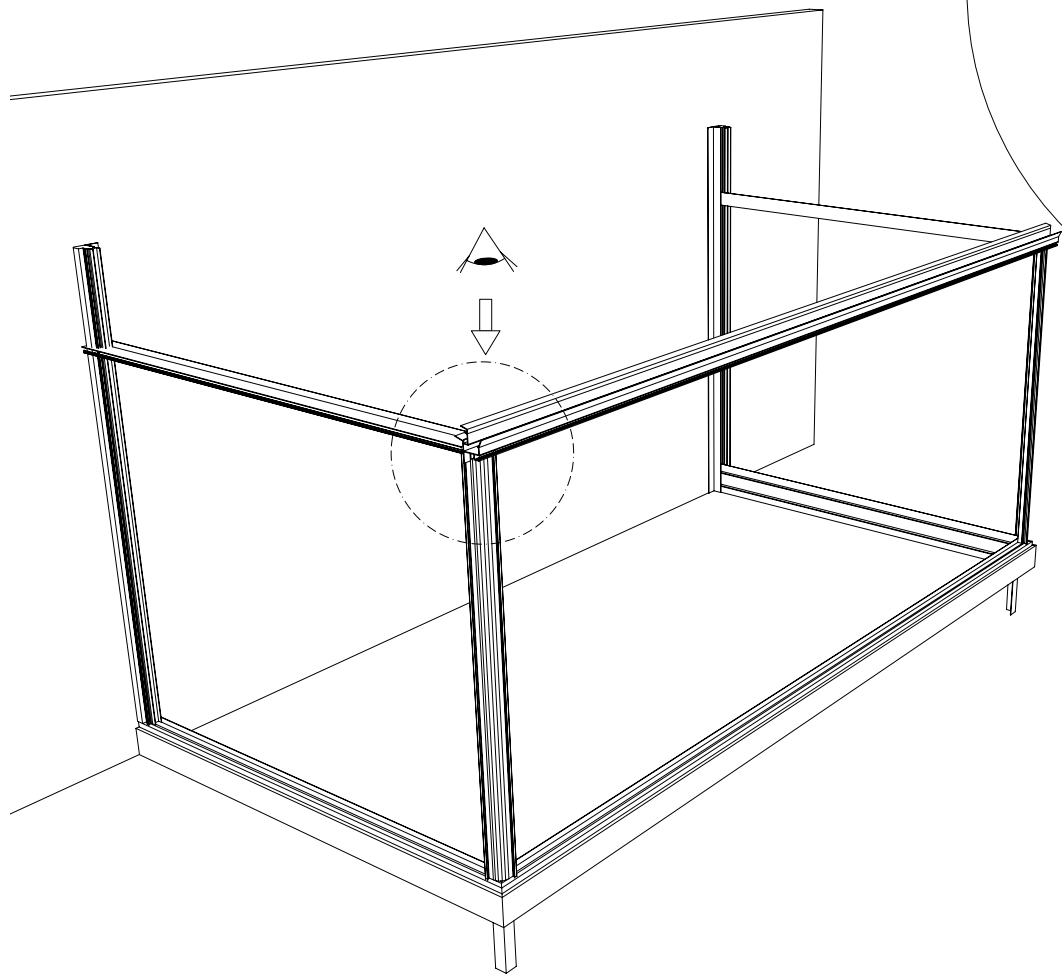


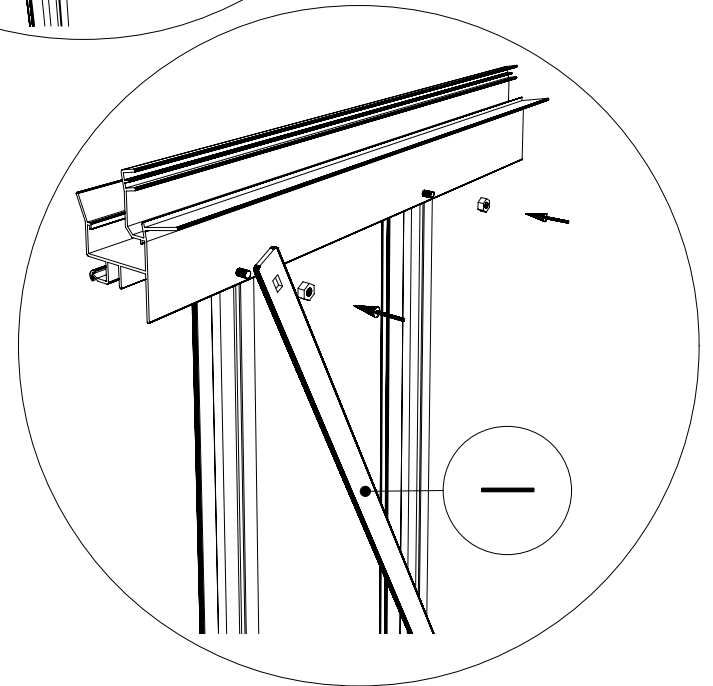
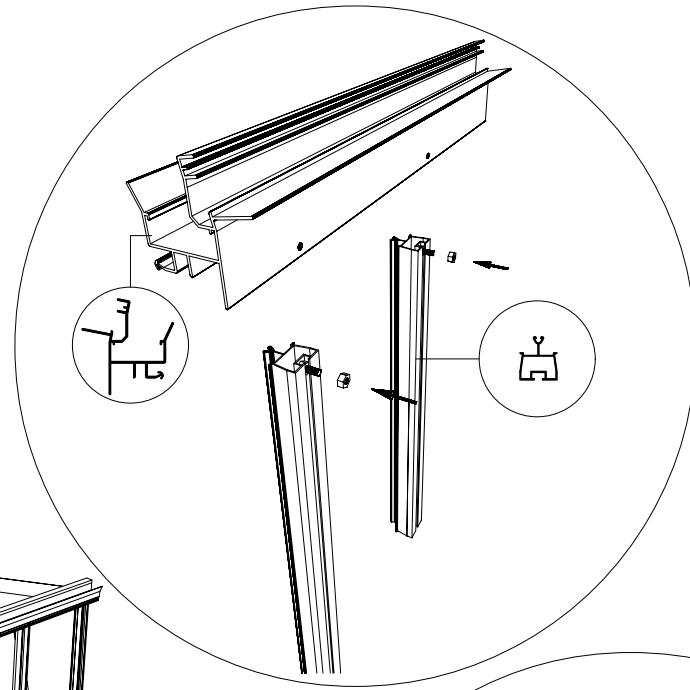
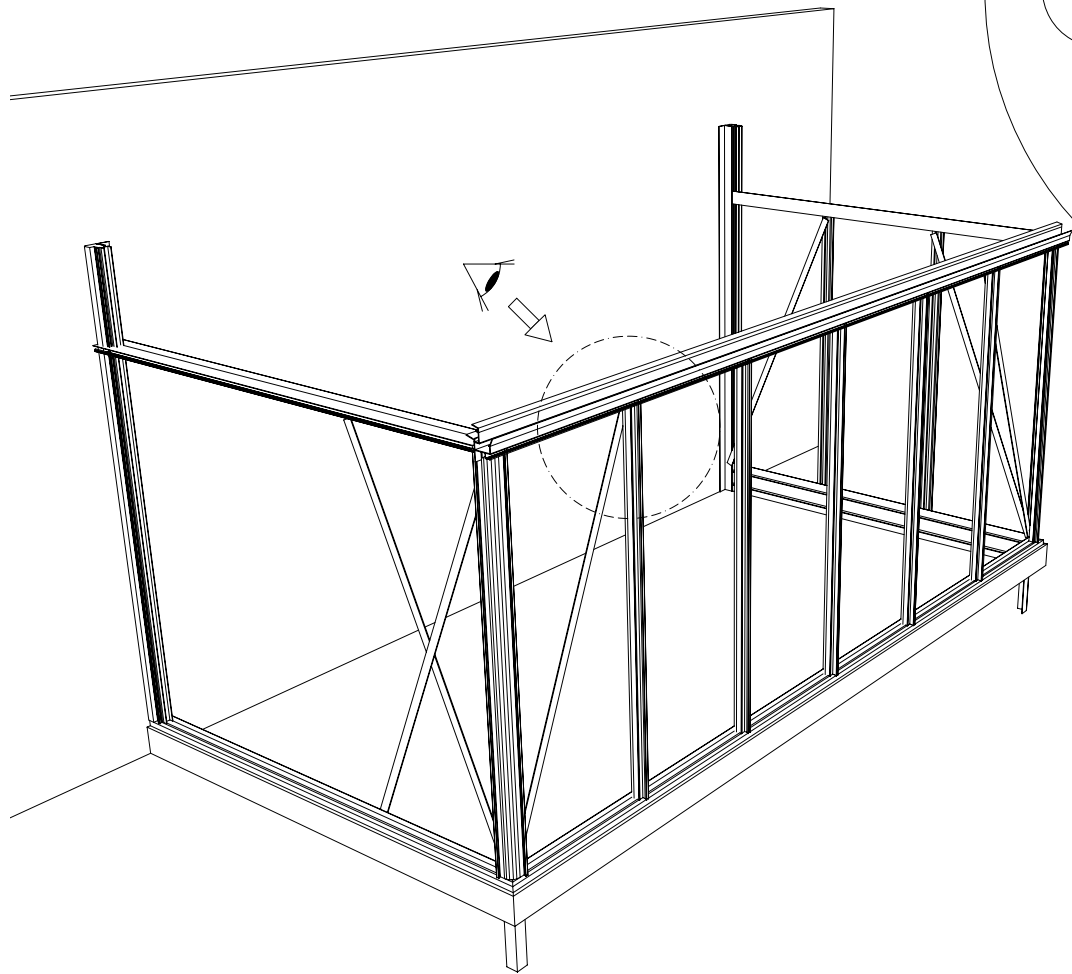


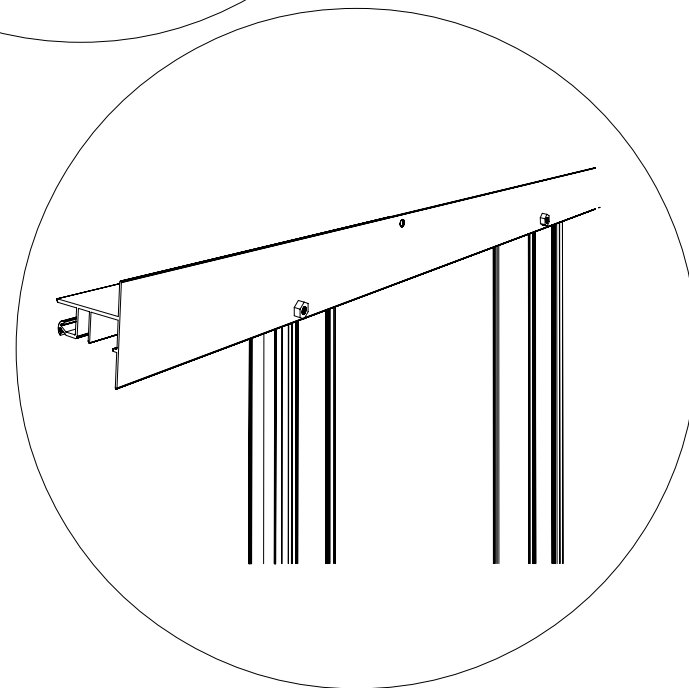
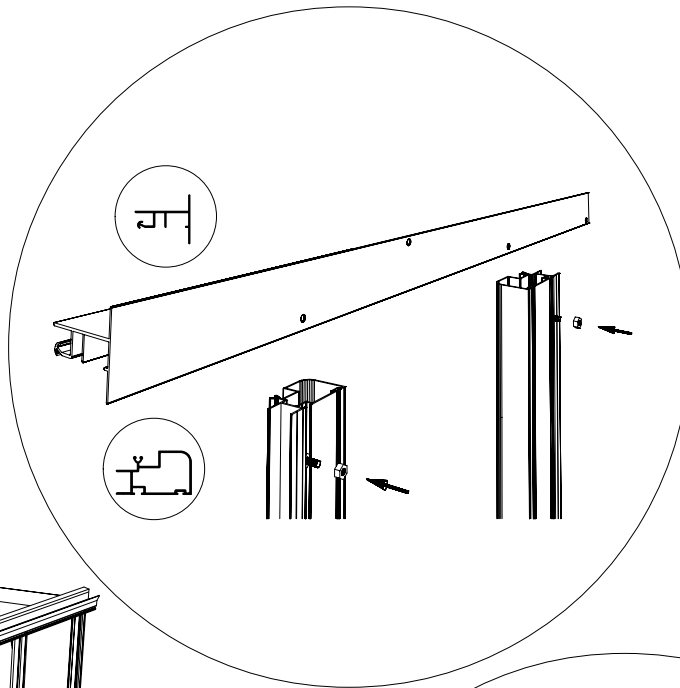
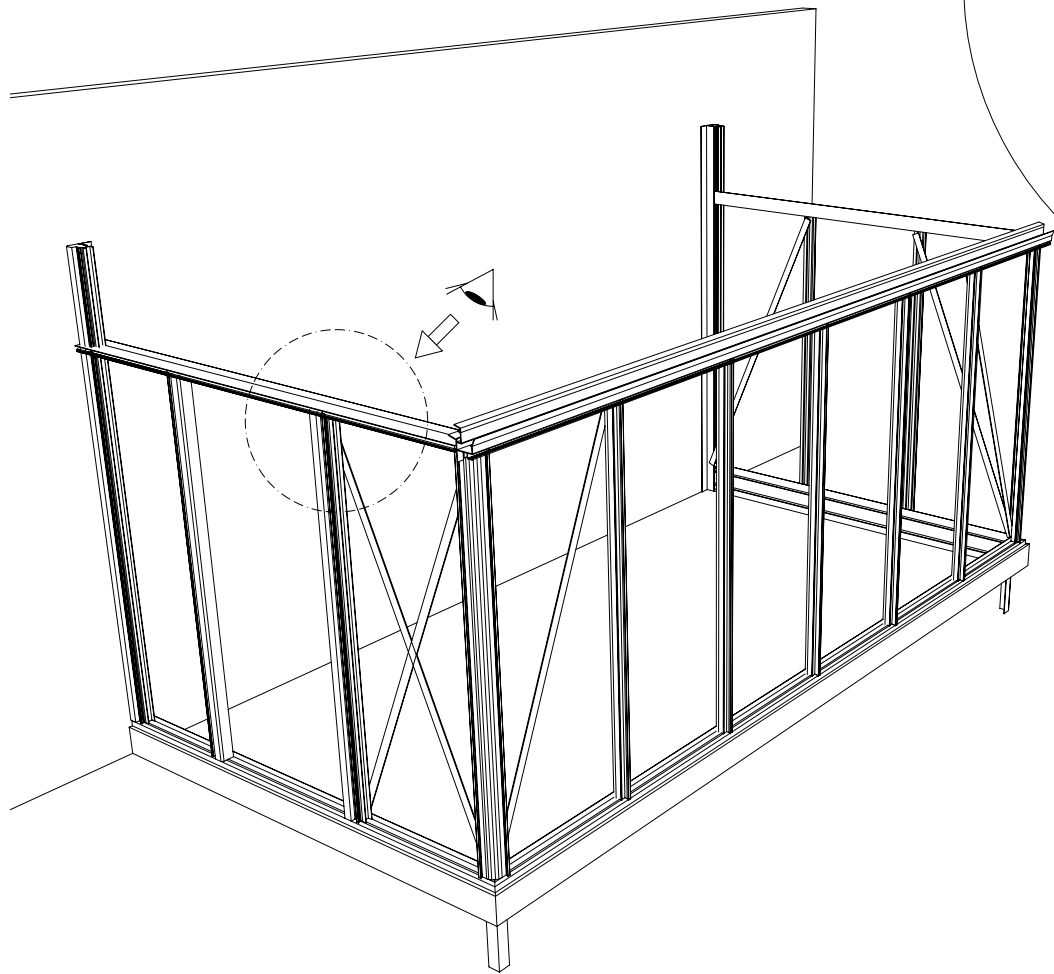


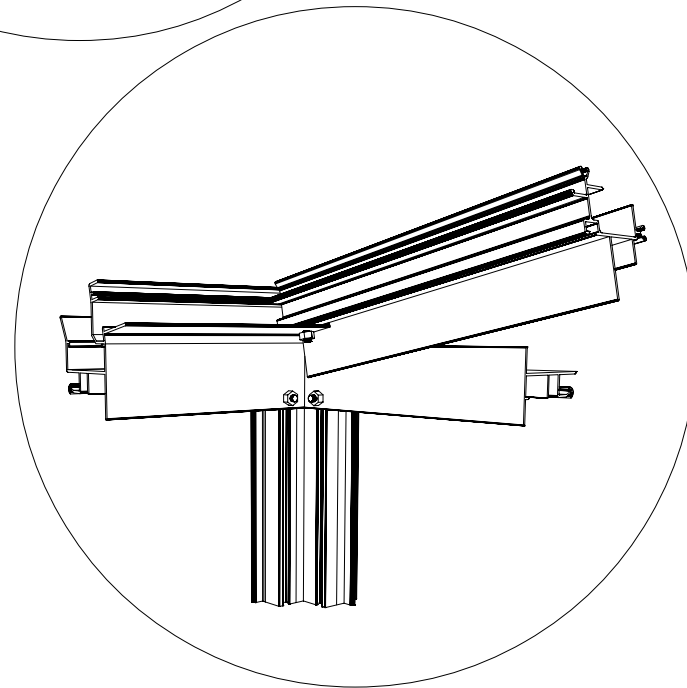
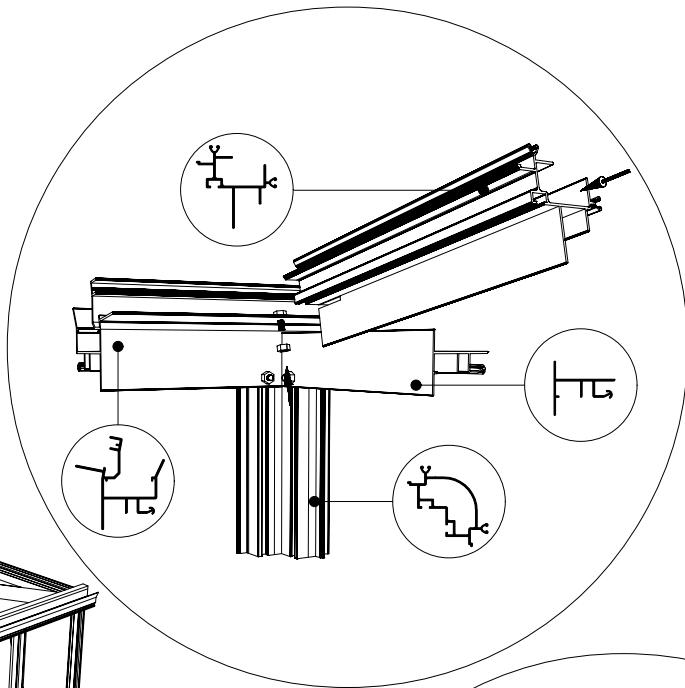
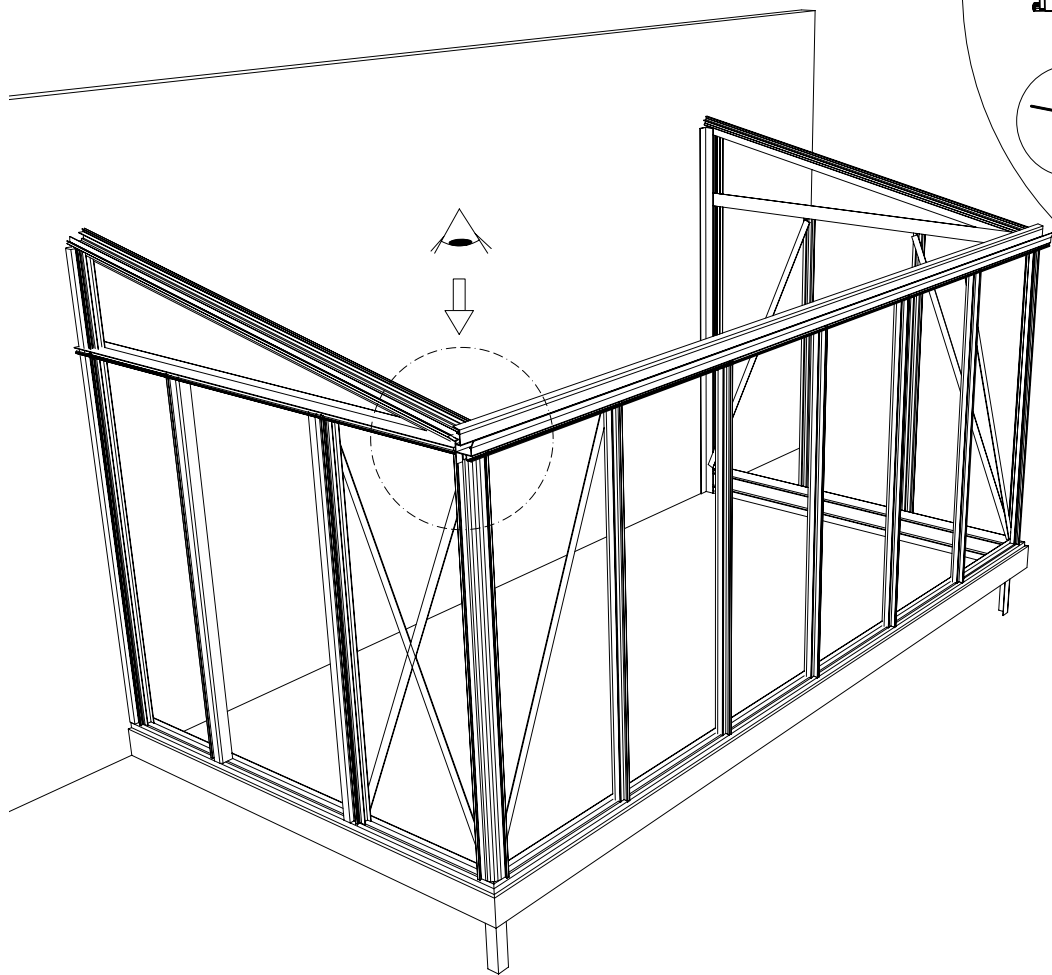


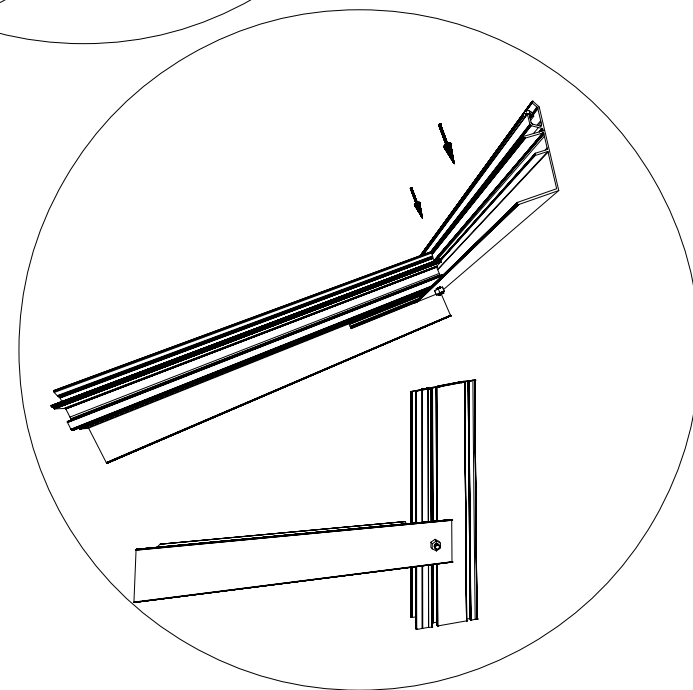
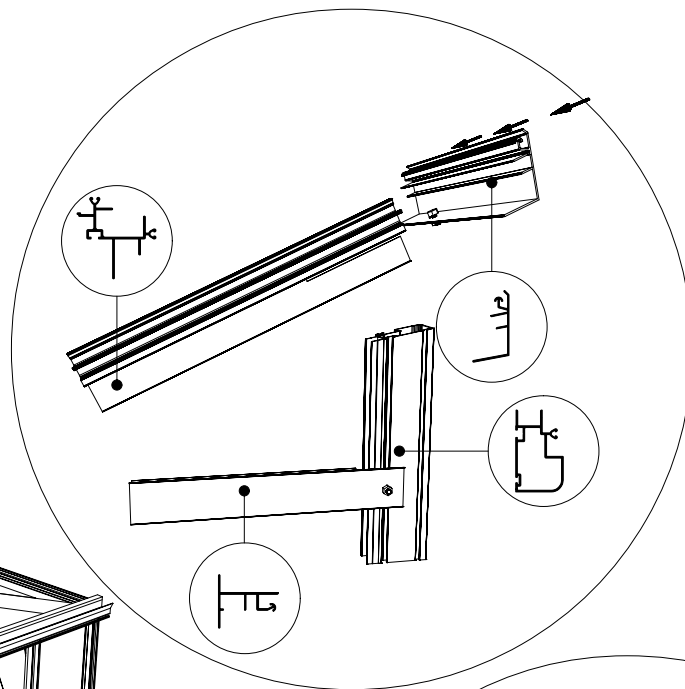
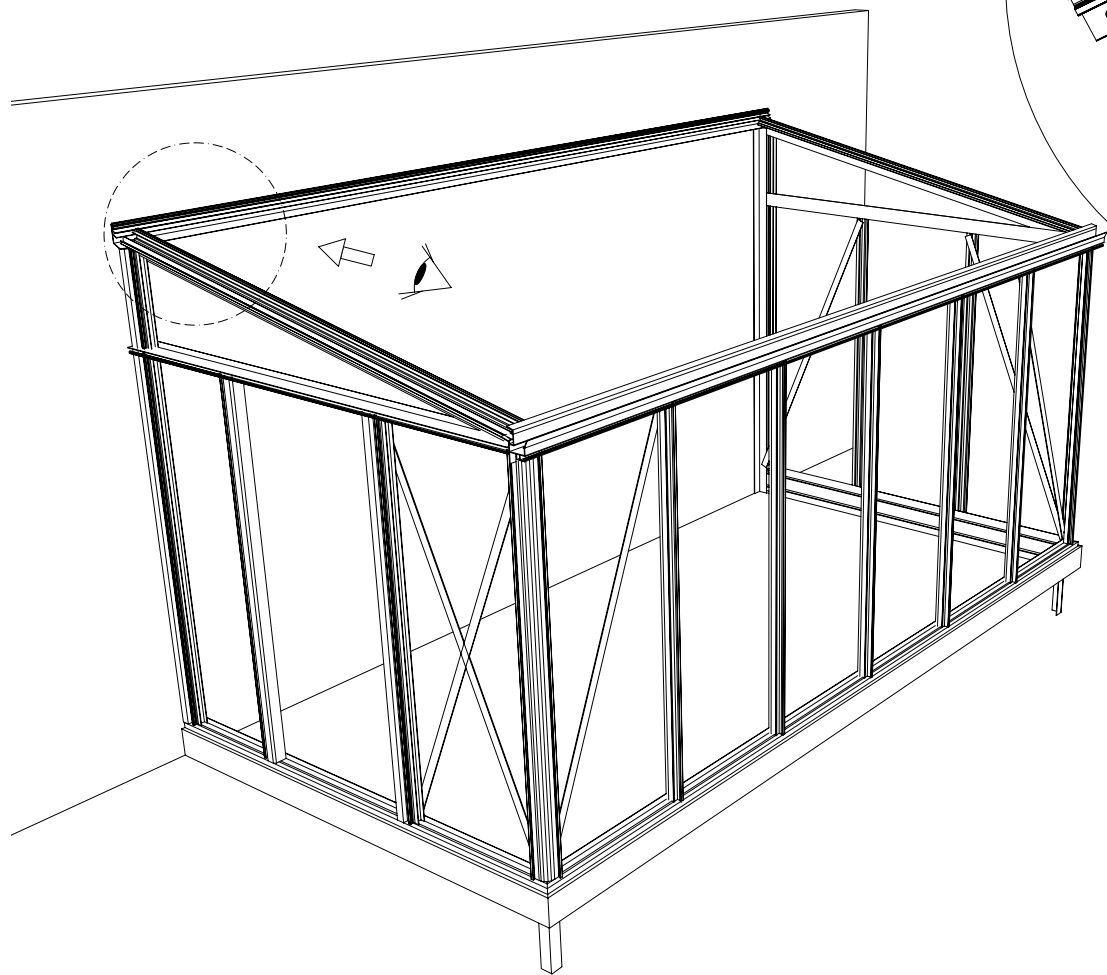


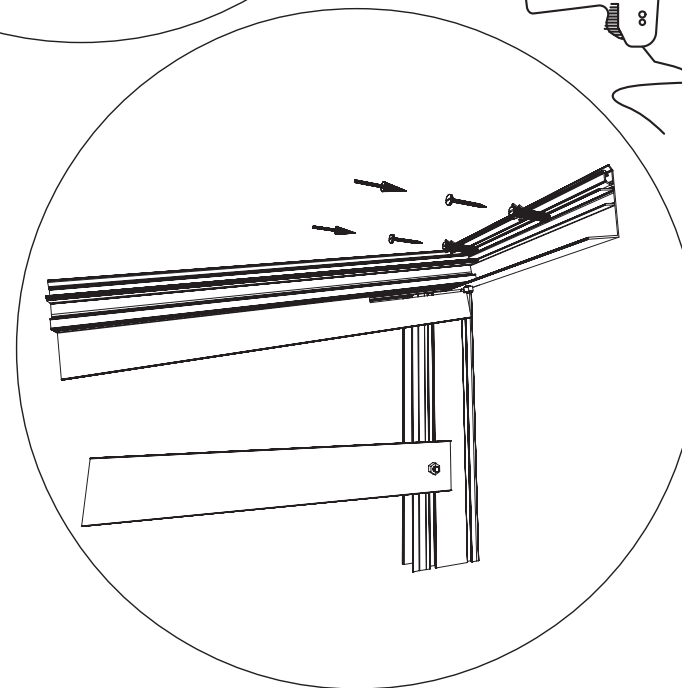
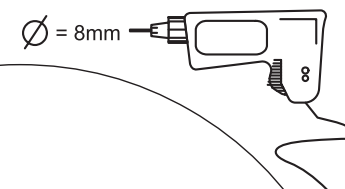
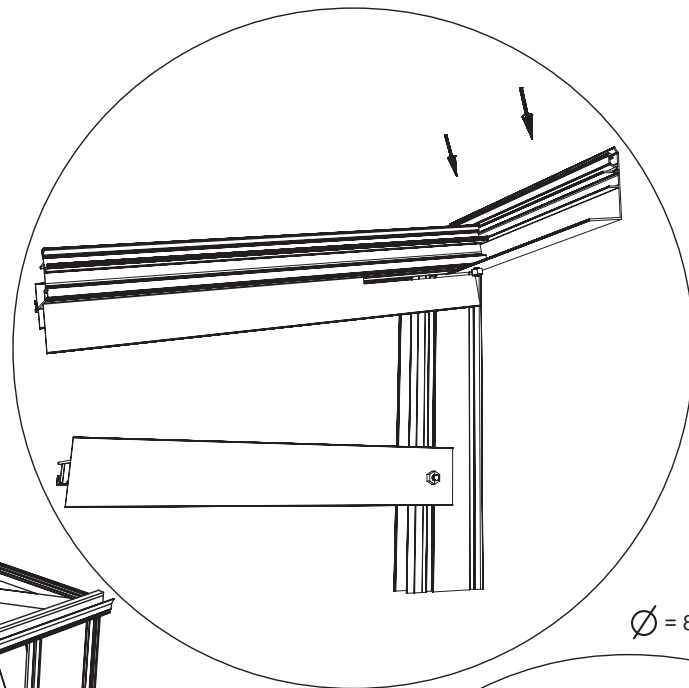
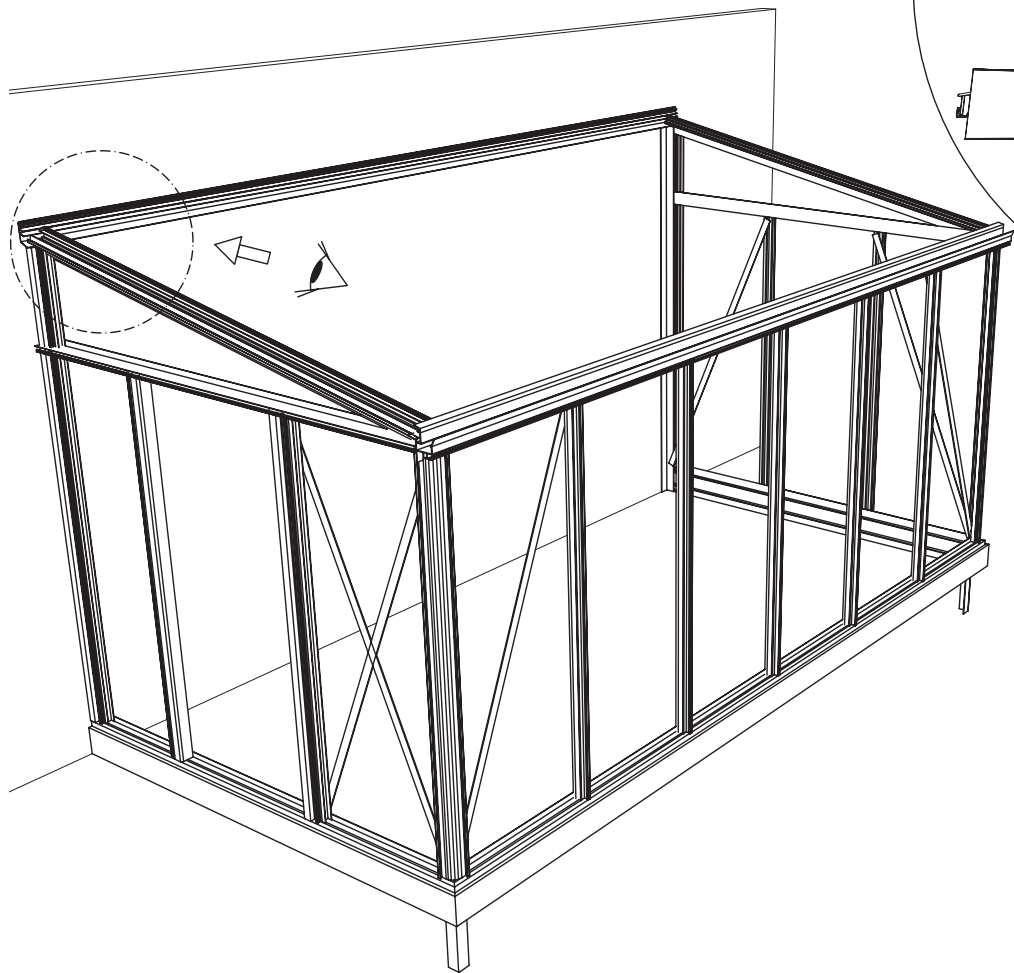


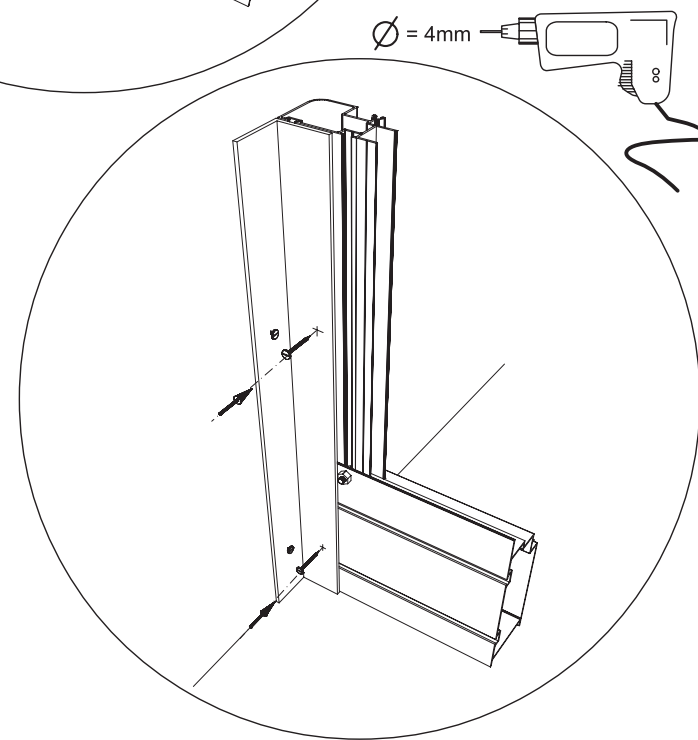
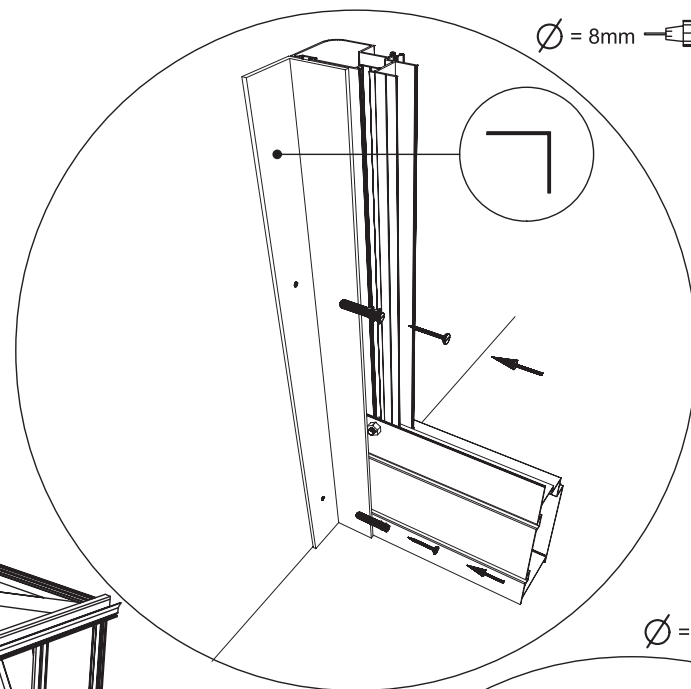
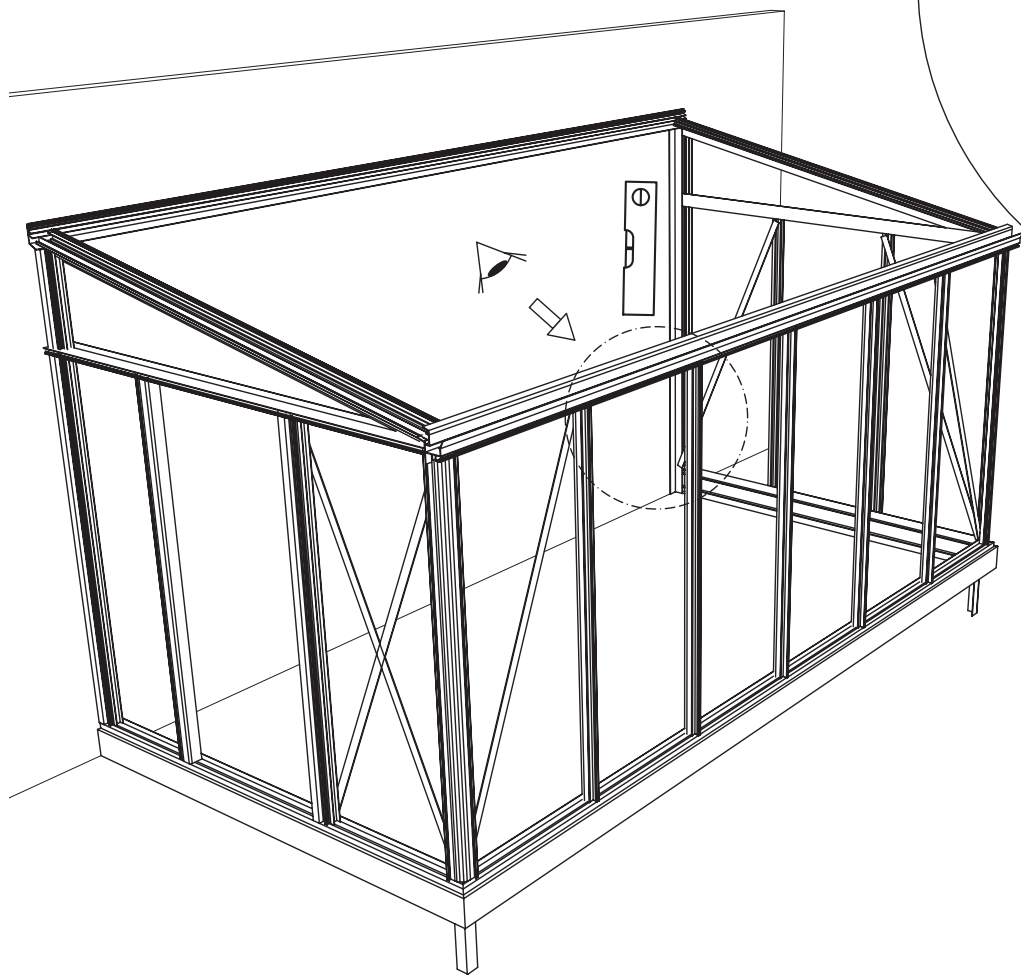


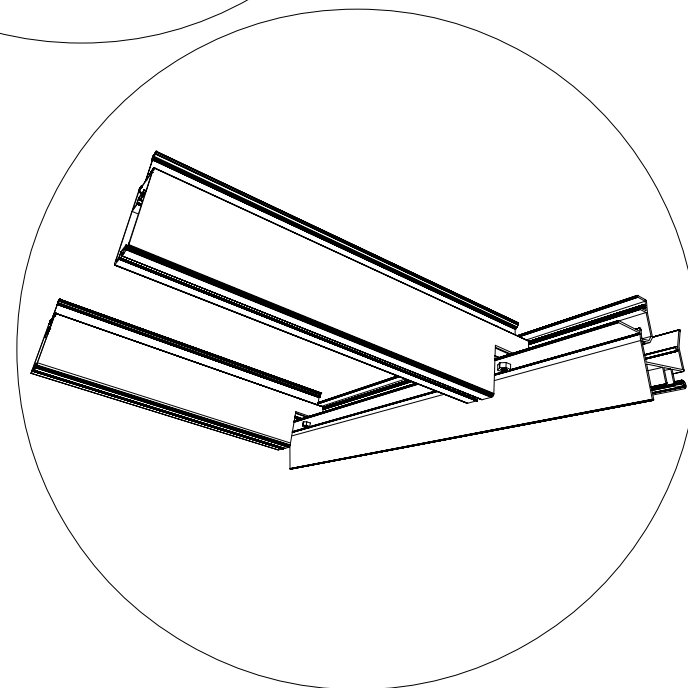
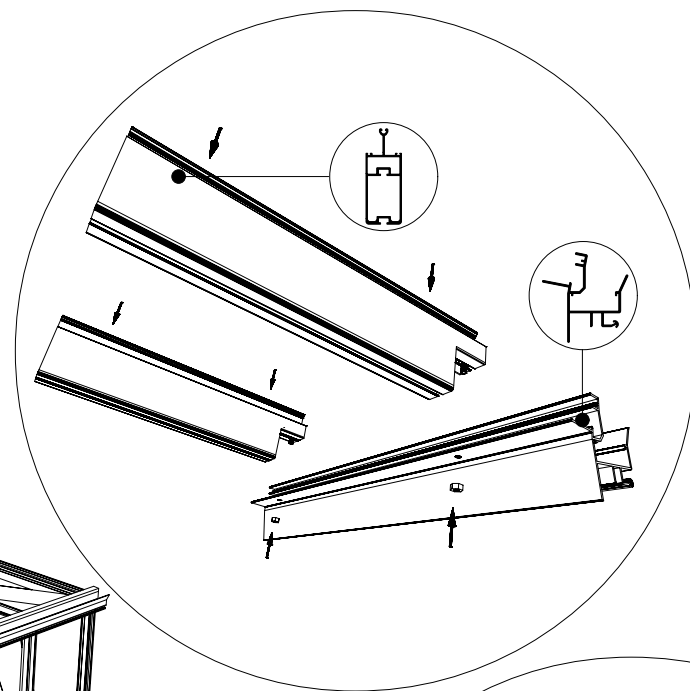
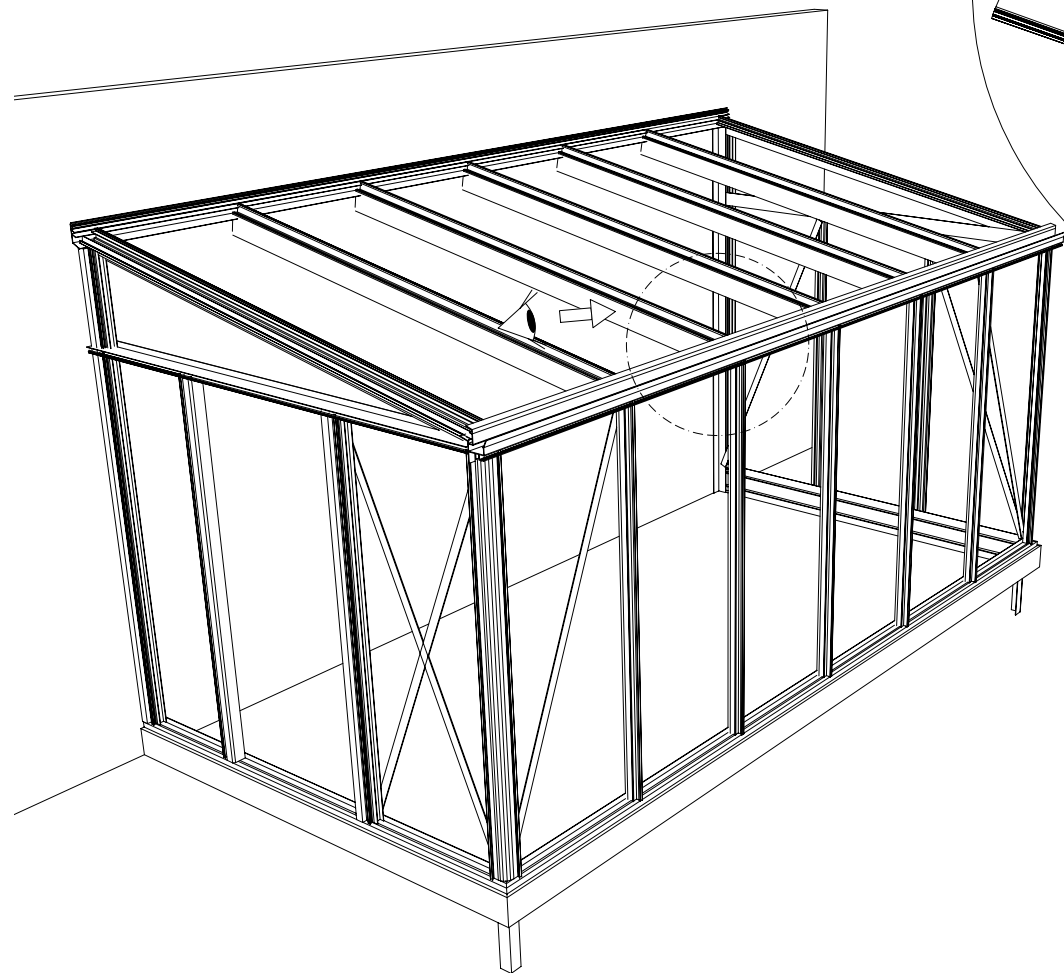


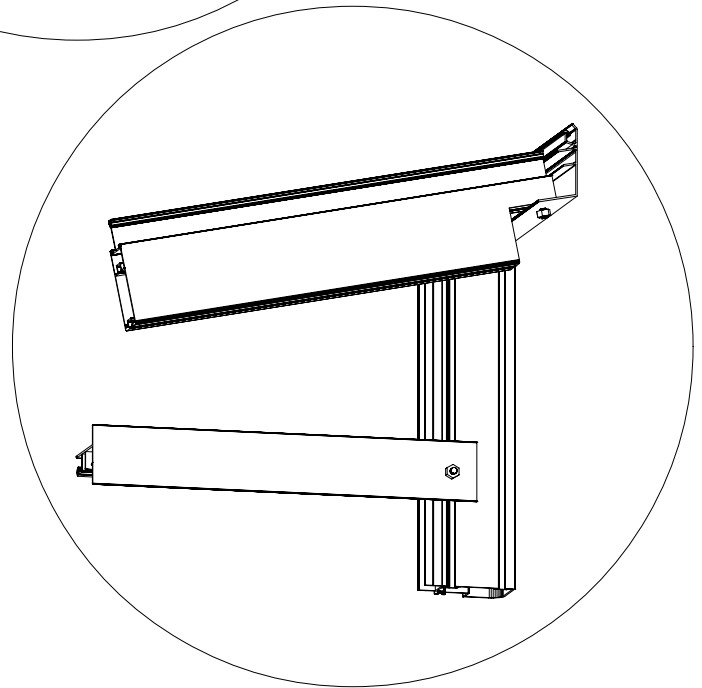
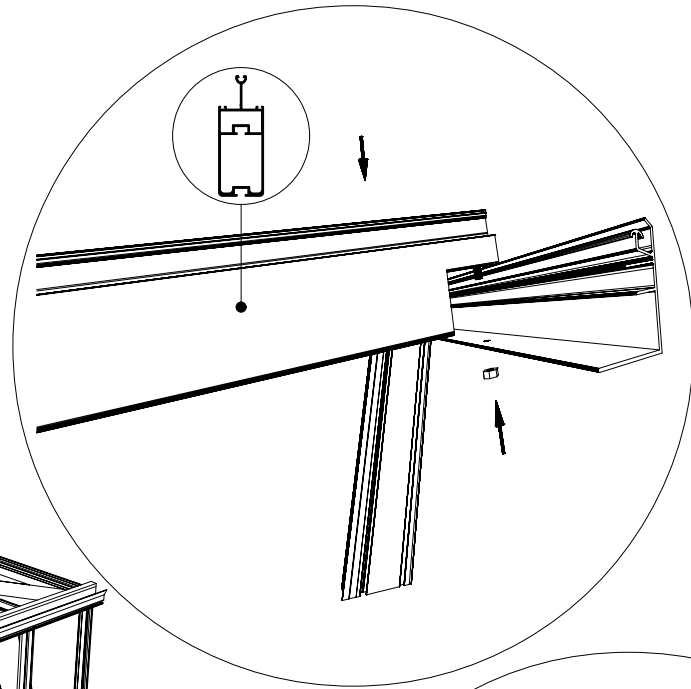
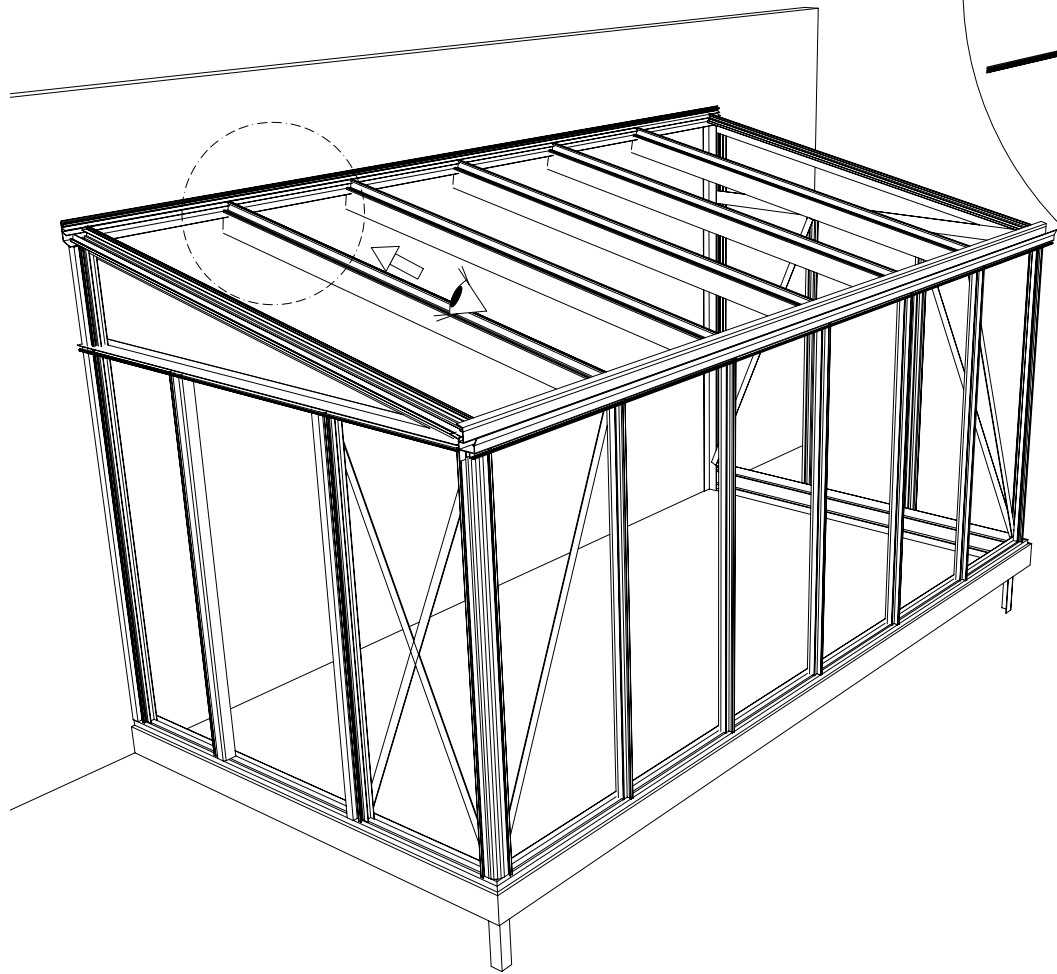


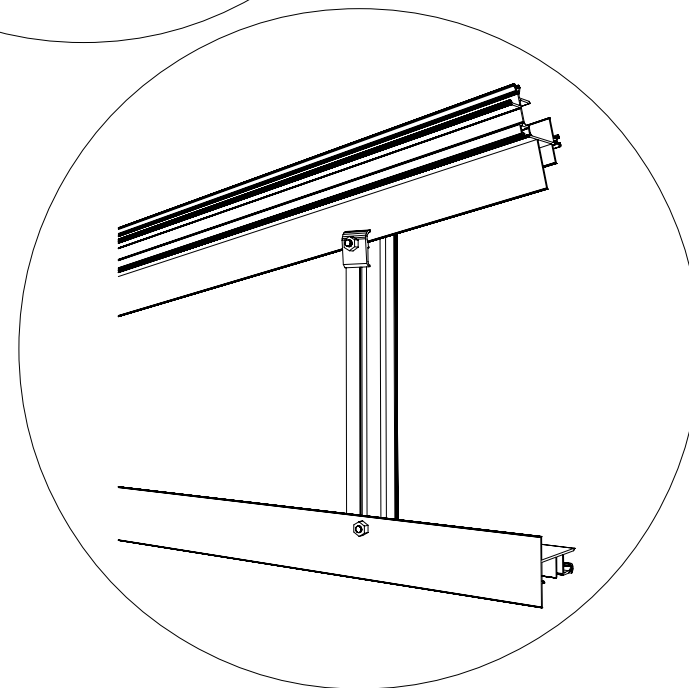
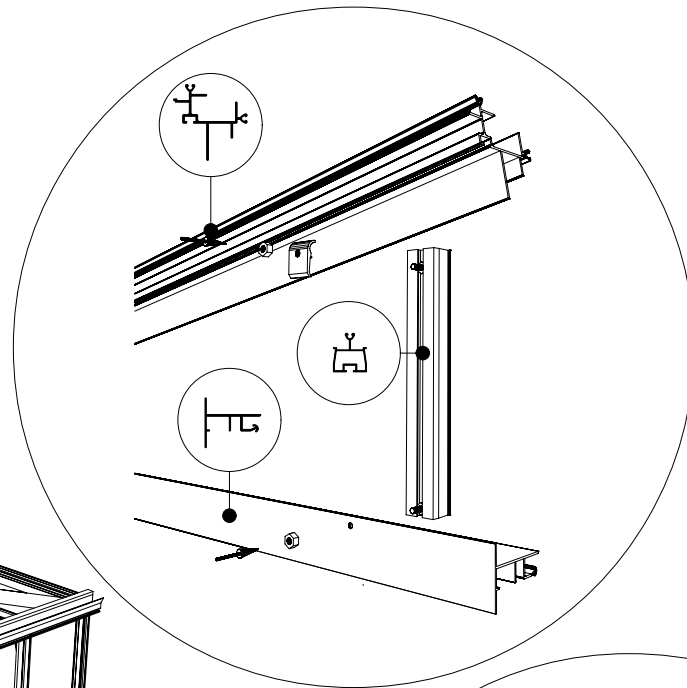
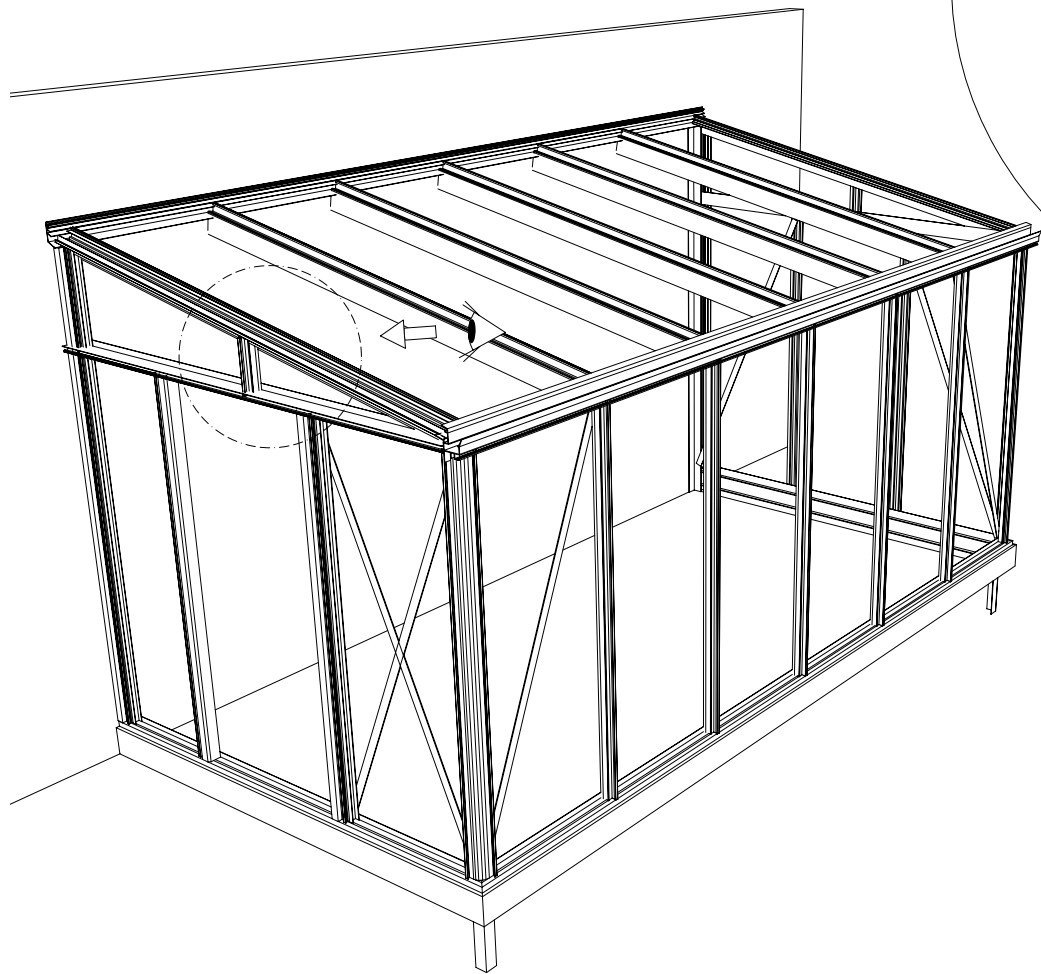


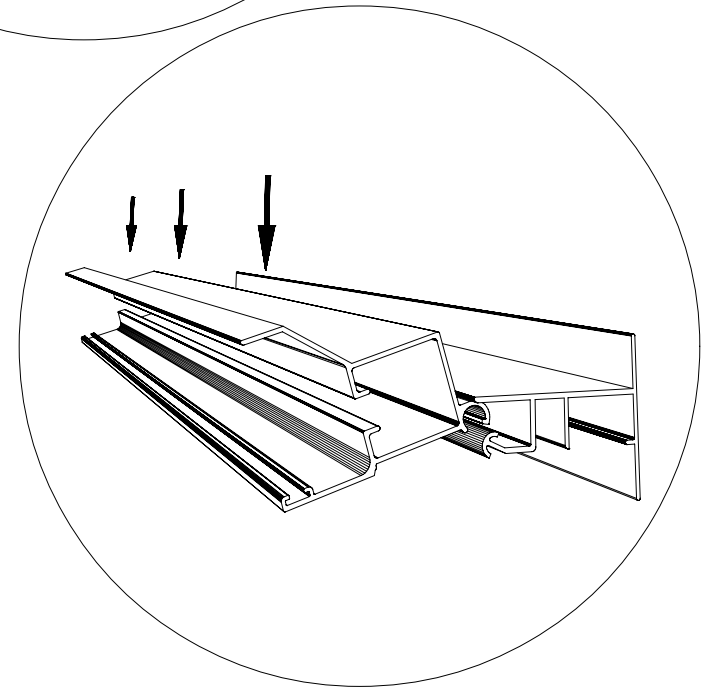
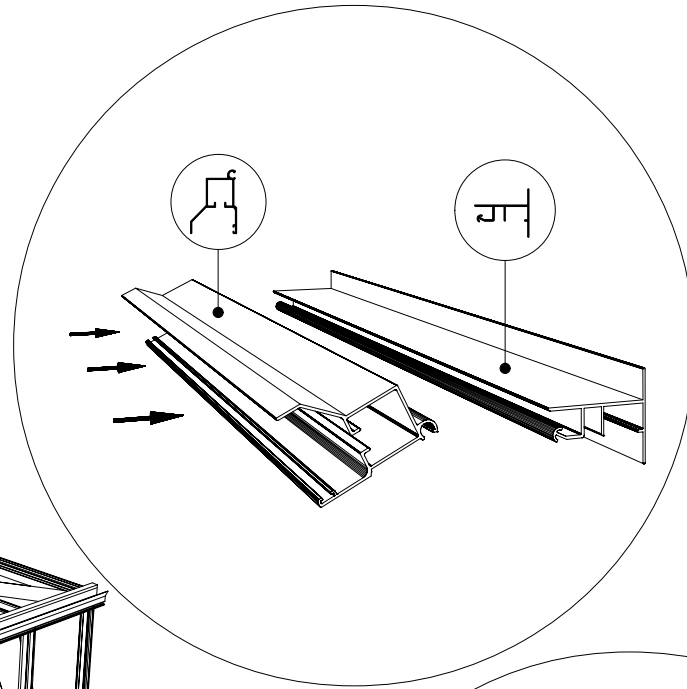
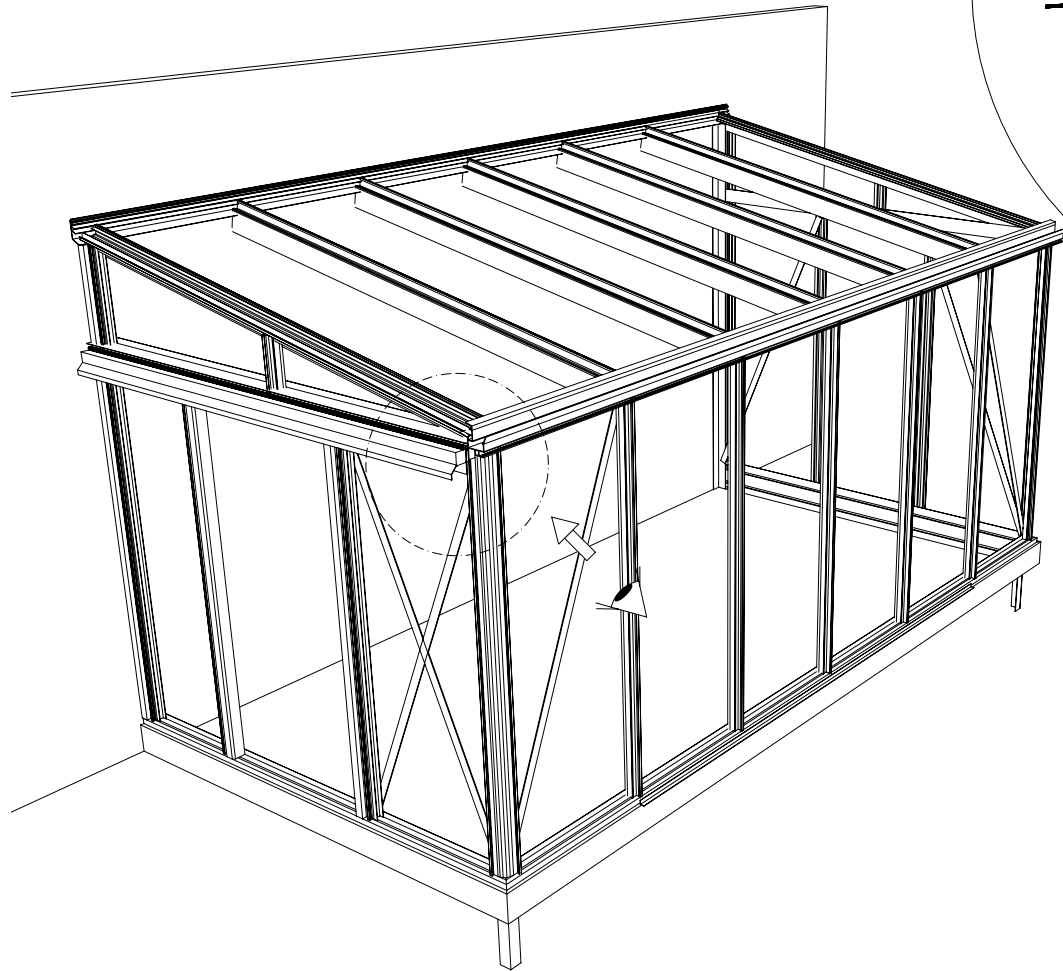


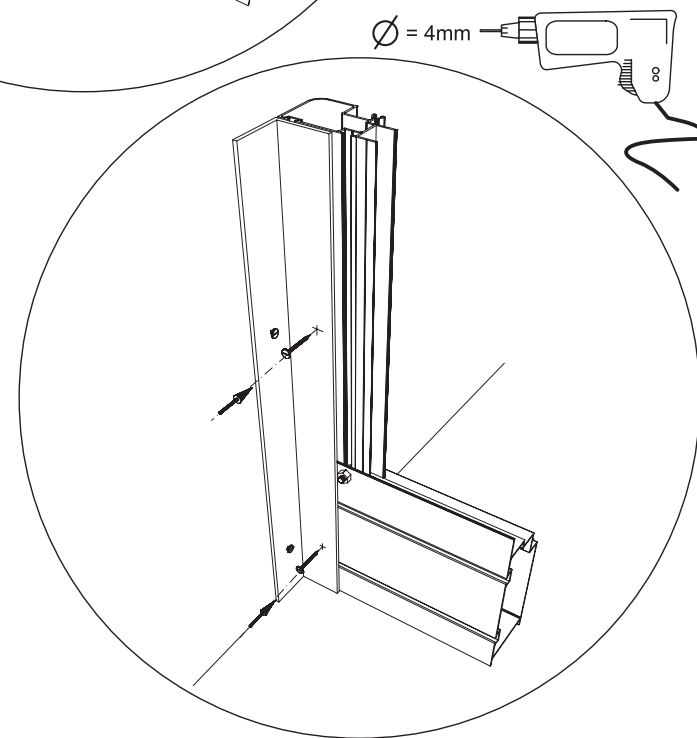
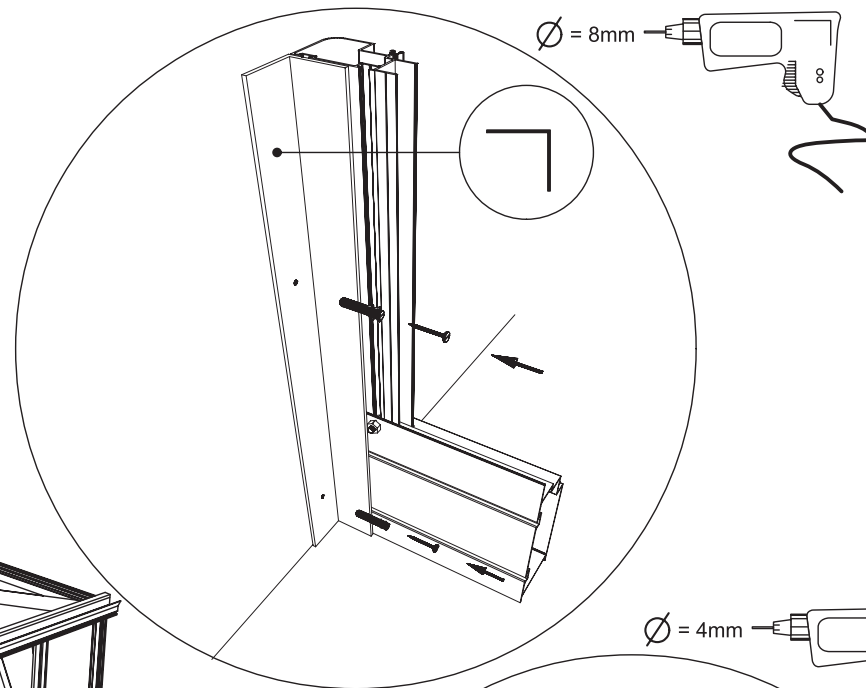
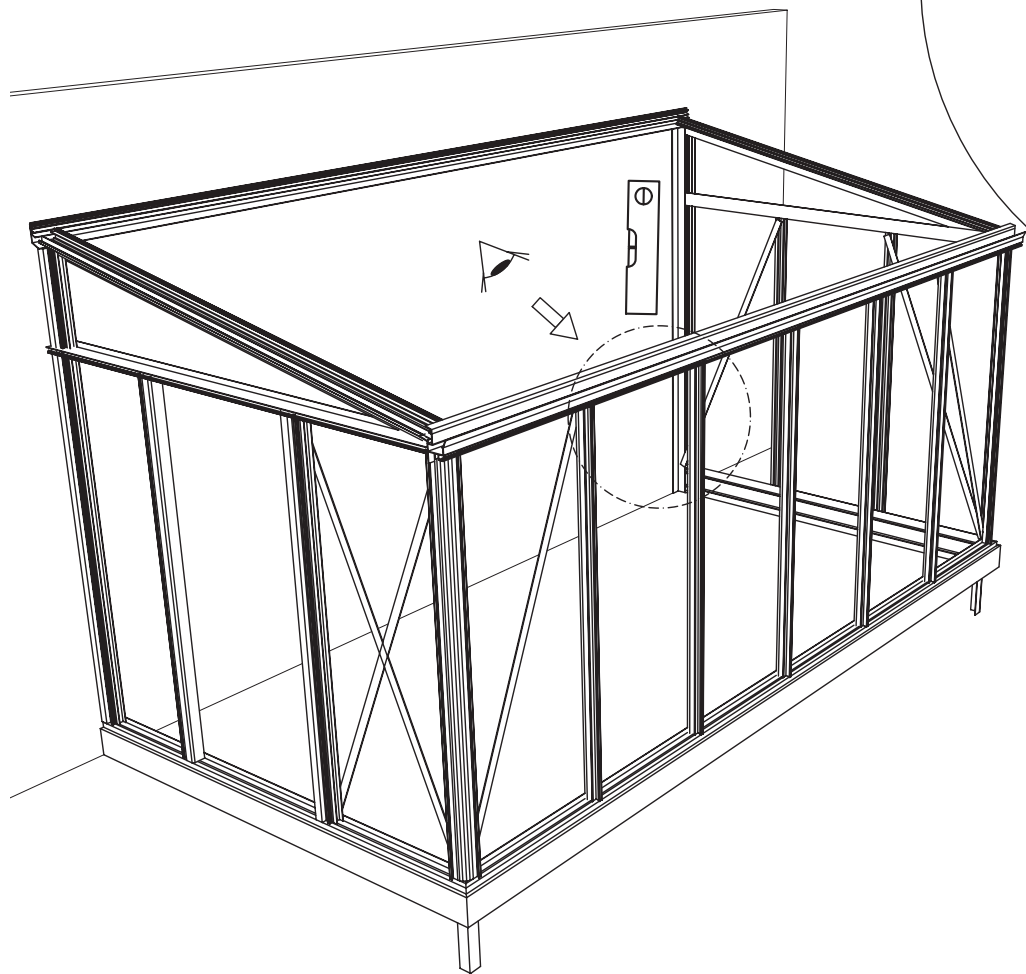


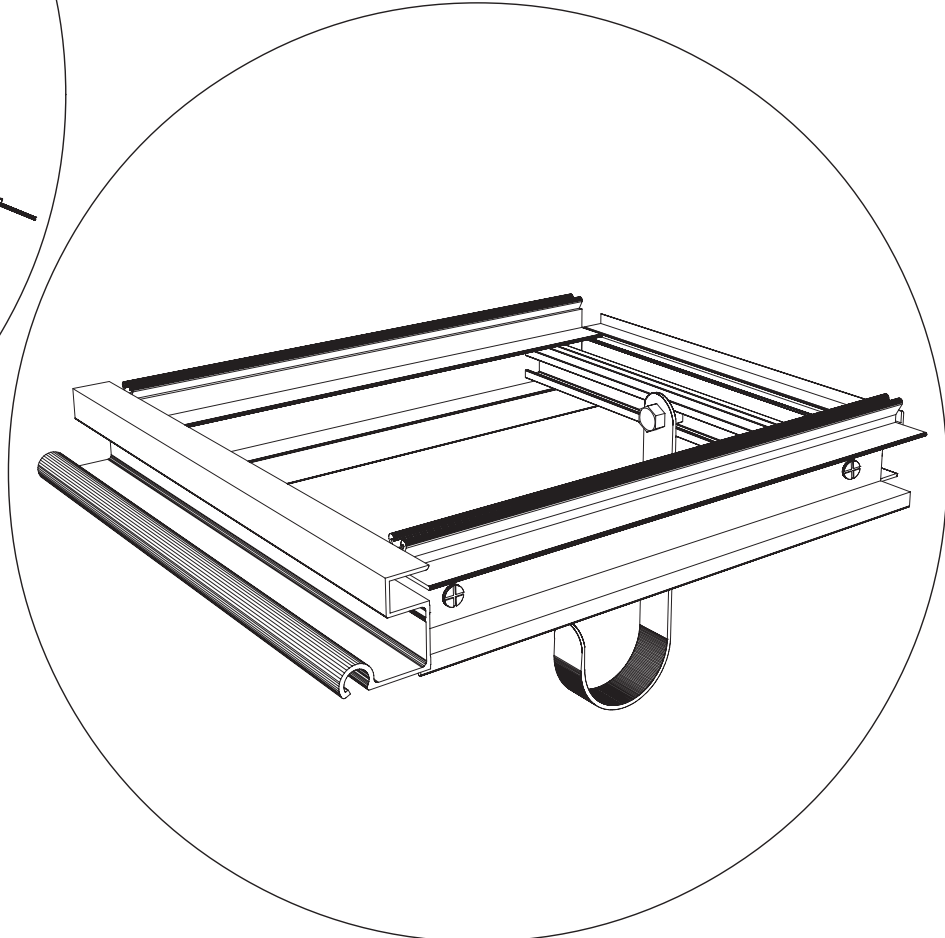
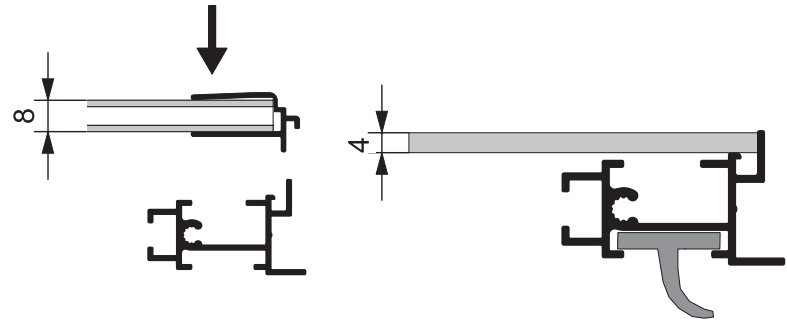
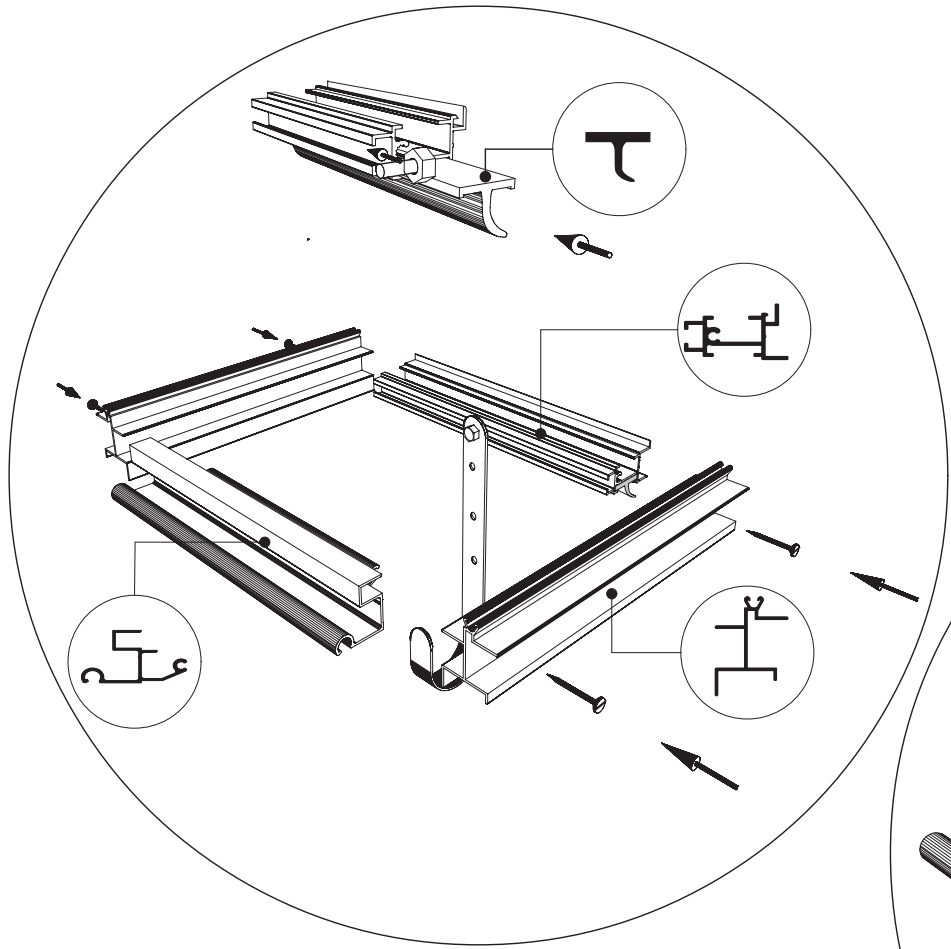


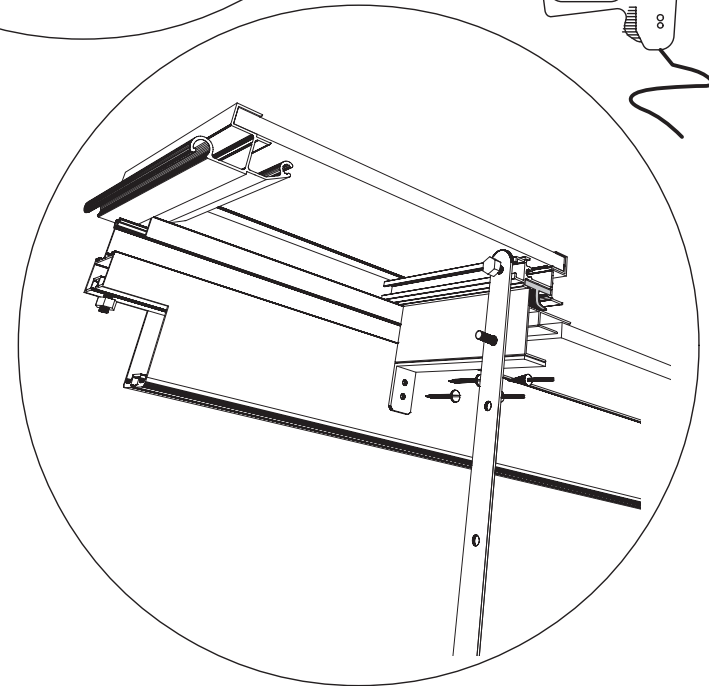
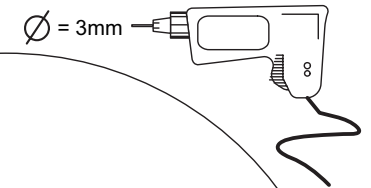
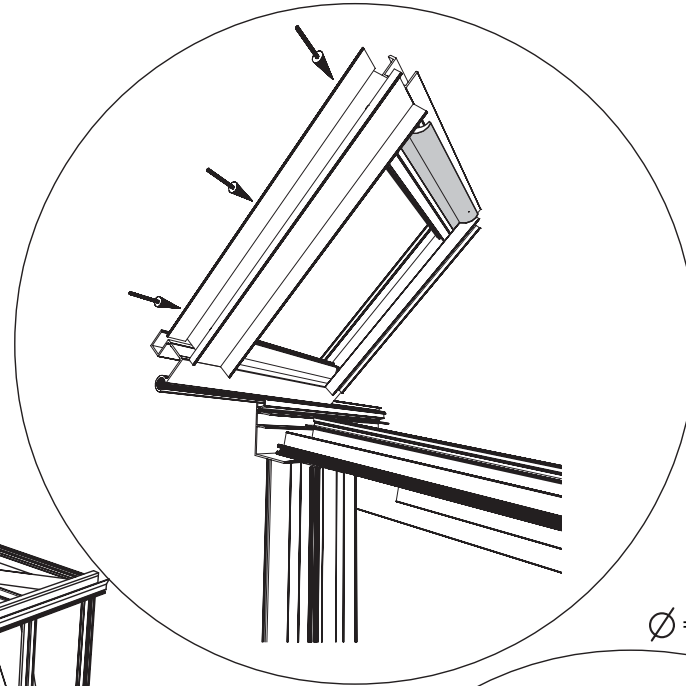
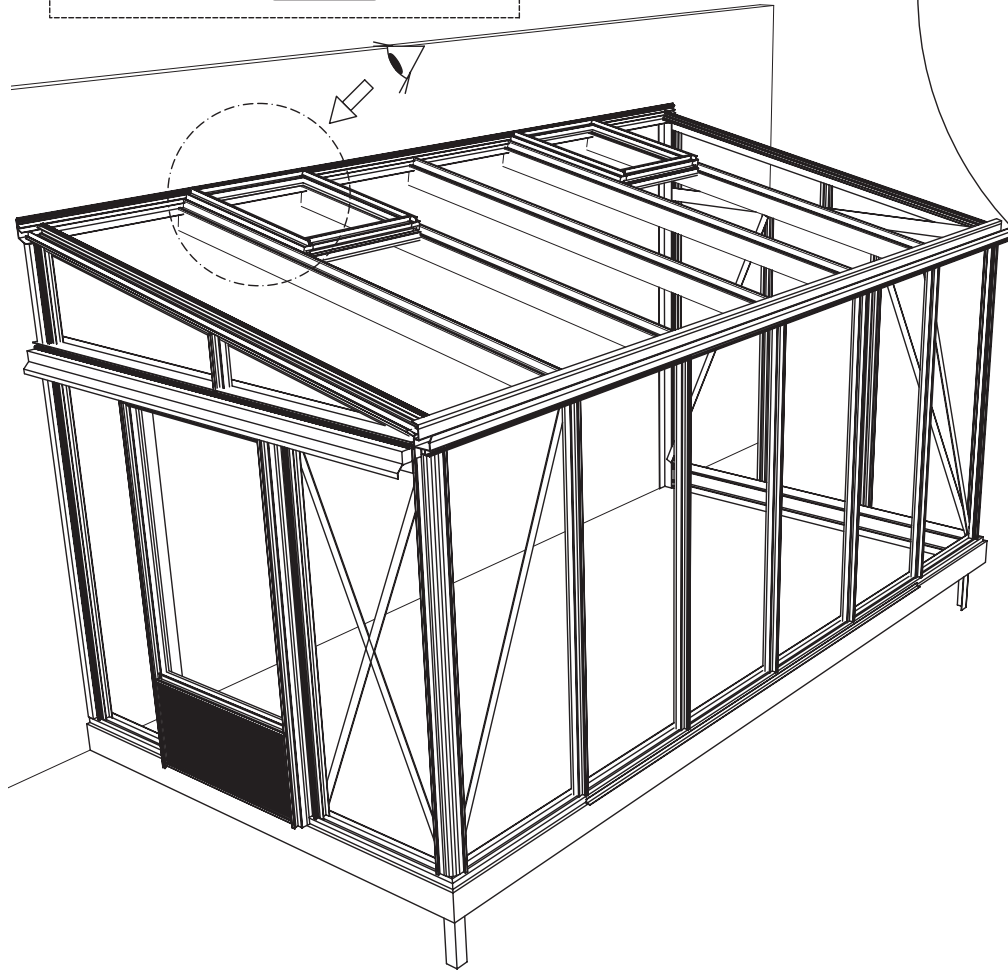
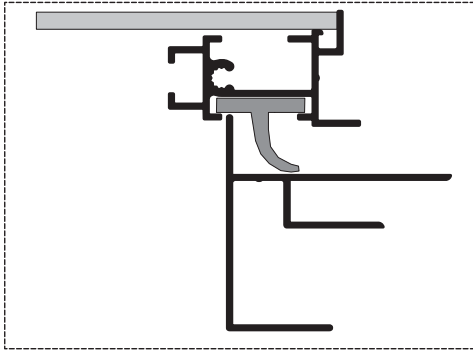




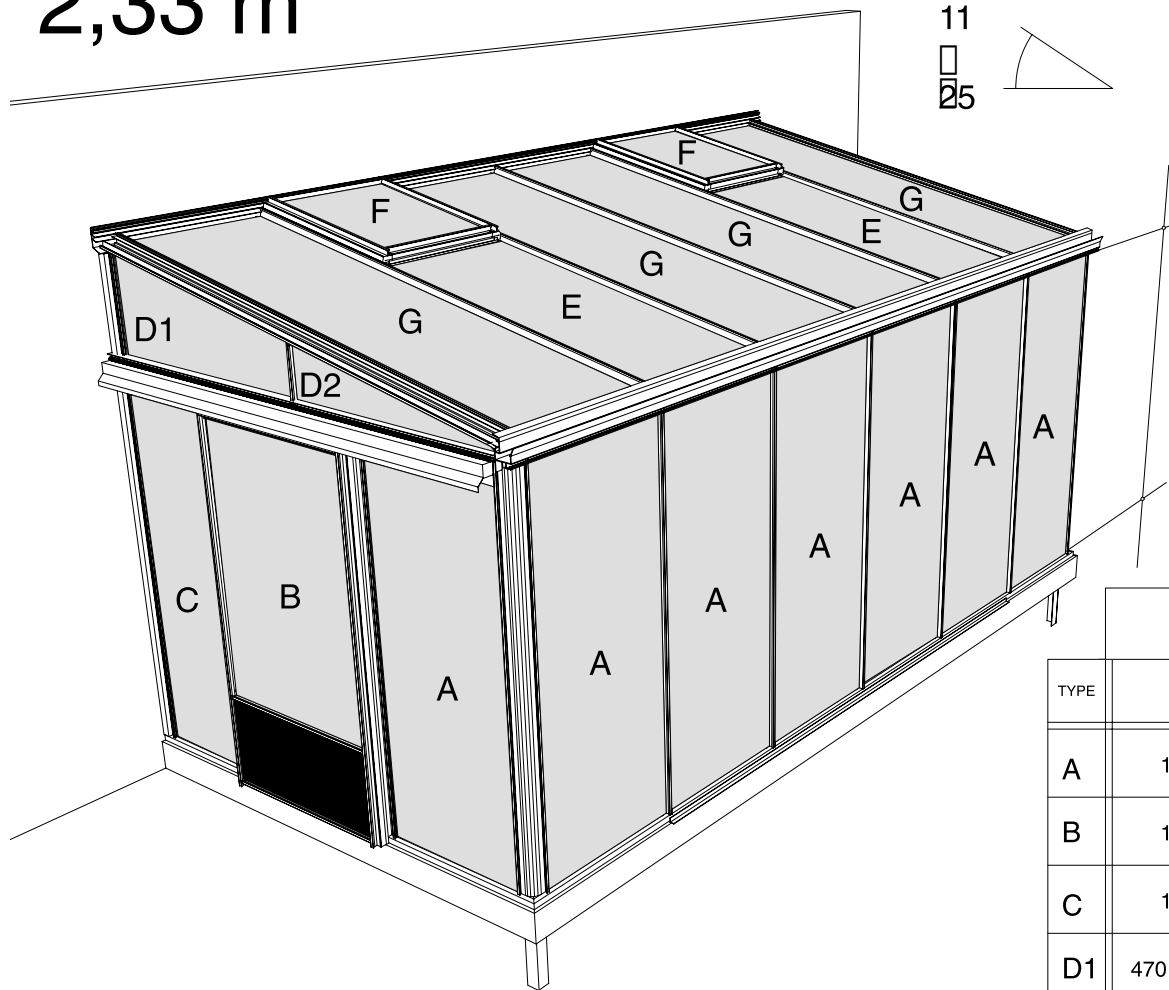






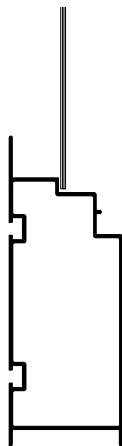
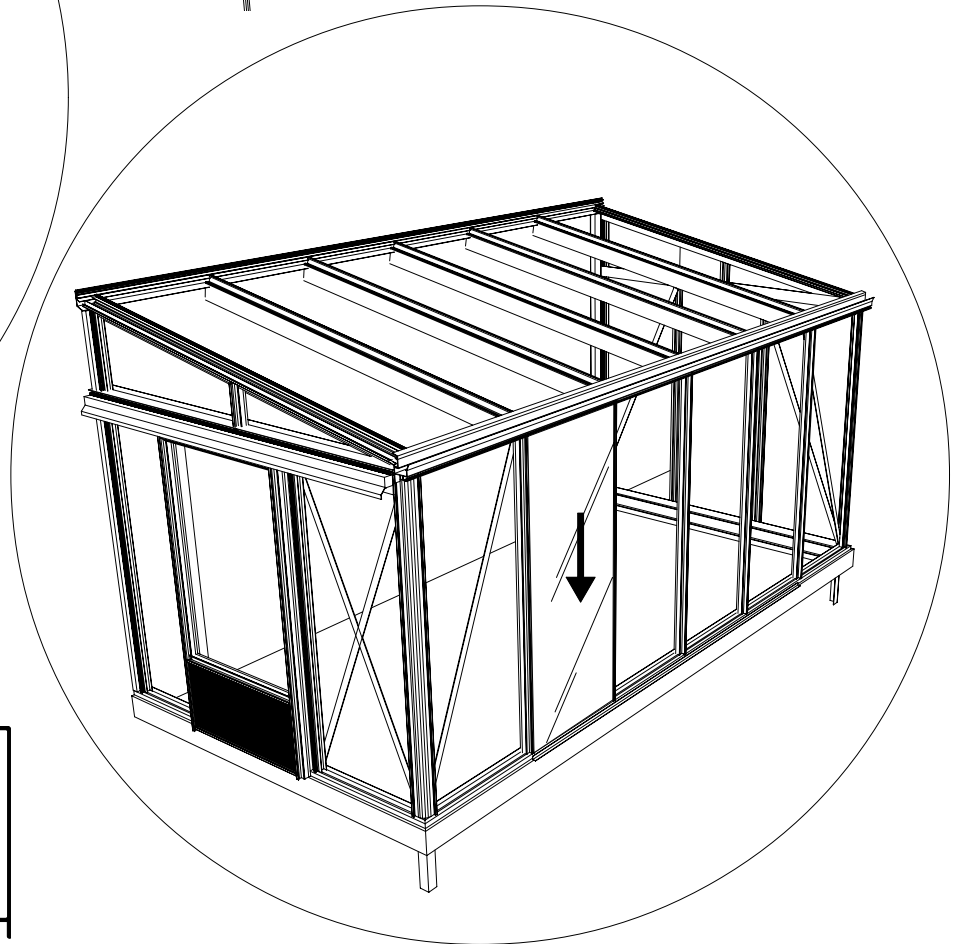
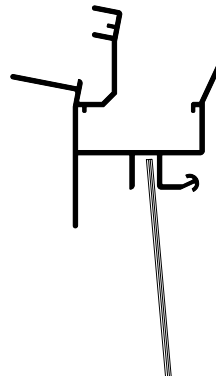
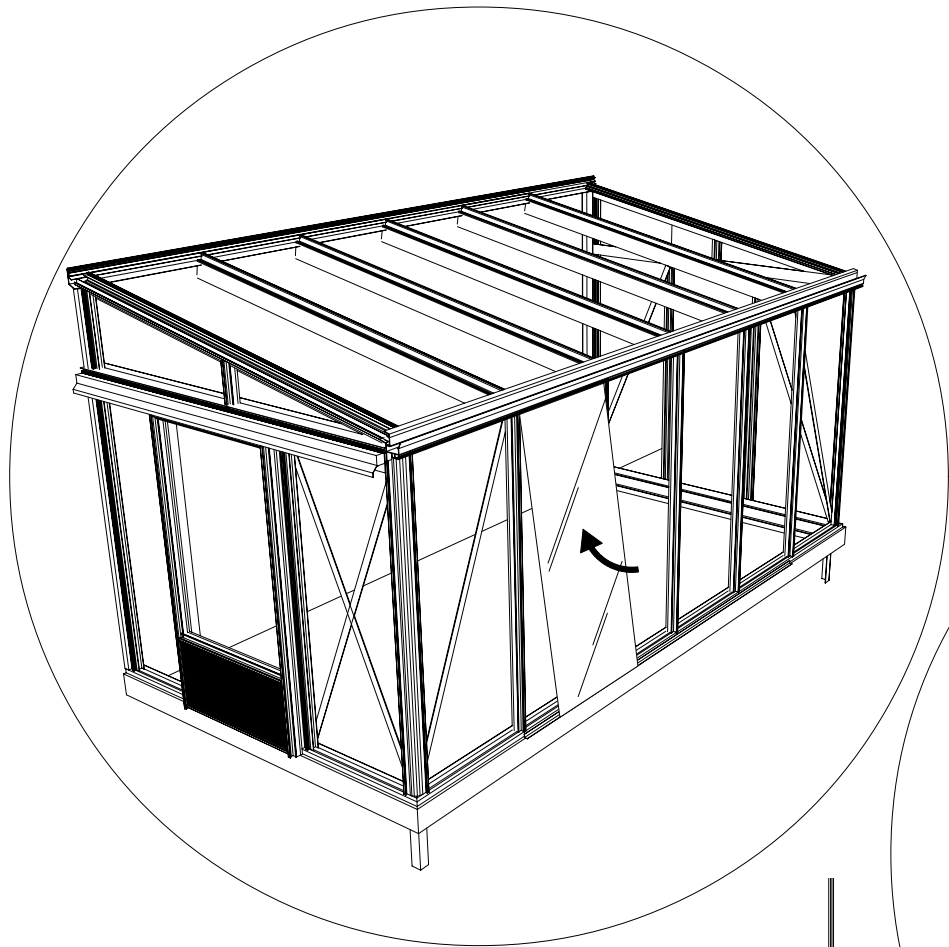


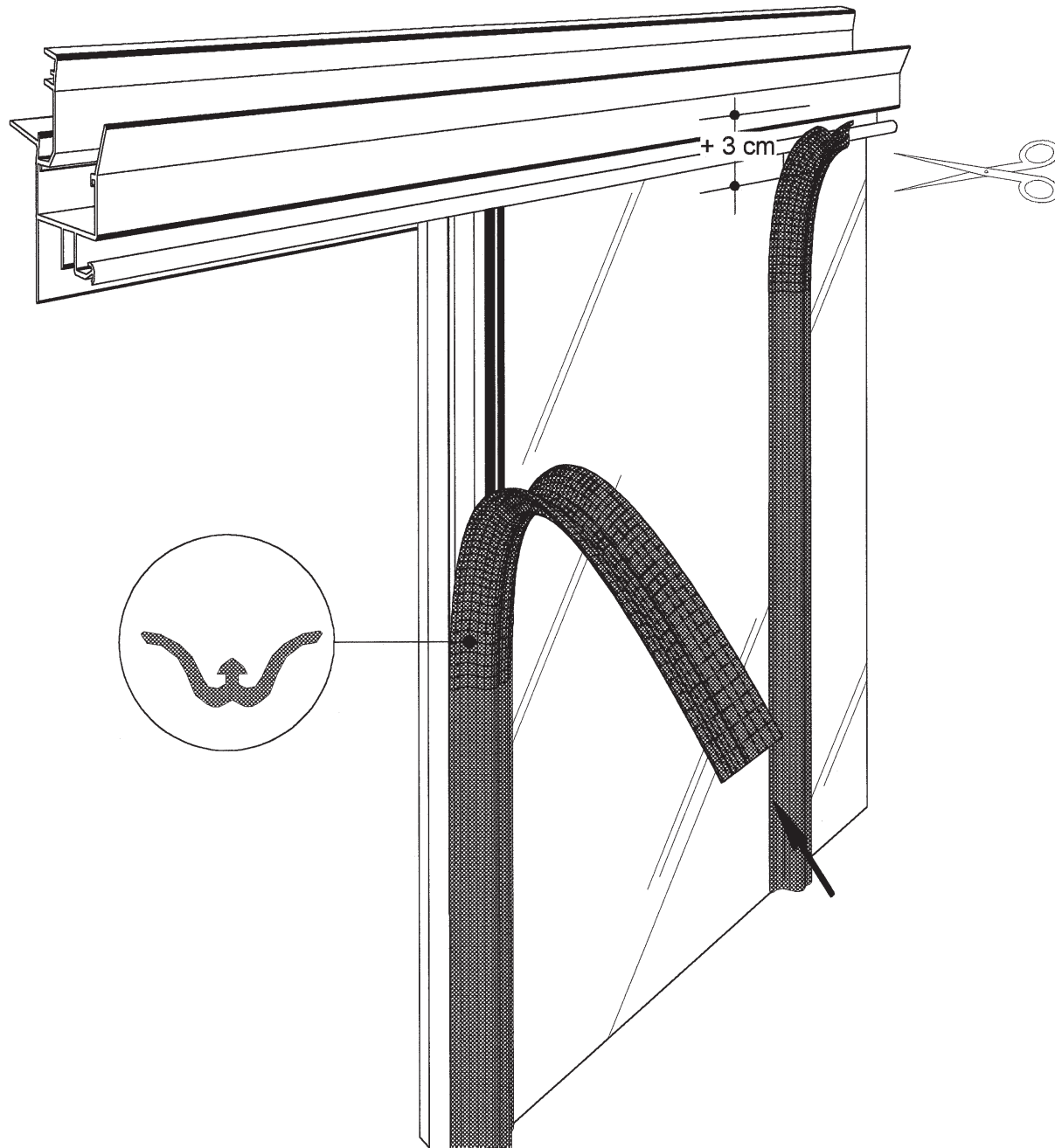
2,33 m

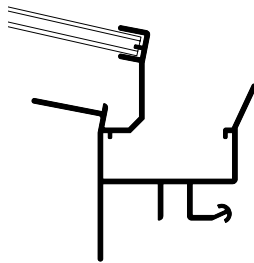
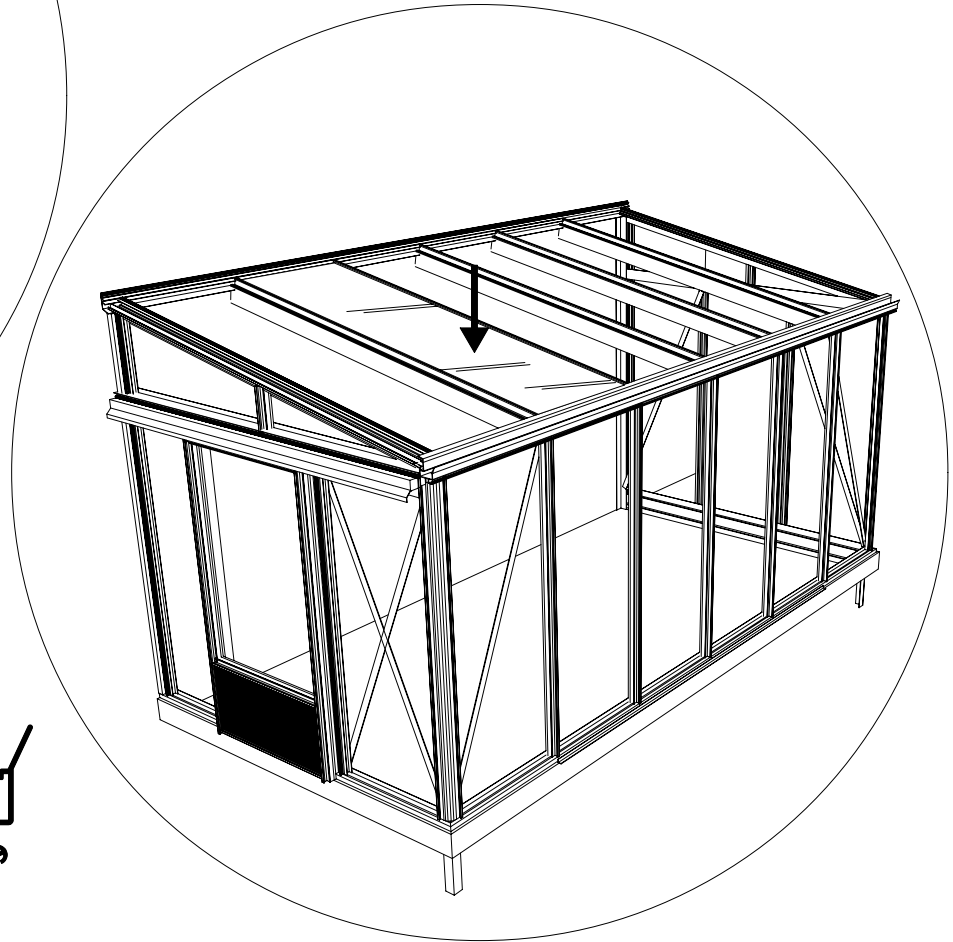
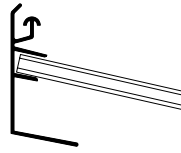
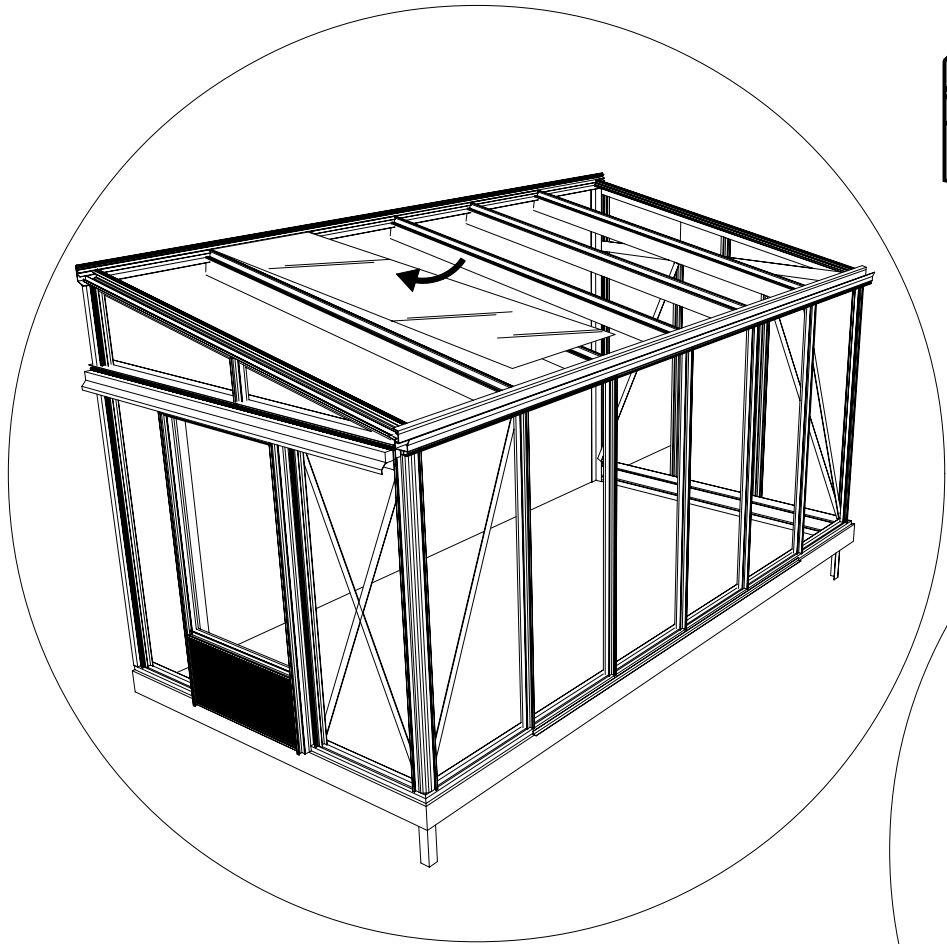


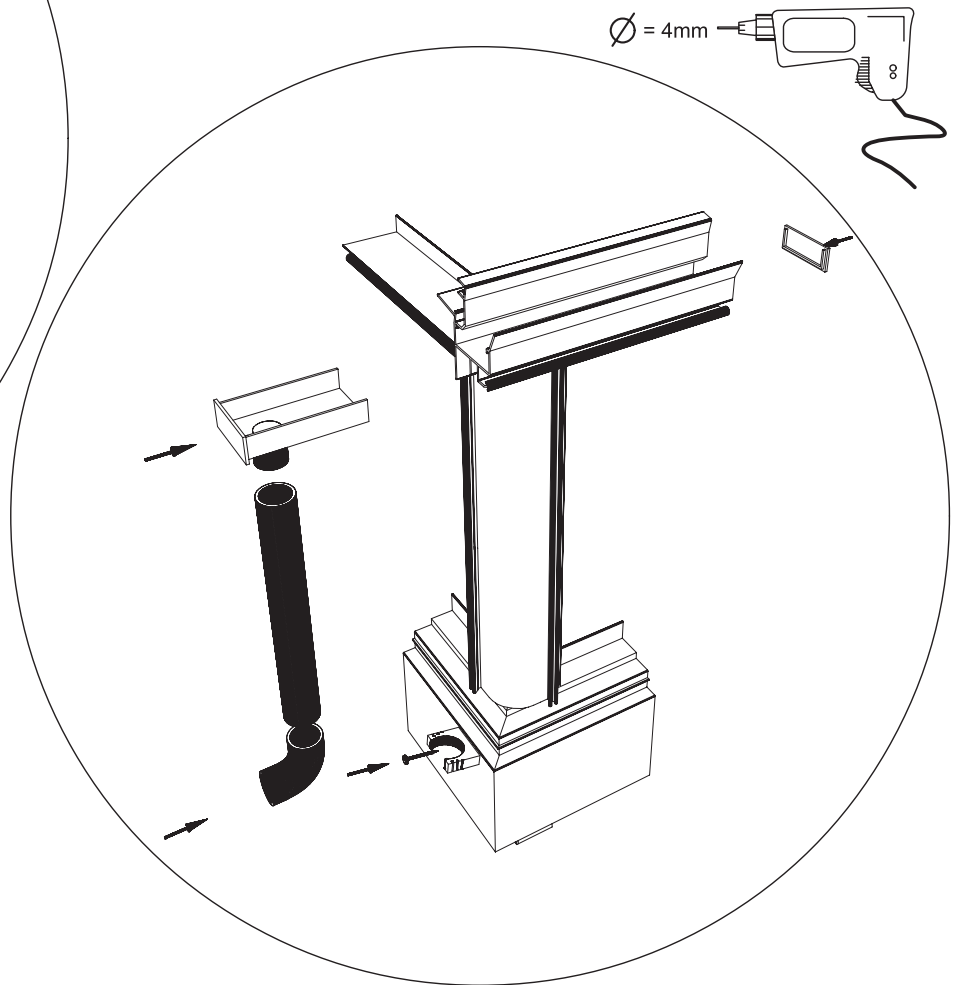
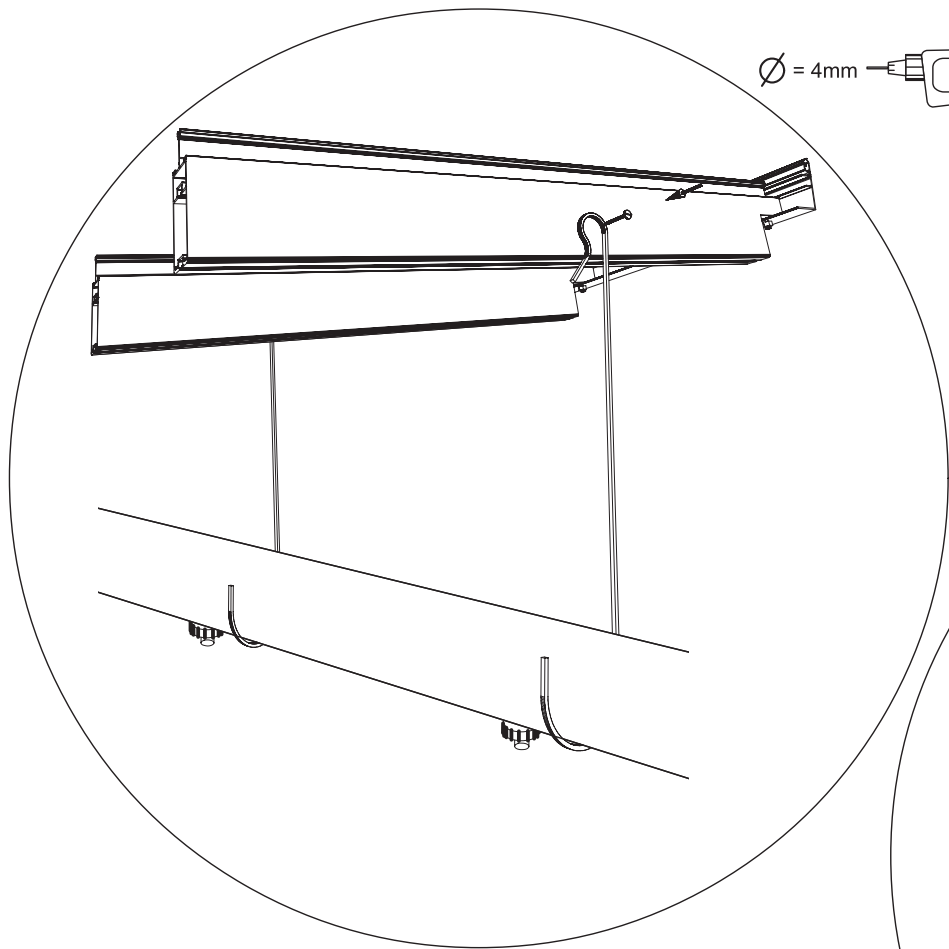
1633 = A
1833 = B

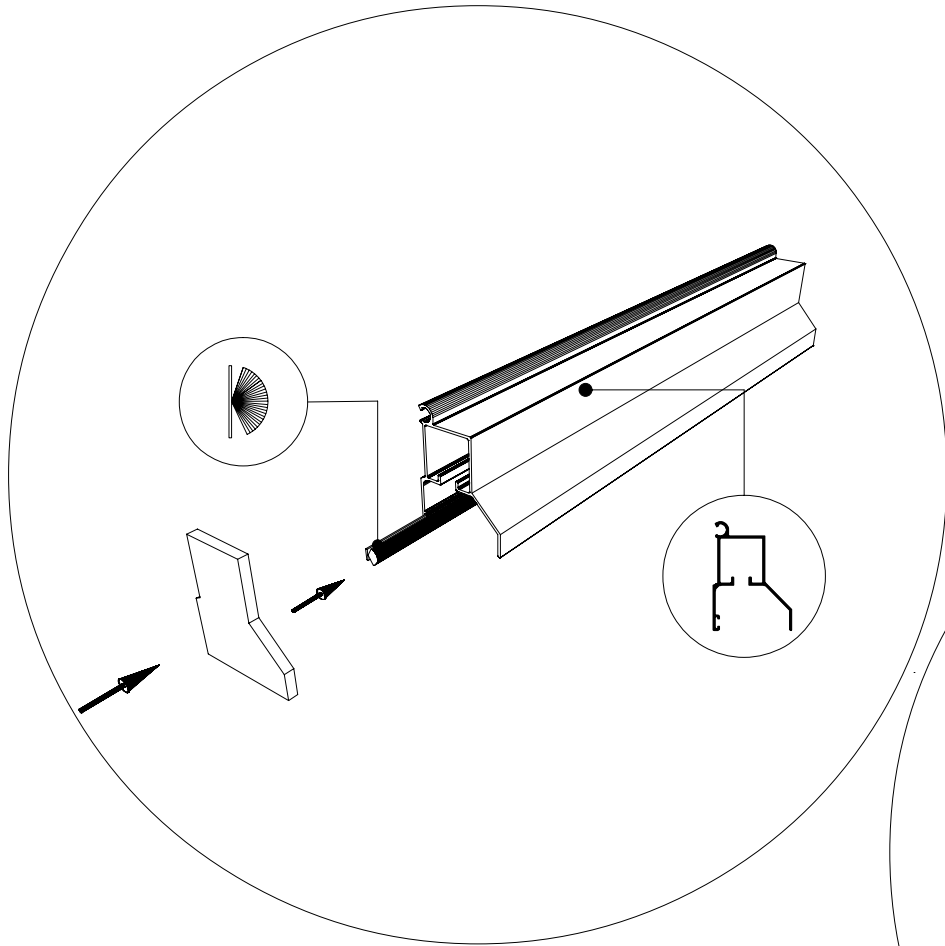
	2,33	11	2,33	25
TYPE	1633	1833	1633	1833
A	1650 x 730	1850 x 730	1650 x 730	1850 x 730
B	1250 x 730	1450 x 730	1250 x 730	1450 x 730
C	1650 x 573	1850 x 573	1650 x 573	1850 x 573
D1	470 x 1095x 253	470 x 1095x 253	900 x 730 x 610	900 x 730 x 610
D2	250 x 1115 x 20	250 x 1115 x 20	605 x 730 x 320	605 x 730 x 320
E	1492 x 730	1492 x 730	315 x 730 x 15	315 x 730 x 15
F	825 x 730	825 x 730	1635 x 730	1635 x 730
G	825 x 730	825 x 730	2470 x 730	2470 x 730











pas compris
niet inbegrepen
not included
nicht inbegriffen
non include

