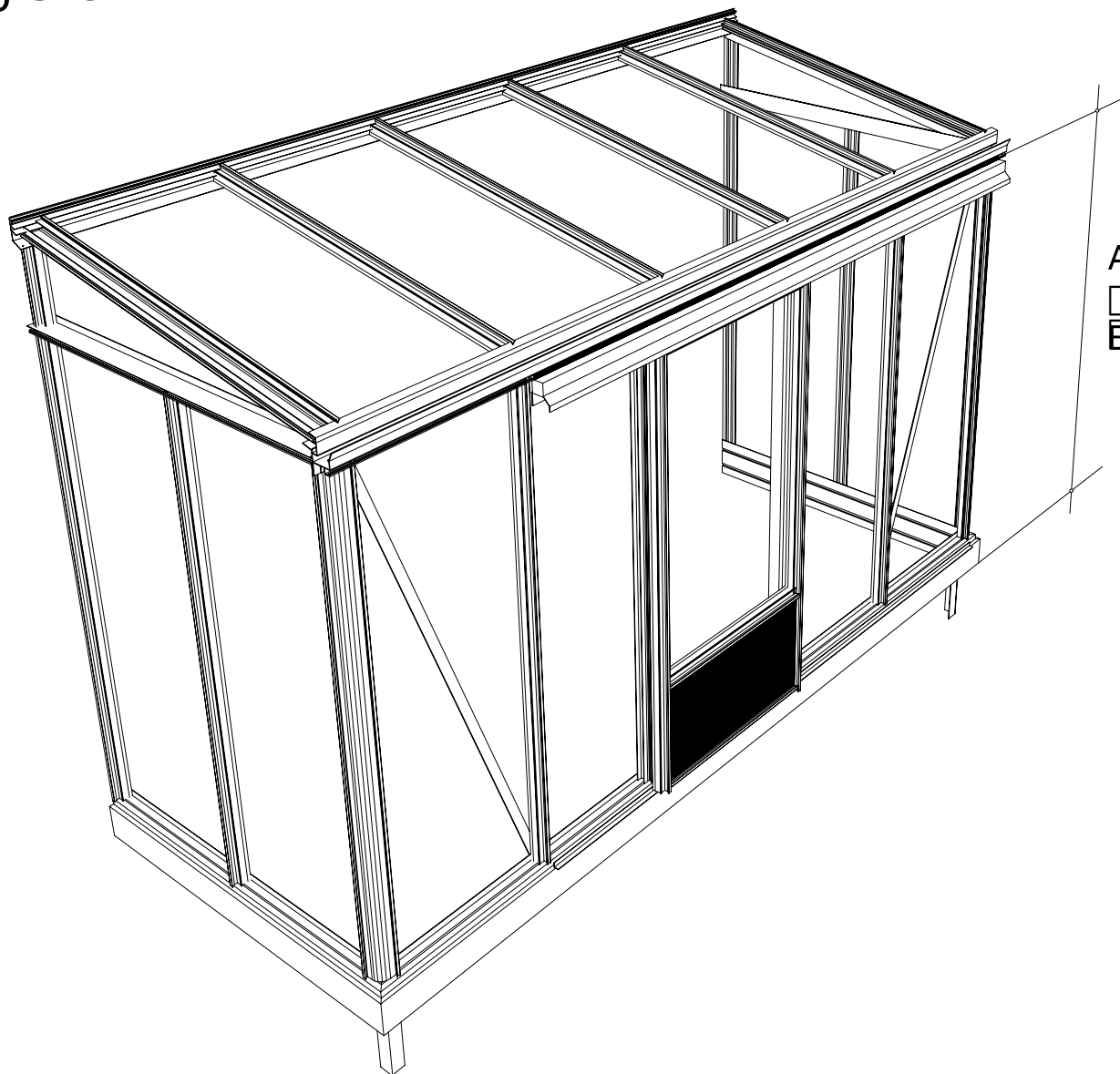
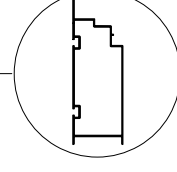
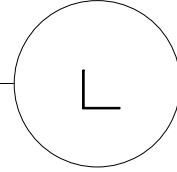
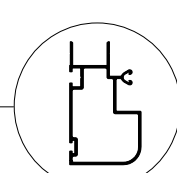
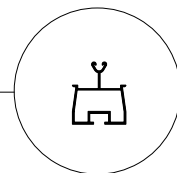
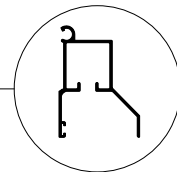
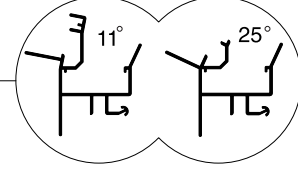
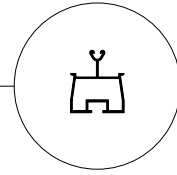
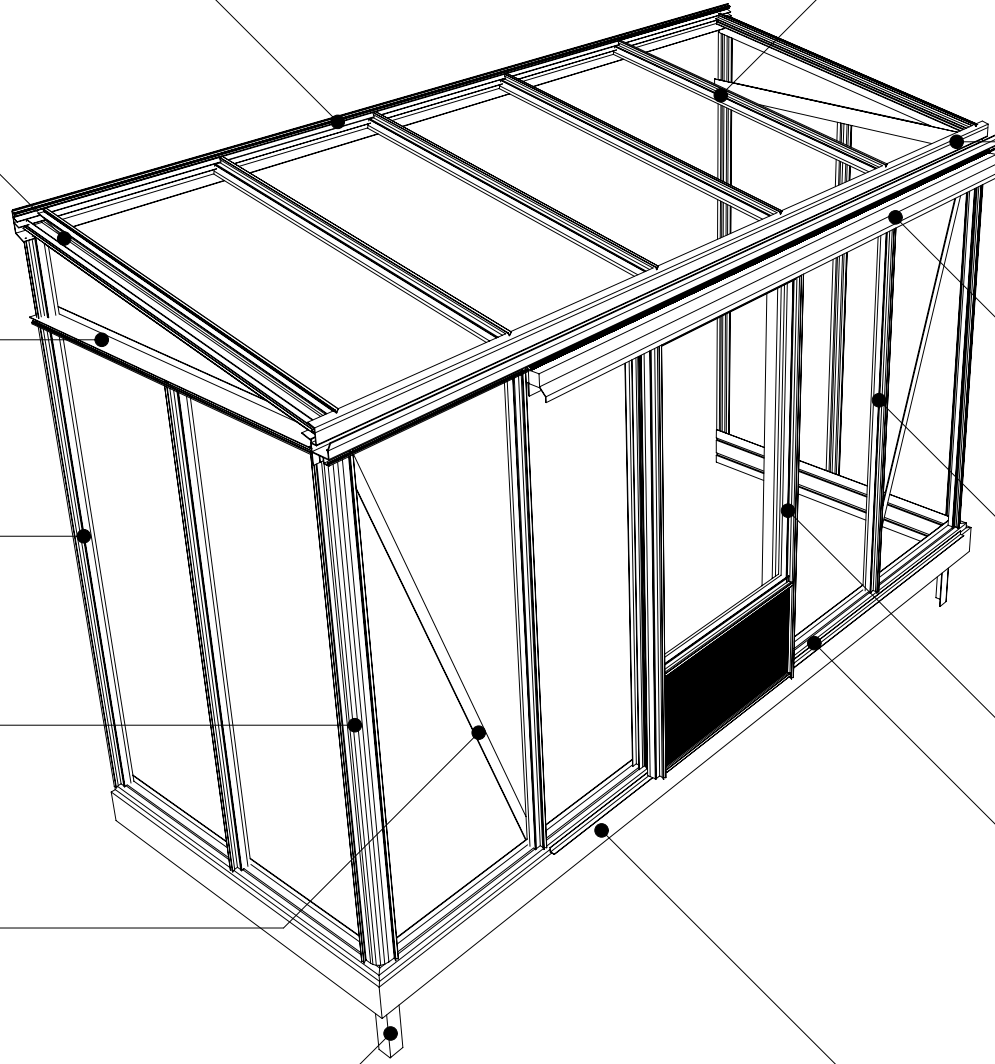
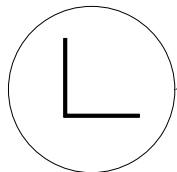
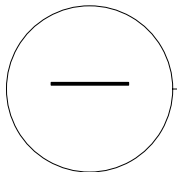
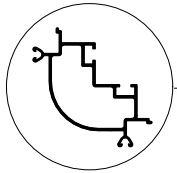
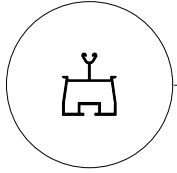
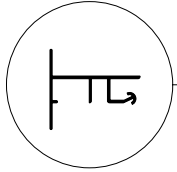
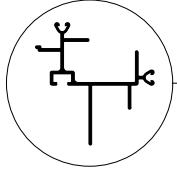
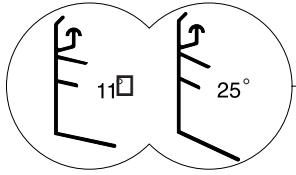


1,18m - 1,56m

11
□
25



A = 1633
□
B = 1833

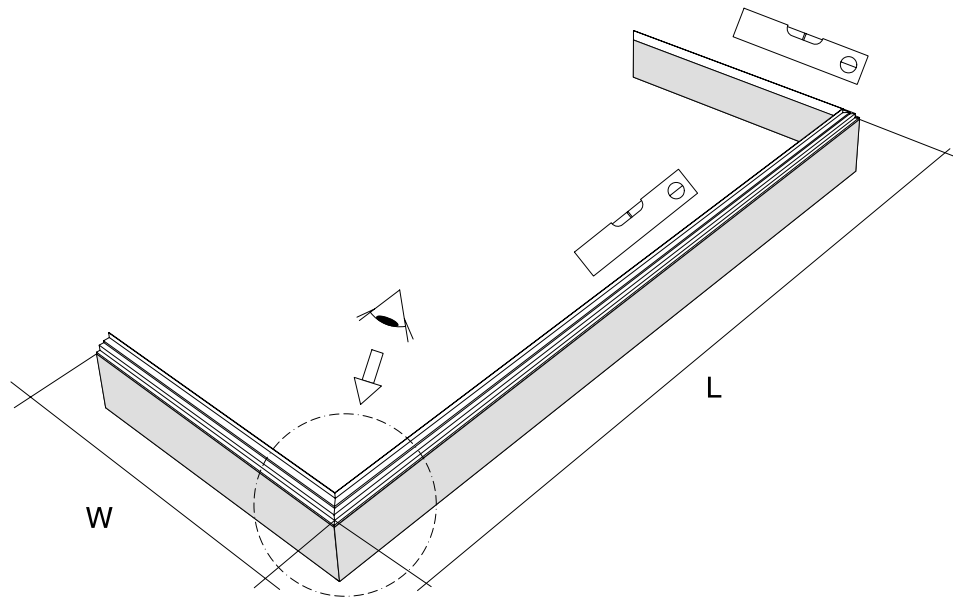
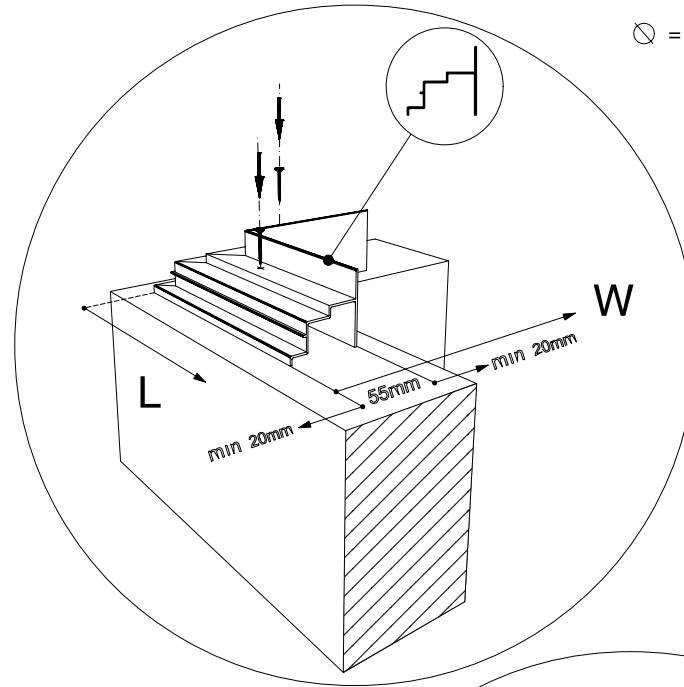
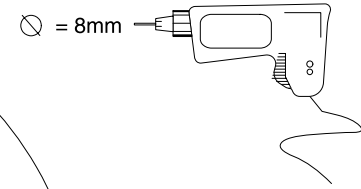


A	1,18 X	2,36	3,09	3,80	4,57	5,30	6,04	6,77	7,53	8,30
1-1A		1 x 2347	1 x 3086	1 x 3821	1 x 4558	1 x 5296	1 x 6034	1 x 6769	1 x 7506	1 x 8243
		2 x 1180	2 x 1180	2 x 1180	2 x 1180	2 x 1180	2 x 1180	2 x 1180	2 x 1180	2 x 1180
2-11°		1 x 2347	1 x 3086	1 x 3821	1 x 4558	1 x 5296	1 x 6034	1 x 6769	1 x 7506	1 x 8243
②		1 x 2347	1 x 3086	1 x 3821	1 x 4558	1 x 5296	1 x 6034	1 x 6769	1 x 7506	1 x 8243
3-11°		1 x 2347	1 x 3086	1 x 3821	1 x 4558	1 x 5296	1 x 6034	1 x 6769	1 x 7506	1 x 8243
3-25°		1 x 2347	1 x 3086	1 x 3821	1 x 4558	1 x 5296	1 x 6034	1 x 6769	1 x 7506	1 x 8243
④		2 x 1130	2 x 1130	2 x 1130	2 x 1130	2 x 1130	2 x 1130	2 x 1130	2 x 1130	2 x 1130
⑤		2 x 1633	2 x 1633	2 x 1633	2 x 1633	2 x 1633	2 x 1633	2 x 1633	2 x 1633	2 x 1633
⑥		2 x 1633	2 x 1633	2 x 1633	2 x 1633	2 x 1633	2 x 1633	2 x 1633	2 x 1633	2 x 1633
⑦		2 x 1167	2 x 1167	2 x 1167	2 x 1167	2 x 1167	2 x 1167	2 x 1167	2 x 1167	2 x 1167
		2 x 1233	2 x 1233	2 x 1233	2 x 1233	2 x 1233	2 x 1233	2 x 1233	2 x 1233	2 x 1233
⑧		1 x 2360	1 x 2980	1 x 2980	1 x 2980	1 x 2980	1 x 2980	1 x 2980	1 x 2980	1 x 2980
⑨		1 x 2360	1 x 2980	1 x 2980	1 x 2980	1 x 2980	1 x 2980	1 x 2980	1 x 2980	1 x 2980
⑩		2 x 1977	2 x 1977	2 x 1977	2 x 1977	2 x 1977	2 x 1977	2 x 1977	2 x 1977	2 x 1977
		2 x 2160	2 x 2160	2 x 2160	2 x 2160	2 x 2160	2 x 2160	2 x 2160	2 x 2160	2 x 2160
		2 x 1633	3 x 1633	4 x 1633	5 x 1633	6 x 1633	7 x 1633	8 x 1633	9 x 1633	10 x 1633
		2 x 1167	3 x 1167	4 x 1167	5 x 1167	6 x 1167	7 x 1167	8 x 1167	9 x 1167	10 x 1167
		2 x 1233	3 x 1233	4 x 1233	5 x 1233	6 x 1233	7 x 1233	8 x 1233	9 x 1233	10 x 1233
⑫		2 x 1796	2 x 1796	2 x 1796	2 x 1796	2 x 1796	2 x 1796	2 x 1796	2 x 1796	2 x 1796
⑬		1 x 1730	1 x 1730	1 x 1730	1 x 1730	1 x 1730	1 x 1730	1 x 1730	1 x 1730	1 x 1730
⑭		1 x	1 x	1 x	1 x	1 x	1 x	1 x	1 x	1 x
R②		30 l/m	33 l/m	36 l/m	39 l/m	45 l/m	49 l/m	52 l/m	55 l/m	58 l/m
		31 l/m	34 l/m	36 l/m	40 l/m	45 l/m	49 l/m	52 l/m	55 l/m	58 l/m
⑰		2 x 500	2 x 500	2 x 500	2 x 500	2 x 500	2 x 500	2 x 500	2 x 500	2 x 500

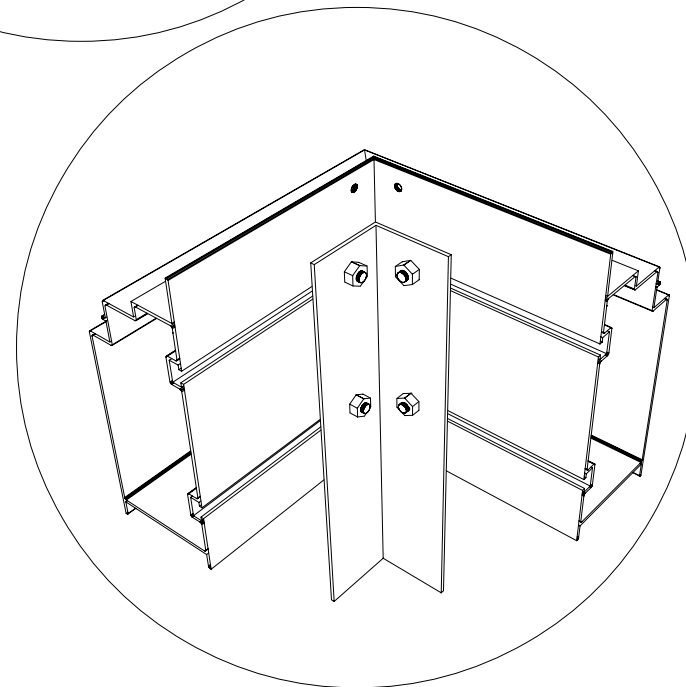
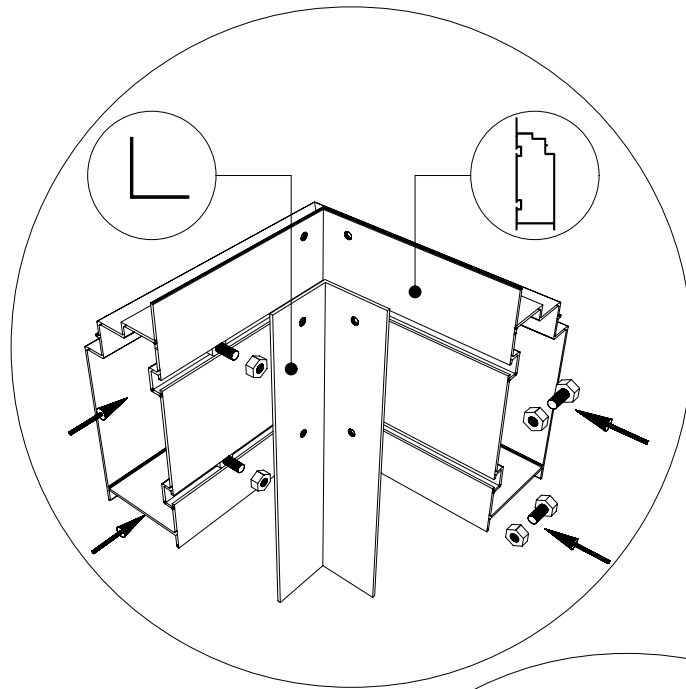
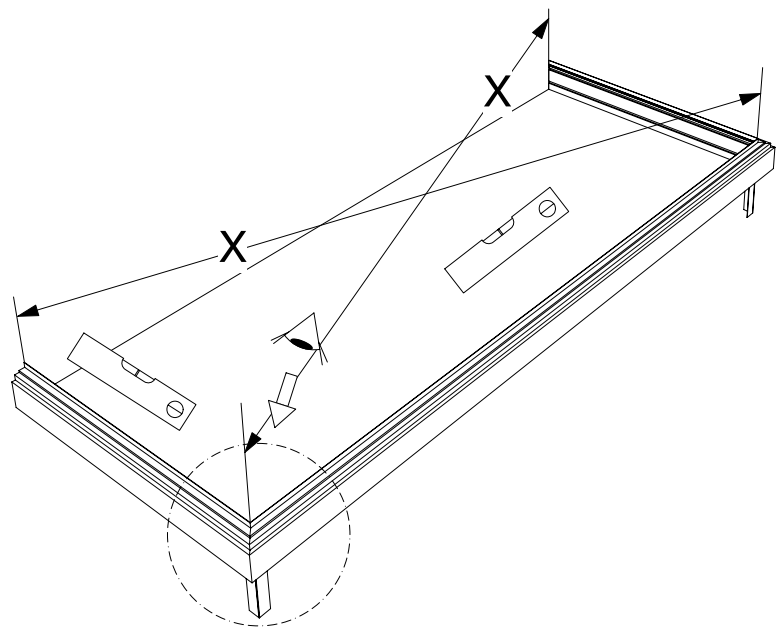
B	1,18 X	2,36	3,09	3,80	4,57	5,30	6,04	6,77	7,53	8,30
1-1A		1 x 2347	1 x 3086	1 x 3821	1 x 4558	1 x 5296	1 x 6034	1 x 6769	1 x 7506	1 x 8243
		2 x 1180	2 x 1180	2 x 1180	2 x 1180	2 x 1180	2 x 1180	2 x 1180	2 x 1180	2 x 1180
2-11°		1 x 2347	1 x 3086	1 x 3821	1 x 4558	1 x 5296	1 x 6034	1 x 6769	1 x 7506	1 x 8243
②		1 x 2347	1 x 3086	1 x 3821	1 x 4558	1 x 5296	1 x 6034	1 x 6769	1 x 7506	1 x 8243
3-11°		1 x 2347	1 x 3086	1 x 3821	1 x 4558	1 x 5296	1 x 6034	1 x 6769	1 x 7506	1 x 8243
3-11°		1 x 2347	1 x 3086	1 x 3821	1 x 4558	1 x 5296	1 x 6034	1 x 6769	1 x 7506	1 x 8243
④		2 x 1130	2 x 1130	2 x 1130	2 x 1130	2 x 1130	2 x 1130	2 x 1130	2 x 1130	2 x 1130
⑤		2 x 1833	2 x 1833	2 x 1833	2 x 1833	2 x 1833	2 x 1833	2 x 1833	2 x 1833	2 x 1833
⑥		2 x 1833	2 x 1833	2 x 1833	2 x 1833	2 x 1833	2 x 1833	2 x 1833	2 x 1833	2 x 1833
⑦		2 x 1167	2 x 1167	2 x 1167	2 x 1167	2 x 1167	2 x 1167	2 x 1167	2 x 1167	2 x 1167
		2 x 1233	2 x 1233	2 x 1233	2 x 1233	2 x 1233	2 x 1233	2 x 1233	2 x 1233	2 x 1233
⑧		1 x 2360	1 x 2980	1 x 2980	1 x 2980	1 x 2980	1 x 2980	1 x 2980	1 x 2980	1 x 2980
⑨		1 x 2360	1 x 2980	1 x 2980	1 x 2980	1 x 2980	1 x 2980	1 x 2980	1 x 2980	1 x 2980
⑩		2 x 2177	2 x 2177	2 x 2177	2 x 2177	2 x 2177	2 x 2177	2 x 2177	2 x 2177	2 x 2177
		2 x 2360	2 x 2360	2 x 2360	2 x 2360	2 x 2360	2 x 2360	2 x 2360	2 x 2360	2 x 2360
		2 x 1833	3 x 1833	4 x 1833	5 x 1833	6 x 1833	7 x 1833	8 x 1833	9 x 1833	10 x 1833
		2 x 1167	3 x 1167	4 x 1167	5 x 1167	6 x 1167	7 x 1167	8 x 1167	9 x 1167	10 x 1167
		2 x 1233	3 x 1233	4 x 1233	5 x 1233	6 x 1233	7 x 1233	8 x 1233	9 x 1233	10 x 1233
⑫		2 x 1984	2 x 1984	2 x 1984	2 x 1984	2 x 1984	2 x 1984	2 x 1984	2 x 1984	2 x 1984
⑬		1 x 1930	1 x 1930	1 x 1930	1 x 1930	1 x 1930	1 x 1930	1 x 1930	1 x 1930	1 x 1930
⑭		1 x	1 x	1 x	1 x	1 x	1 x	1 x	1 x	1 x
R2		33 l/m	37 l/m	40 l/m	44 l/m	49 l/m	54 l/m	57 l/m	60 l/m	63 l/m
		33 l/m	37 l/m	40 l/m	44 l/m	49 l/m	54 l/m	57 l/m	60 l/m	63 l/m
⑰		2 x 500	2 x 500	2 x 500	2 x 500	2 x 500	2 x 500	2 x 500	2 x 500	2 x 500

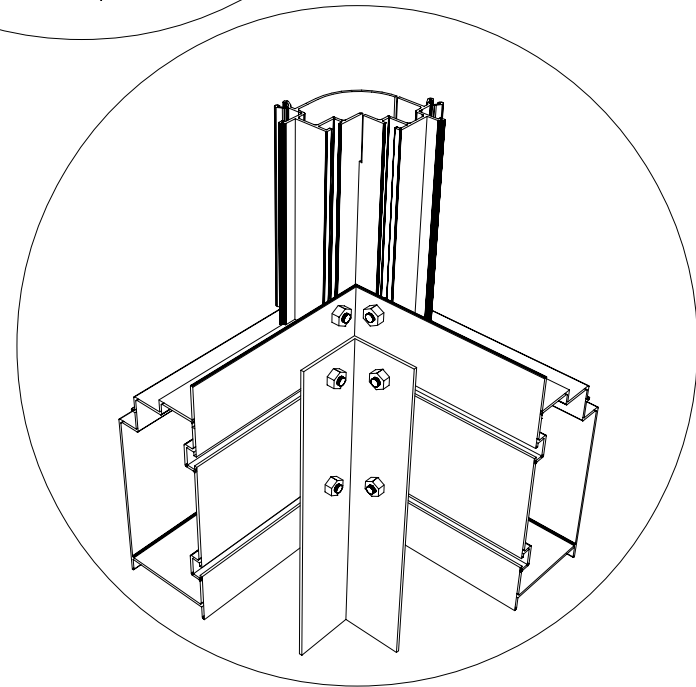
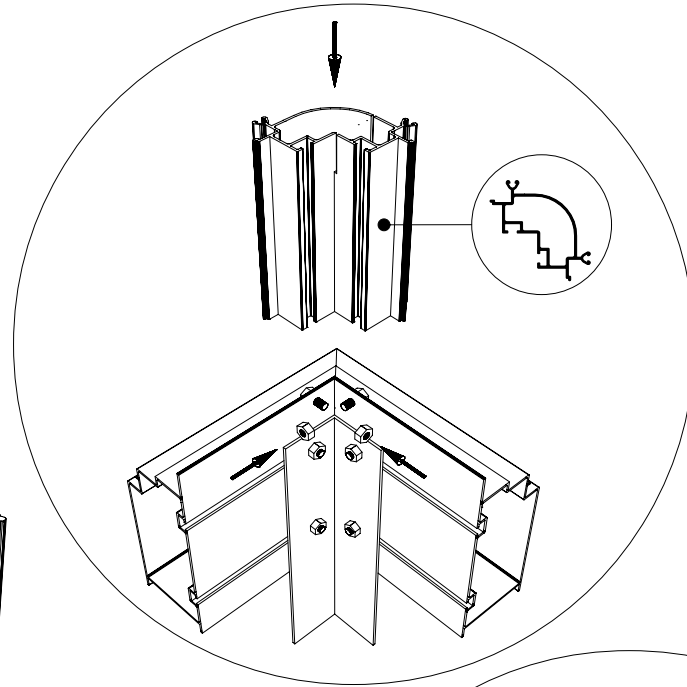
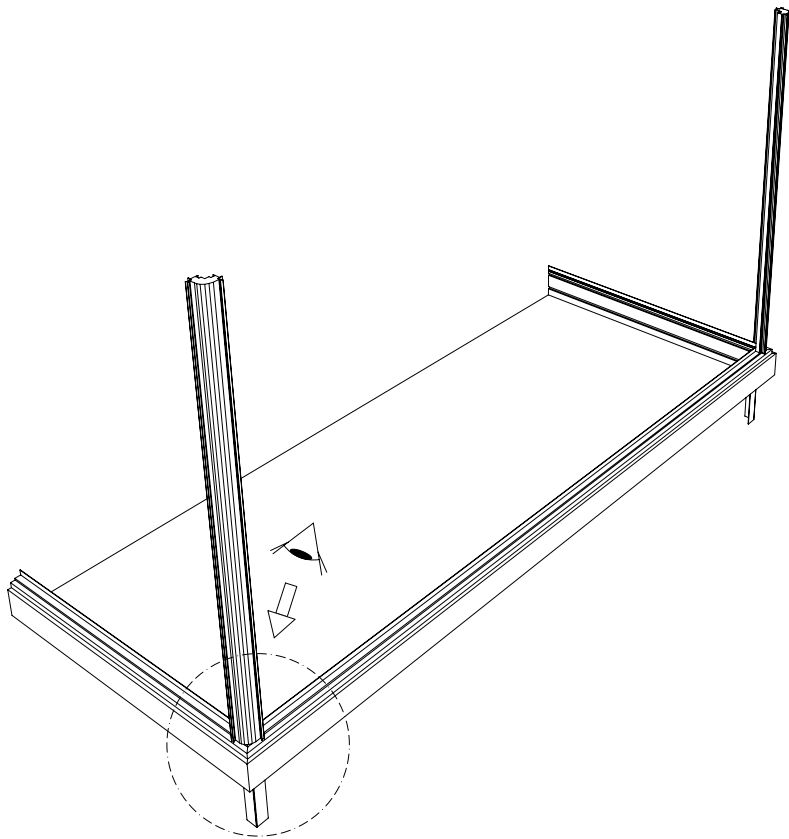
A	1,56 X	2,36	3,09	3,80	4,57	5,30	6,04	6,77	7,53	8,30
1-1A		1 x 2347	1 x 3086	1 x 3821	1 x 4558	1 x 5296	1 x 6034	1 x 6769	1 x 7506	1 x 8243
		2 x 1560	2 x 1560	2 x 1560	2 x 1560	2 x 1560	2 x 1560	2 x 1560	2 x 1560	2 x 1560
2-11°	(11°)	1 x 2347	1 x 3086	1 x 3821	1 x 4558	1 x 5296	1 x 6034	1 x 6769	1 x 7506	1 x 8243
(2)	(25°)	1 x 2347	1 x 3086	1 x 3821	1 x 4558	1 x 5296	1 x 6034	1 x 6769	1 x 7506	1 x 8243
3-11°	(11°)	1 x 2347	1 x 3086	1 x 3821	1 x 4558	1 x 5296	1 x 6034	1 x 6769	1 x 7506	1 x 8243
3-25°	(25°)	1 x 2347	1 x 3086	1 x 3821	1 x 4558	1 x 5296	1 x 6034	1 x 6769	1 x 7506	1 x 8243
(4)		2 x 1505	2 x 1505	2 x 1505	2 x 1505	2 x 1505	2 x 1505	2 x 1505	2 x 1505	2 x 1505
(5)		2 x 1633	2 x 1633	2 x 1633	2 x 1633	2 x 1633	2 x 1633	2 x 1633	2 x 1633	2 x 1633
(6)		2 x 1633	2 x 1633	2 x 1633	2 x 1633	2 x 1633	2 x 1633	2 x 1633	2 x 1633	2 x 1633
(7)	(11°)	2 x 1530	2 x 1530	2 x 1530	2 x 1530	2 x 1530	2 x 1530	2 x 1530	2 x 1530	2 x 1530
	(25°)	2 x 1633	2 x 1633	2 x 1633	2 x 1633	2 x 1633	2 x 1633	2 x 1633	2 x 1633	2 x 1633
(8)		1 x 2360	1 x 2980	1 x 2980	1 x 2980	1 x 2980	1 x 2980	1 x 2980	1 x 2980	1 x 2980
(9)		1 x 2360	1 x 2980	1 x 2980	1 x 2980	1 x 2980	1 x 2980	1 x 2980	1 x 2980	1 x 2980
(10)	(11°)	2 x 1975	2 x 1975	2 x 1975	2 x 1975	2 x 1975	2 x 1975	2 x 1975	2 x 1975	2 x 1975
	(25°)	2 x 2300	2 x 2300	2 x 2300	2 x 2300	2 x 2300	2 x 2300	2 x 2300	2 x 2300	2 x 2300
		2 x 1633	3 x 1633	4 x 1633	5 x 1633	6 x 1633	7 x 1633	8 x 1633	9 x 1633	10 x 1633
	(11°)	2 x 1530	3 x 1530	4 x 1530	5 x 1530	6 x 1530	7 x 1530	8 x 1530	9 x 1530	10 x 1530
	(25°)	2 x 1633	3 x 1633	4 x 1633	5 x 1633	6 x 1633	7 x 1633	8 x 1633	9 x 1633	10 x 1633
(12)		2 x 1796	2 x 1796	2 x 1796	2 x 1796	2 x 1796	2 x 1796	2 x 1796	2 x 1796	2 x 1796
(13)		1 x 1730	1 x 1730	1 x 1730	1 x 1730	1 x 1730	1 x 1730	1 x 1730	1 x 1730	1 x 1730
(14)		1 x	1 x	1 x	1 x	1 x	1 x	1 x	1 x	1 x
(R2)	(11°)	30 l/m	36 l/m	38 l/m	42 l/m	45 l/m	50 l/m	54 l/m	60 l/m	64 l/m
	(25°)	30 l/m	36 l/m	38 l/m	42 l/m	45 l/m	50 l/m	54 l/m	60 l/m	64 l/m
(17)		2 x 500	2 x 500	2 x 500	2 x 500	2 x 500	2 x 500	2 x 500	2 x 500	2 x 500
(18)		1 x 770	1 x 770	2 x 770	2 x 770	2 x 770	3 x 770	3 x 770	4 x 770	4 x 770
(19)		2 x 807	2 x 807	4 x 807	4 x 807	4 x 807	6 x 807	6 x 807	8 x 807	8 x 807
(20)		1 x 732	1 x 732	2 x 732	2 x 732	2 x 732	3 x 732	3 x 732	4 x 732	4 x 732
(21)		1 x 704	1 x 704	2 x 704	2 x 704	2 x 704	3 x 704	3 x 704	4 x 704	4 x 704
(22)		1 x	1 x	2 x	2 x	2 x	3 x	3 x	4 x	4 x
(R2)		1 x 695	1 x 695	2 x 695	2 x 695	2 x 695	3 x 695	3 x 695	4 x 695	4 x 695

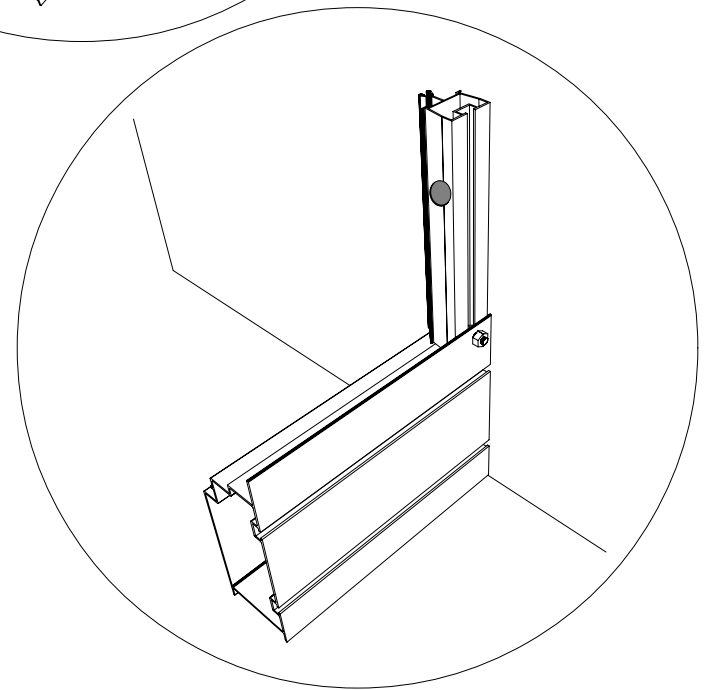
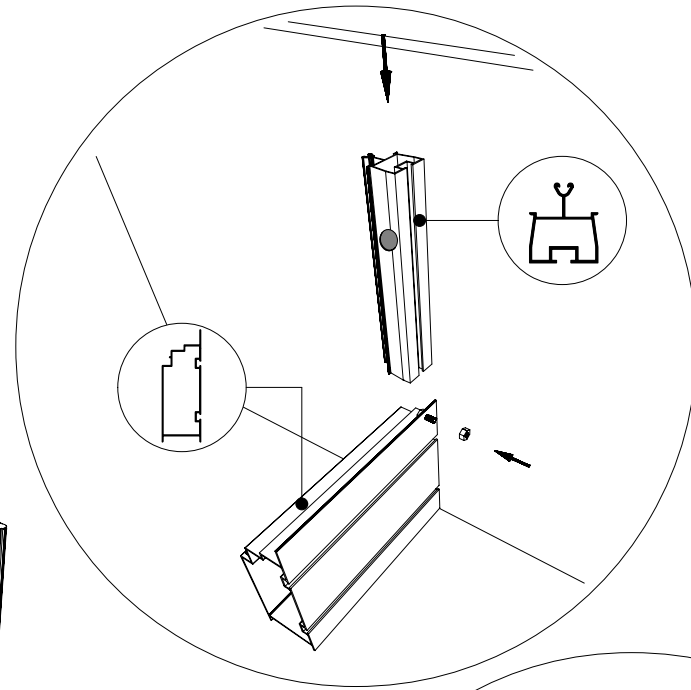
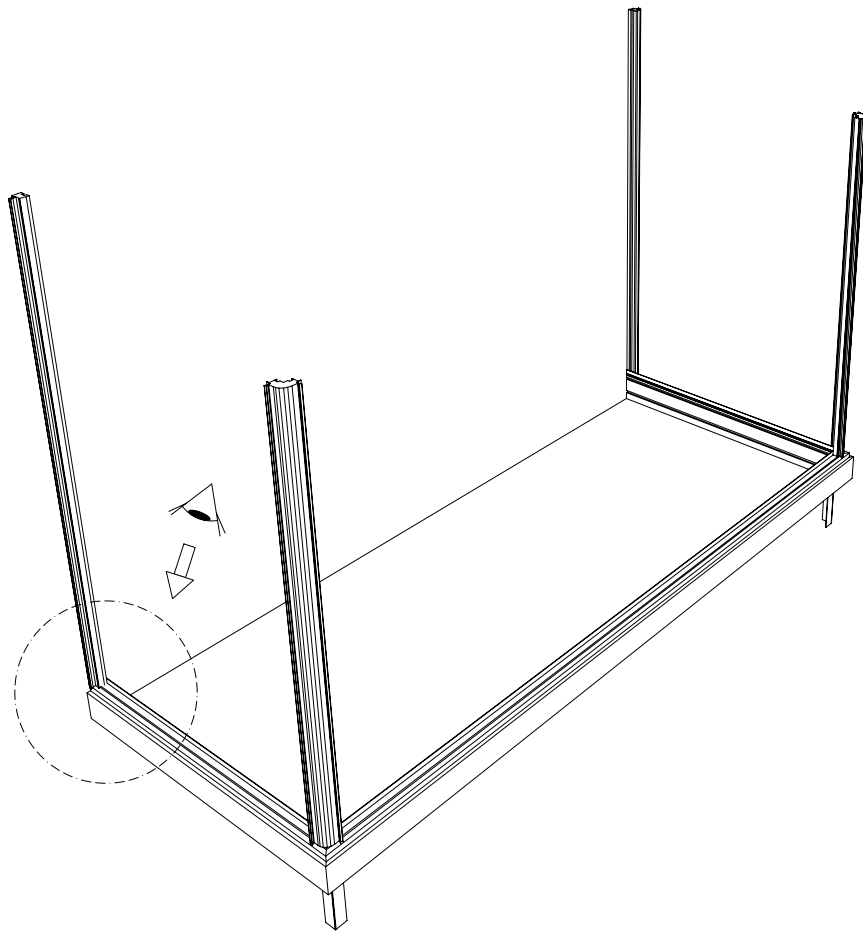
B	1,56 X	2,36	3,09	3,80	4,57	5,30	6,04	6,77	7,53	8,30
1-1A		1 x 2347	1 x 3086	1 x 3821	1 x 4558	1 x 5296	1 x 6034	1 x 6769	1 x 7506	1 x 8243
		2 x 1560	2 x 1560	2 x 1560	2 x 1560	2 x 1560	2 x 1560	2 x 1560	2 x 1560	2 x 1560
2-11°	(11°)	1 x 2347	1 x 3086	1 x 3821	1 x 4558	1 x 5296	1 x 6034	1 x 6769	1 x 7506	1 x 8243
(2)	(25°)	1 x 2347	1 x 3086	1 x 3821	1 x 4558	1 x 5296	1 x 6034	1 x 6769	1 x 7506	1 x 8243
3-11°	(11°)	1 x 2347	1 x 3086	1 x 3821	1 x 4558	1 x 5296	1 x 6034	1 x 6769	1 x 7506	1 x 8243
3-25°	(25°)	1 x 2347	1 x 3086	1 x 3821	1 x 4558	1 x 5296	1 x 6034	1 x 6769	1 x 7506	1 x 8243
(4)		2 x 1505	2 x 1505	2 x 1505	2 x 1505	2 x 1505	2 x 1505	2 x 1505	2 x 1505	2 x 1505
(5)		2 x 1833	2 x 1833	2 x 1833	2 x 1833	2 x 1833	2 x 1833	2 x 1833	2 x 1833	2 x 1833
(6)		2 x 1833	2 x 1833	2 x 1833	2 x 1833	2 x 1833	2 x 1833	2 x 1833	2 x 1833	2 x 1833
(7)	(11°)	2 x 1530	2 x 1530	2 x 1530	2 x 1530	2 x 1530	2 x 1530	2 x 1530	2 x 1530	2 x 1530
	(25°)	2 x 1633	2 x 1633	2 x 1633	2 x 1633	2 x 1633	2 x 1633	2 x 1633	2 x 1633	2 x 1633
(8)		1 x 2360	1 x 2980	1 x 2980	1 x 2980	1 x 2980	1 x 2980	1 x 2980	1 x 2980	1 x 2980
(9)		1 x 2360	1 x 2980	1 x 2980	1 x 2980	1 x 2980	1 x 2980	1 x 2980	1 x 2980	1 x 2980
(10)	(11°)	2 x 2175	2 x 2175	2 x 2175	2 x 2175	2 x 2175	2 x 2175	2 x 2175	2 x 2175	2 x 2175
	(25°)	2 x 2500	2 x 2500	2 x 2500	2 x 2500	2 x 2500	2 x 2500	2 x 2500	2 x 2500	2 x 2500
		2 x 1833	3 x 1833	4 x 1833	5 x 1833	6 x 1833	7 x 1833	8 x 1833	9 x 1833	10 x 1833
	(11°)	2 x 1530	3 x 1530	4 x 1530	5 x 1530	6 x 1530	7 x 1530	8 x 1530	9 x 1530	10 x 1530
	(25°)	2 x 1633	3 x 1633	4 x 1633	5 x 1633	6 x 1633	7 x 1633	8 x 1633	9 x 1633	10 x 1633
(12)		2 x 1984	2 x 1984	2 x 1984	2 x 1984	2 x 1984	2 x 1984	2 x 1984	2 x 1984	2 x 1984
(13)		1 x 1930	1 x 1930	1 x 1930	1 x 1930	1 x 1930	1 x 1930	1 x 1930	1 x 1930	1 x 1930
(14)		1 x	1 x	1 x	1 x	1 x	1 x	1 x	1 x	1 x
(R2)	(11°)	34 l/m	38 l/m	44 l/m	47 l/m	52 l/m	55 l/m	59 l/m	63 l/m	70 l/m
	(25°)	36 l/m	41 l/m	46 l/m	49 l/m	52 l/m	56 l/m	60 l/m	64 l/m	70 l/m
(17)		2 x 500	2 x 500	2 x 500	2 x 500	2 x 500	2 x 500	2 x 500	2 x 500	2 x 500
(18)		1 x 770	1 x 770	2 x 770	2 x 770	2 x 770	3 x 770	3 x 770	4 x 770	4 x 770
(19)		2 x 807	2 x 807	4 x 807	4 x 807	4 x 807	6 x 807	6 x 807	8 x 807	8 x 807
(20)		1 x 732	1 x 732	2 x 732	2 x 732	2 x 732	3 x 732	3 x 732	4 x 732	4 x 732
(21)		1 x 704	1 x 704	2 x 704	2 x 704	2 x 704	3 x 704	3 x 704	4 x 704	4 x 704
(22)		1 x	1 x	2 x	2 x	2 x	3 x	3 x	4 x	4 x
(R7)		1 x 695	1 x 695	2 x 695	2 x 695	2 x 695	3 x 695	3 x 695	4 x 695	4 x 695

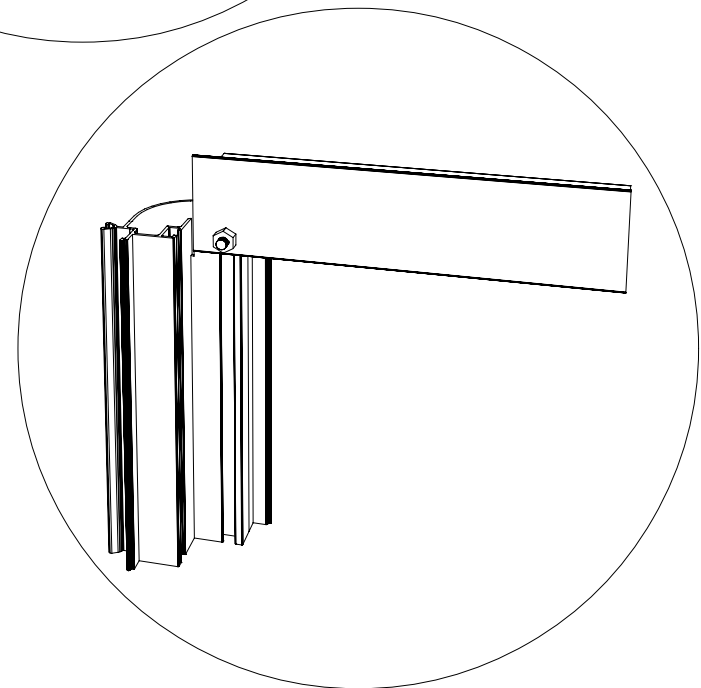
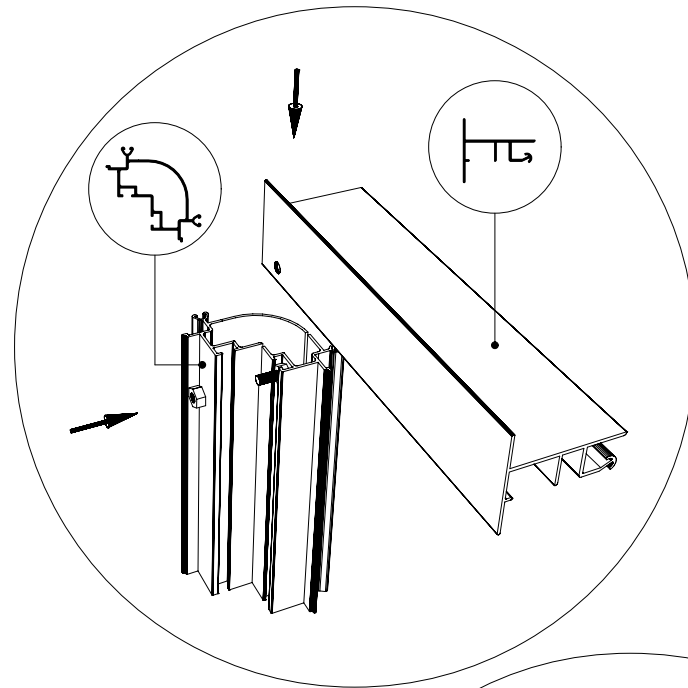
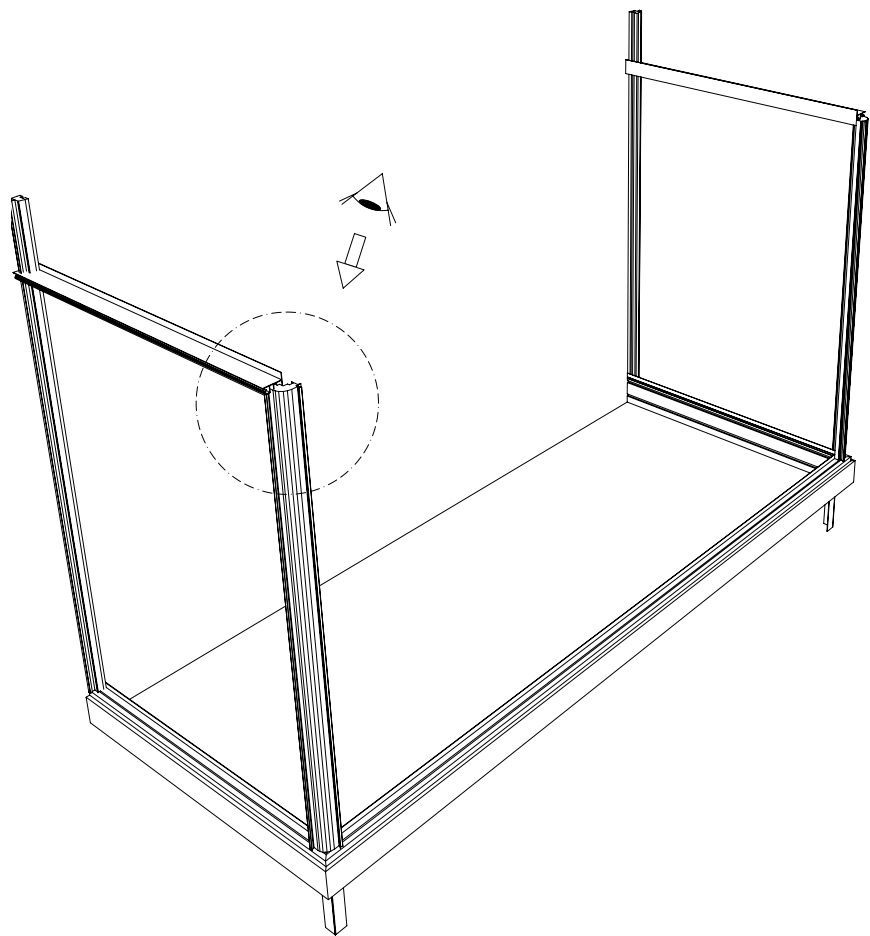


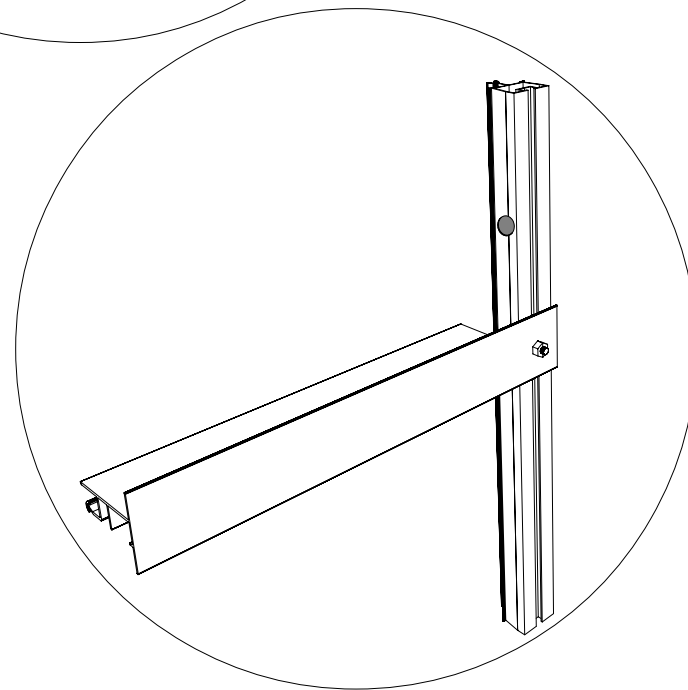
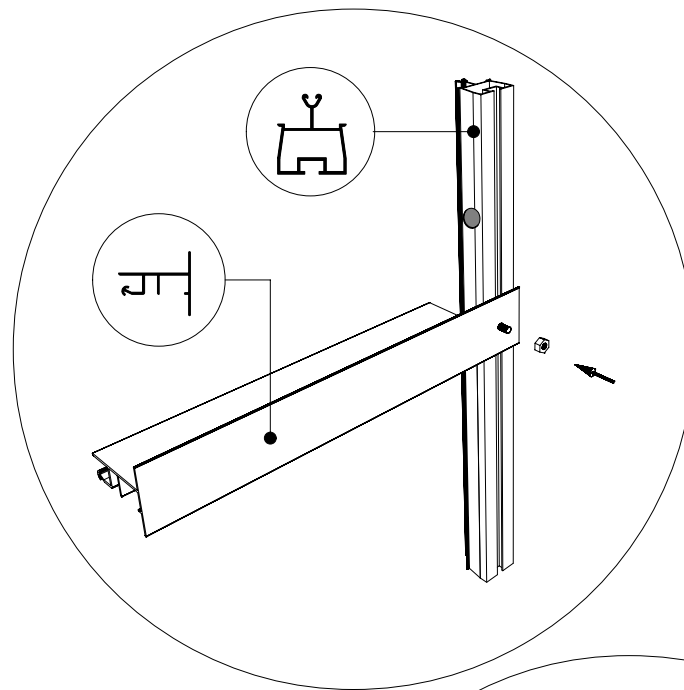
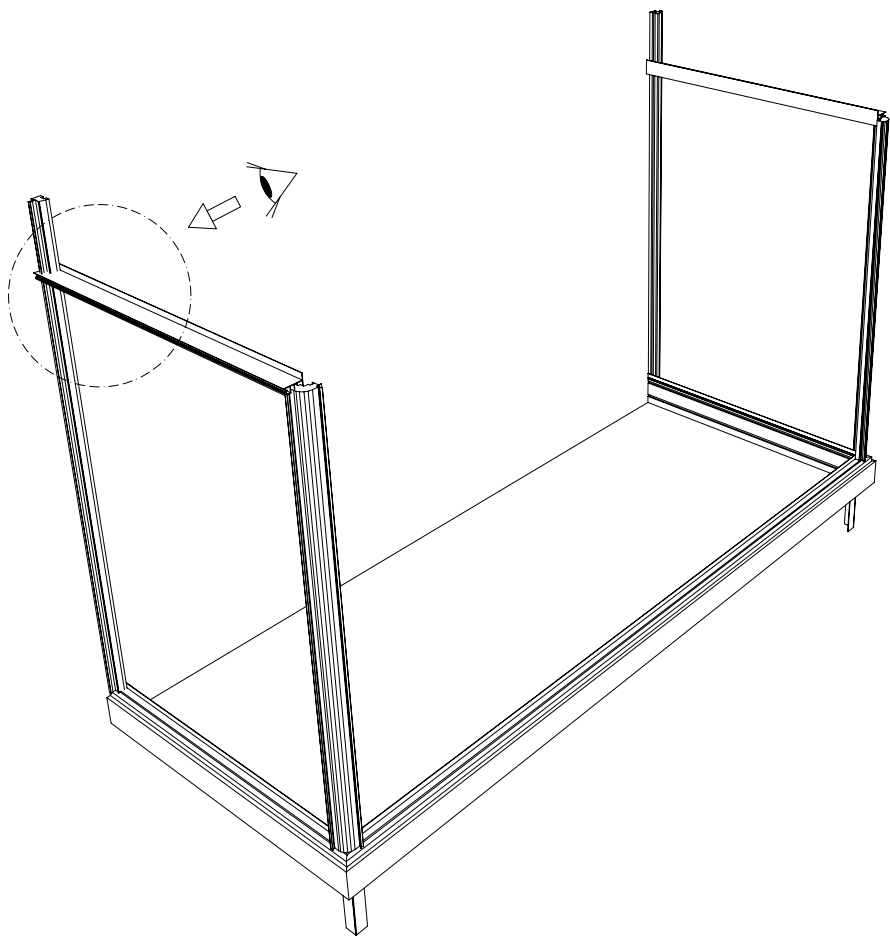
W	L
1180 / 1560	2347
	3086
	3821
	4550
	5296
	6034
	6769
	7506
	8243

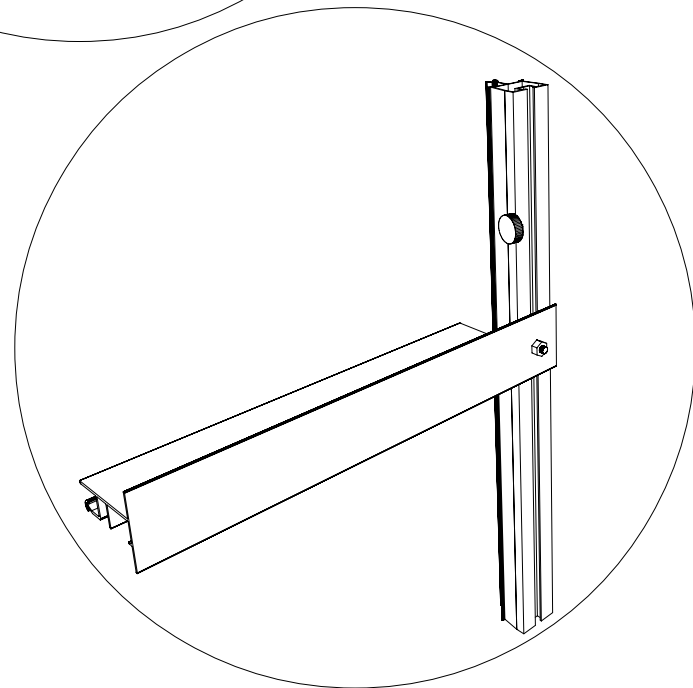
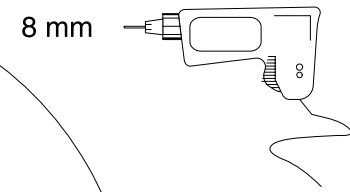
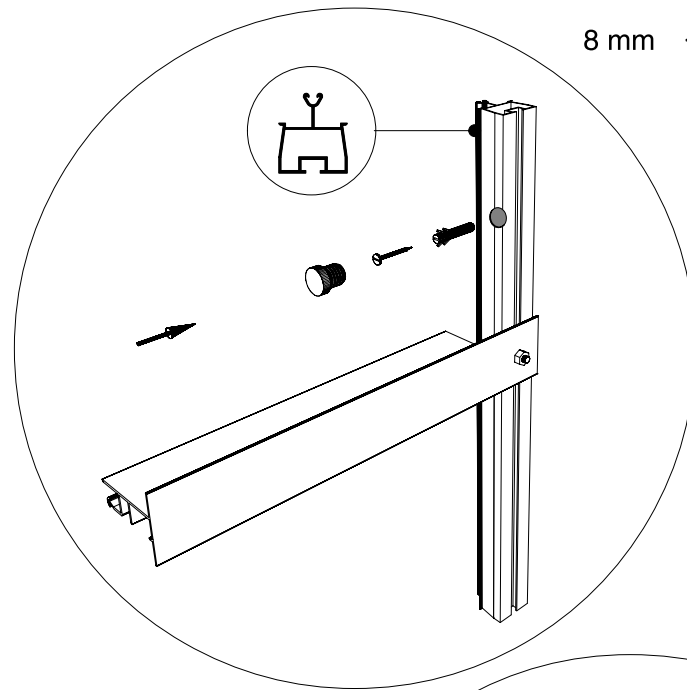
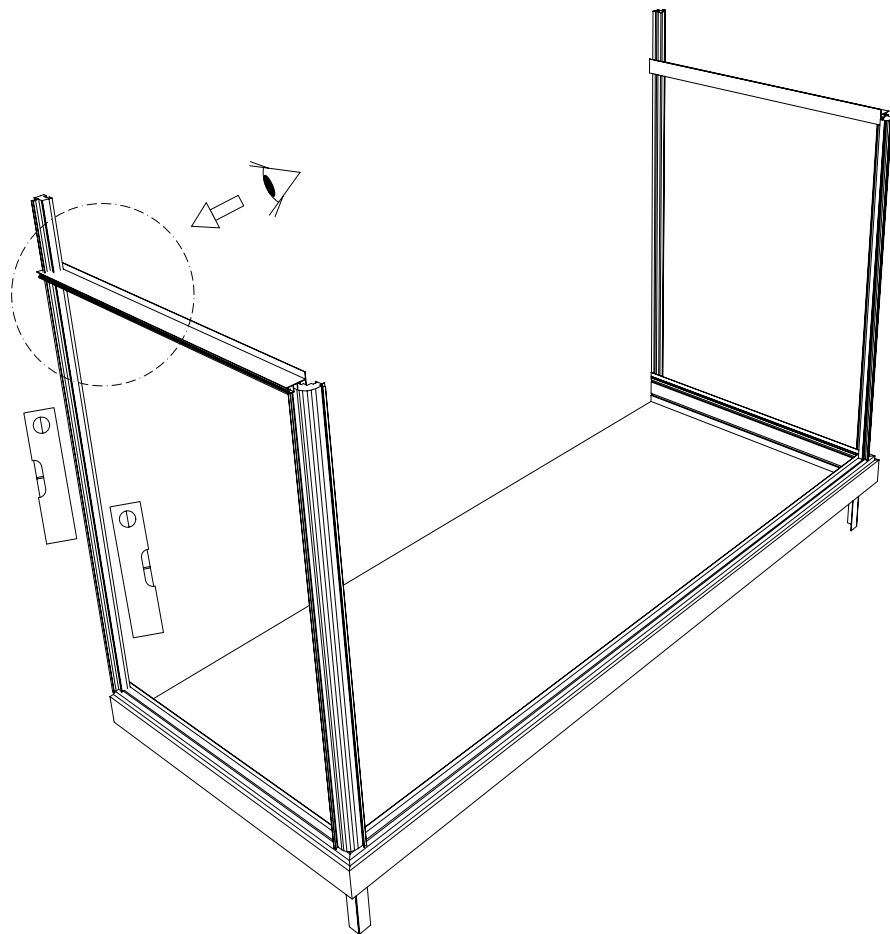


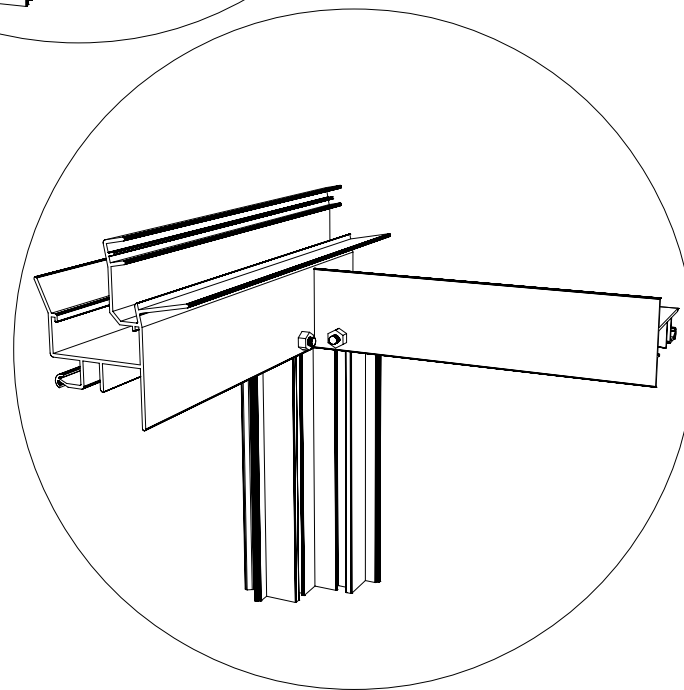
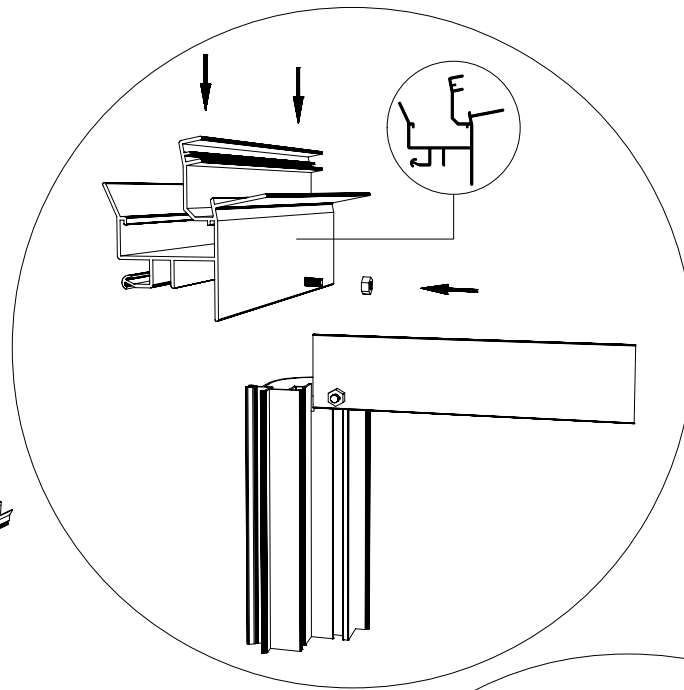
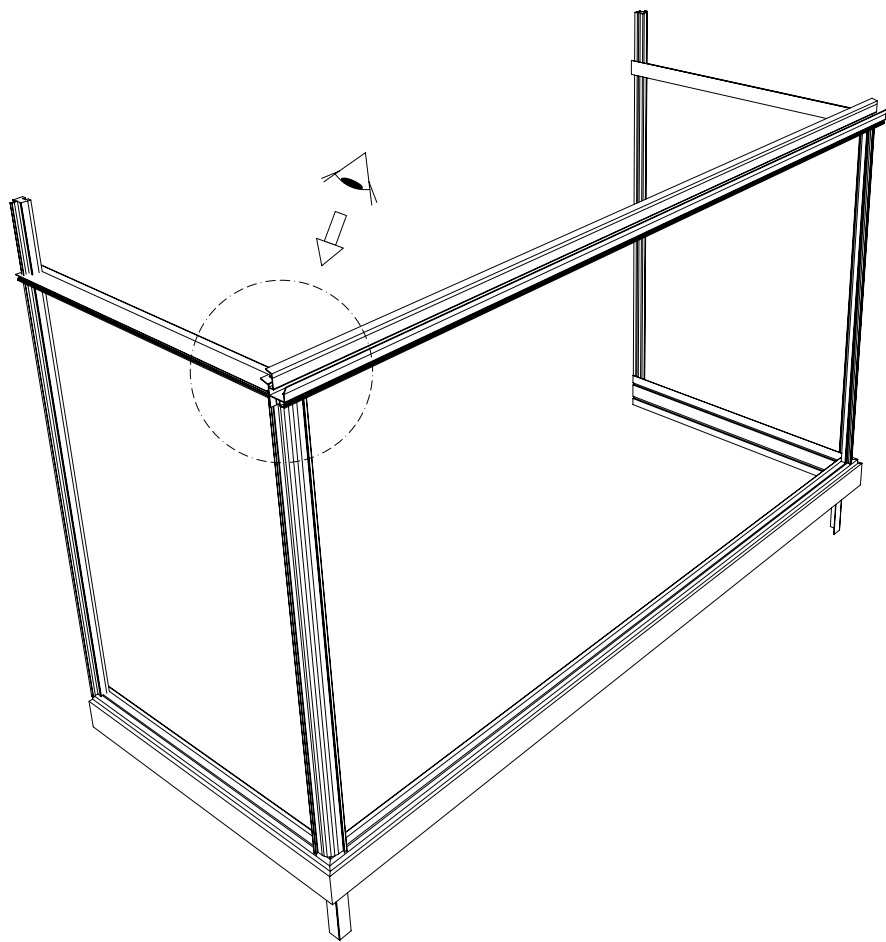


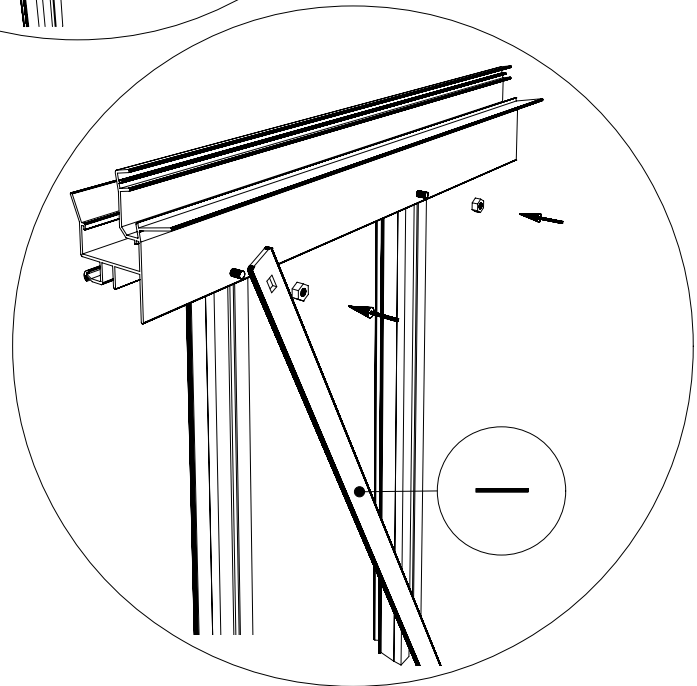
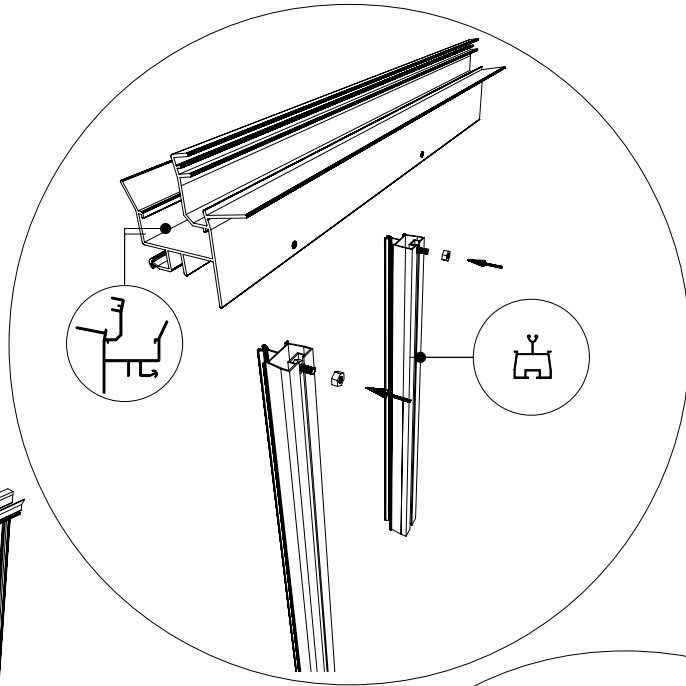
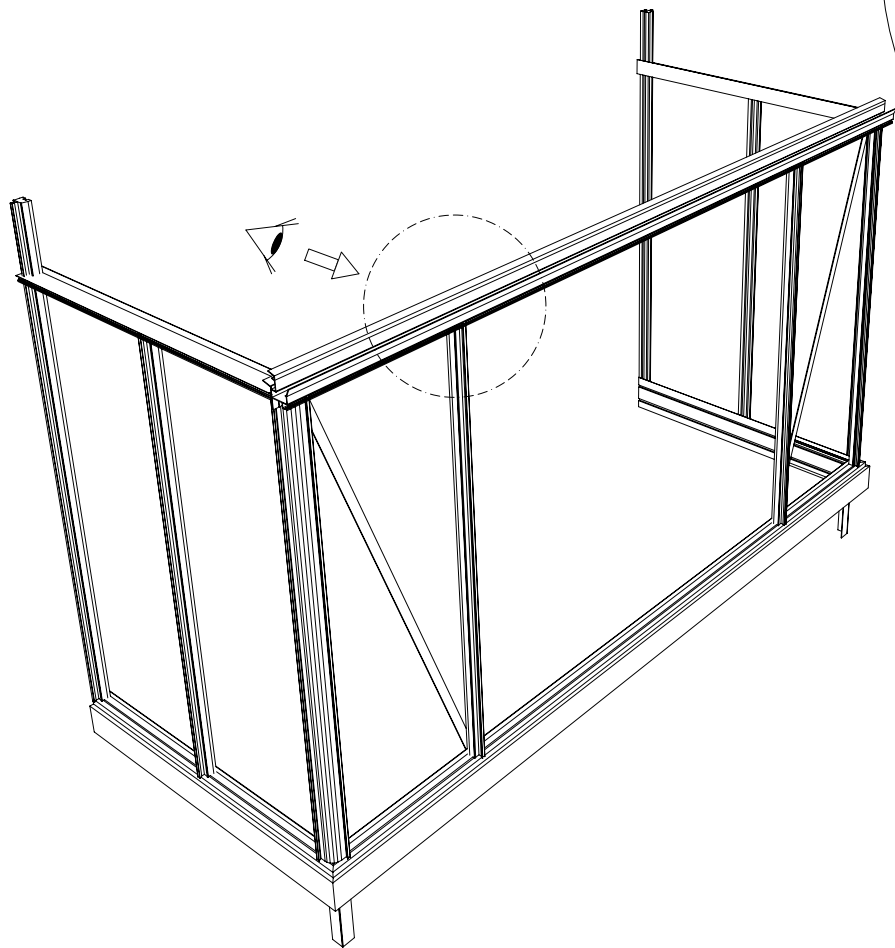


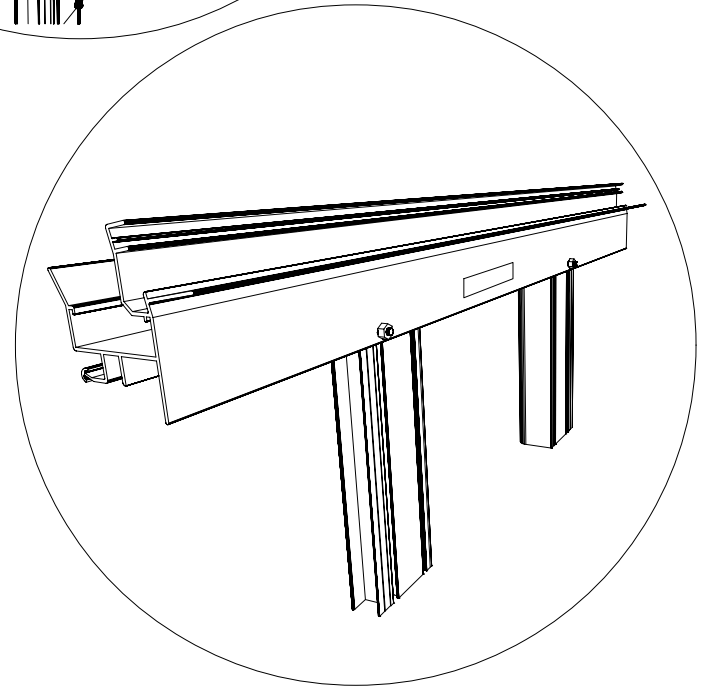
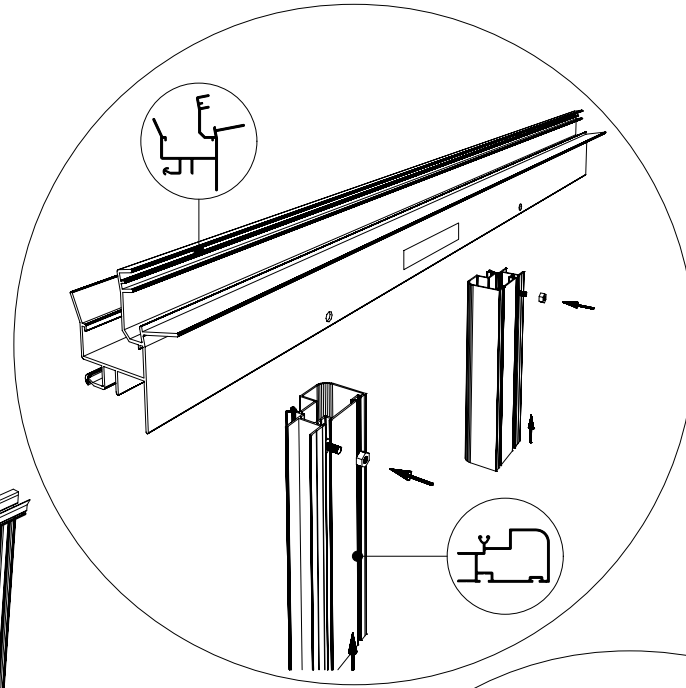
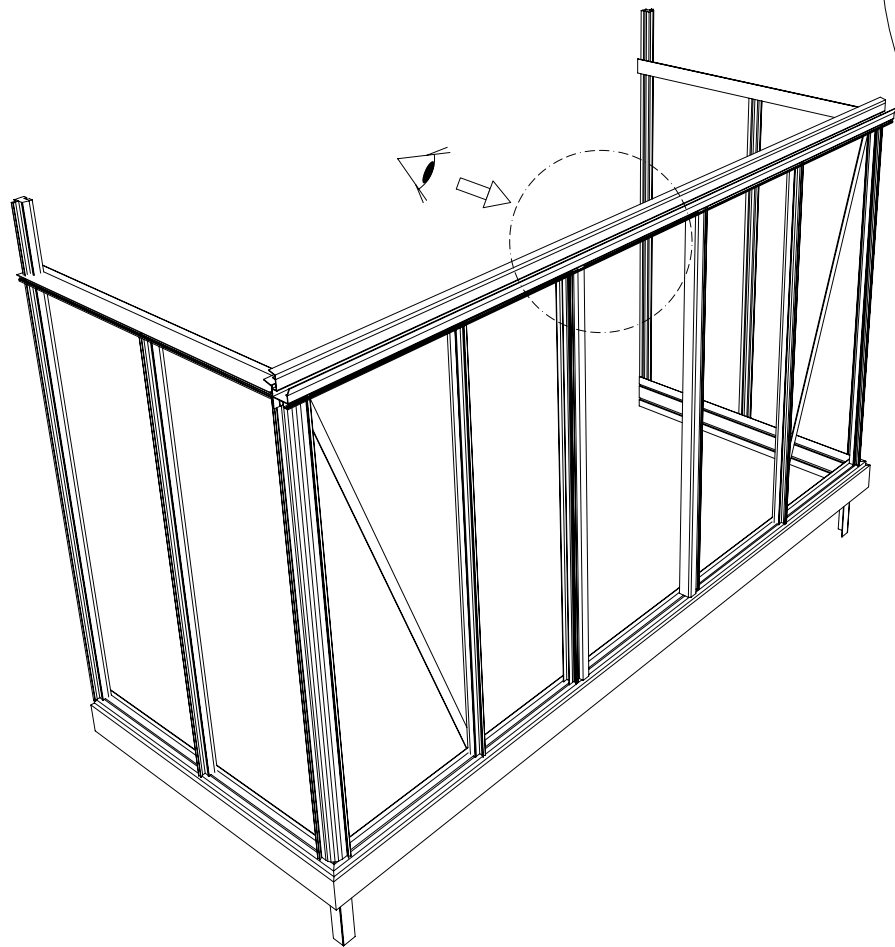


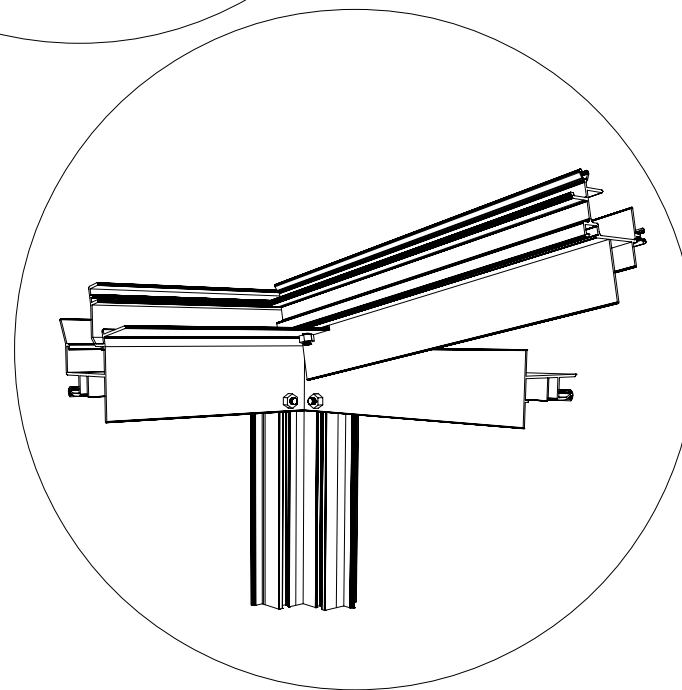
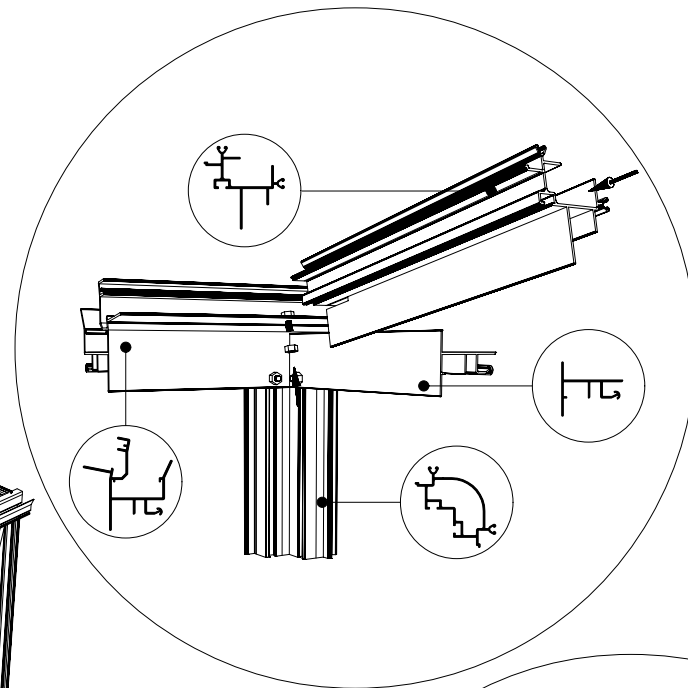
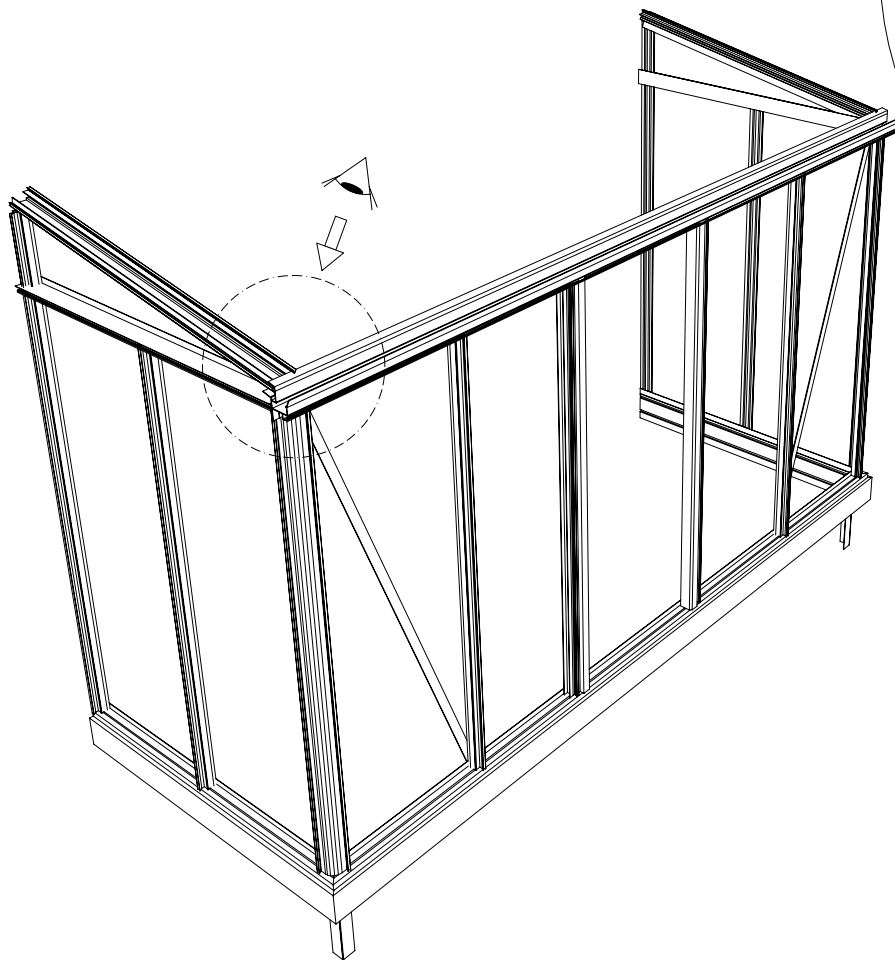


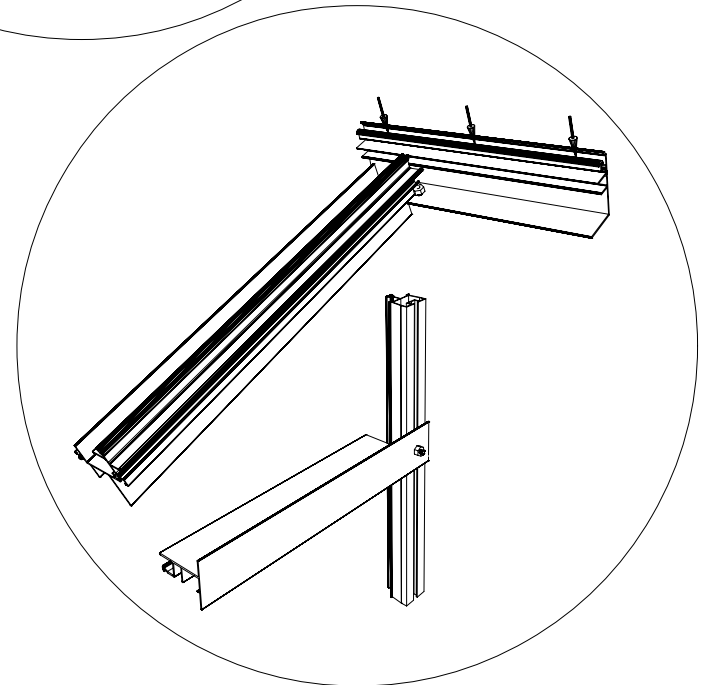
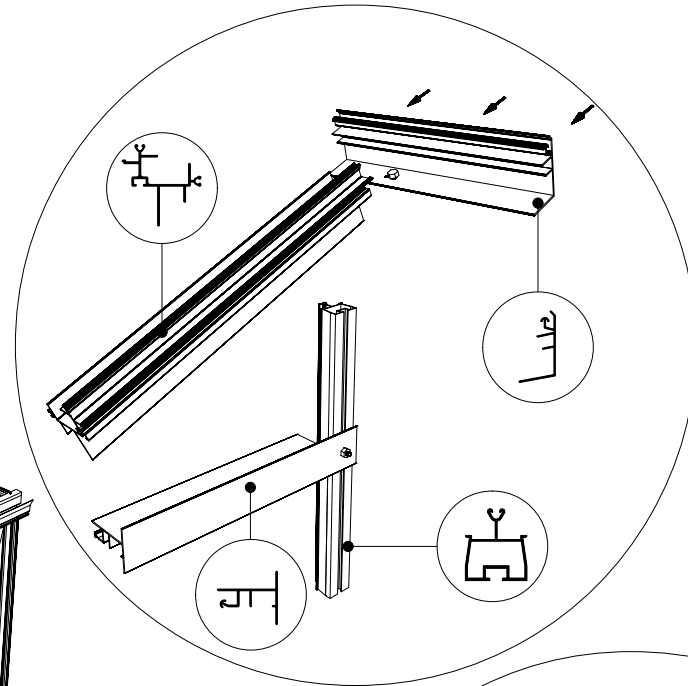
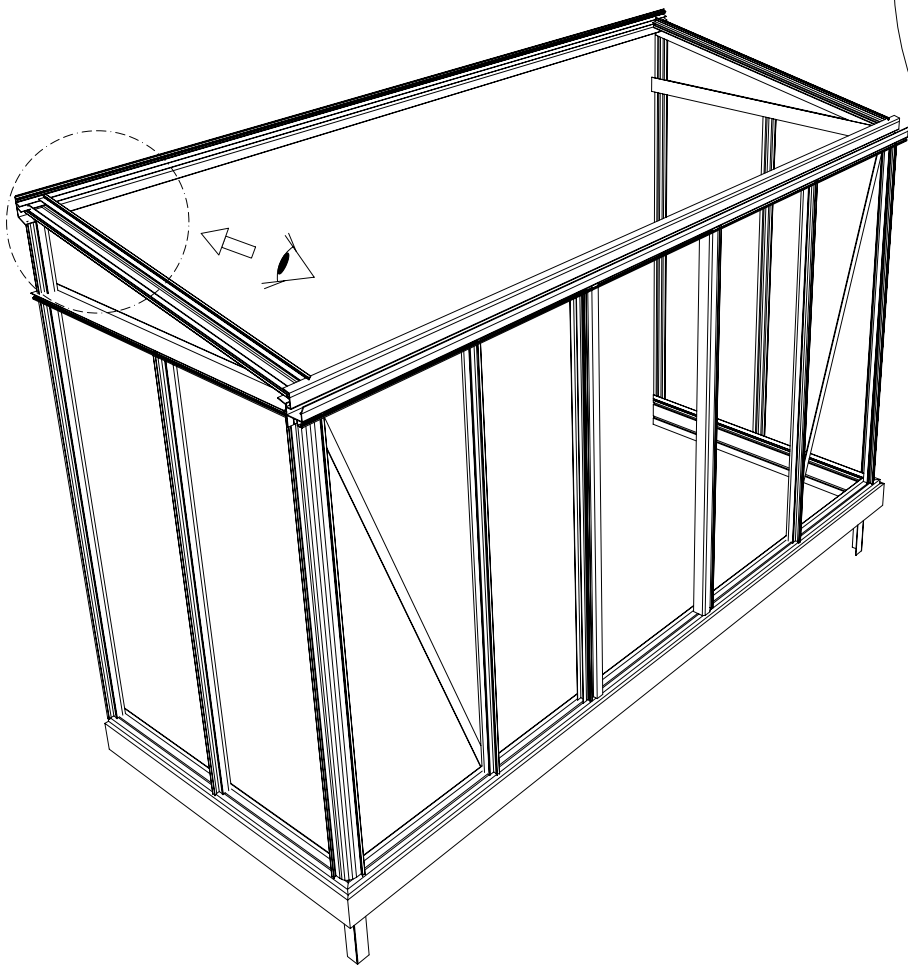


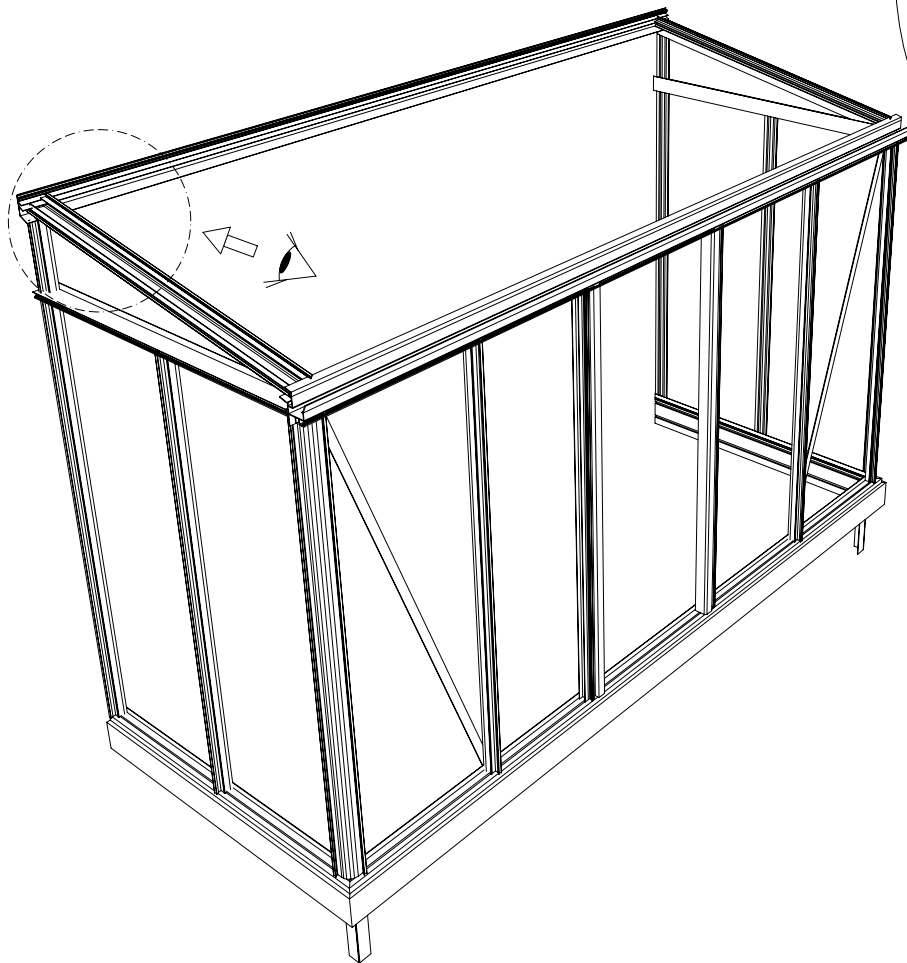
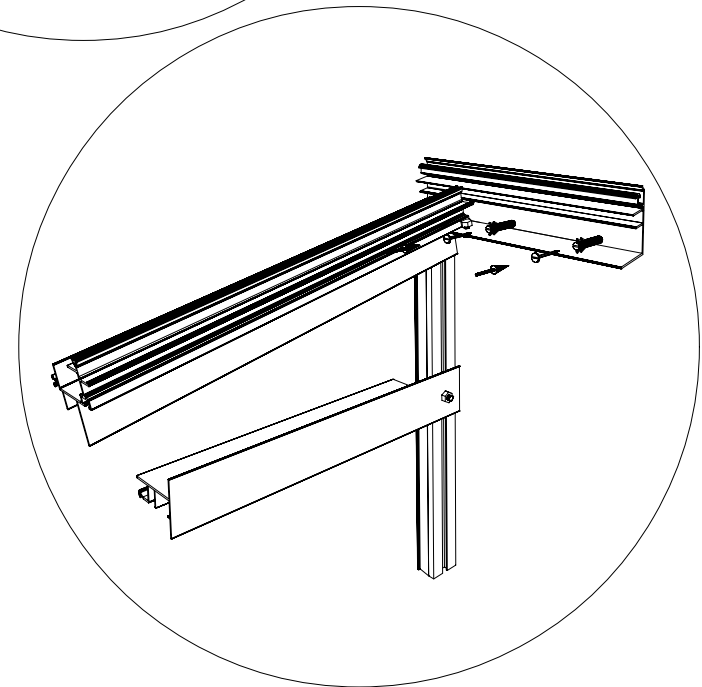
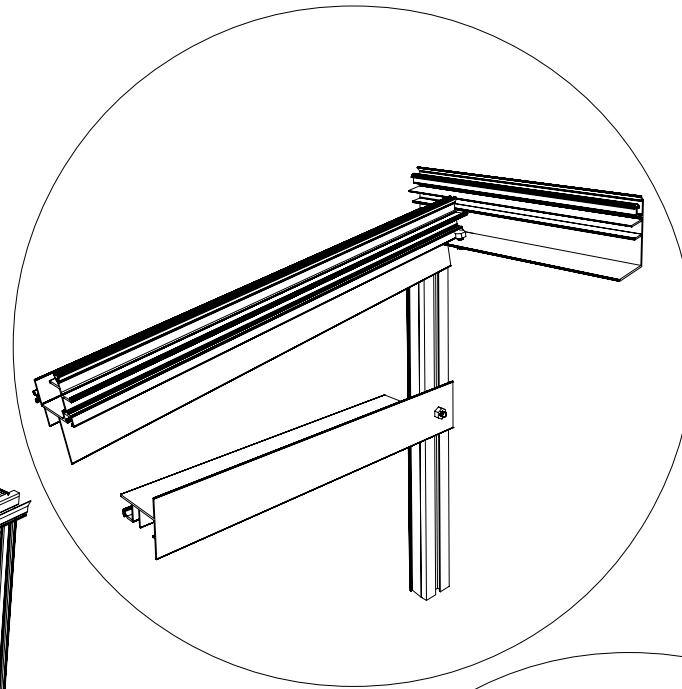
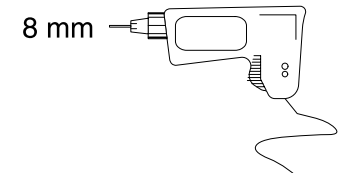


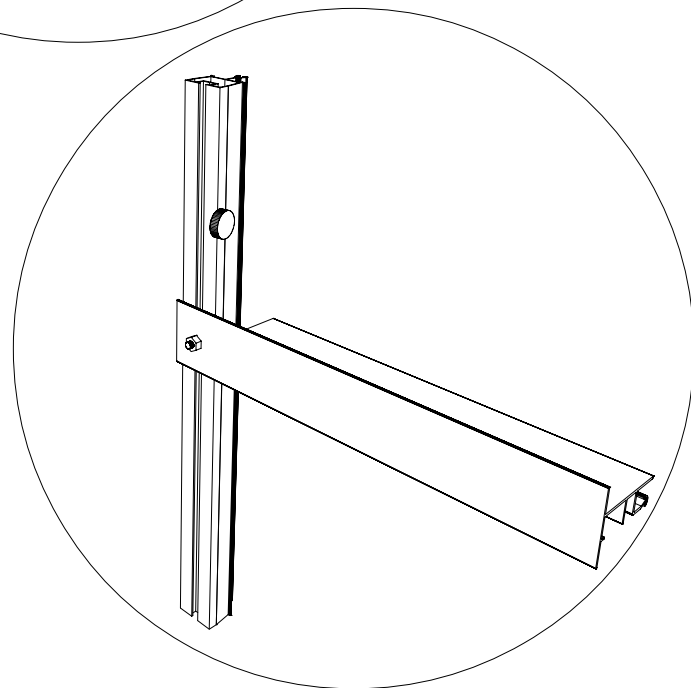
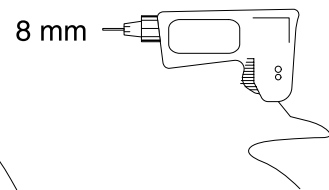
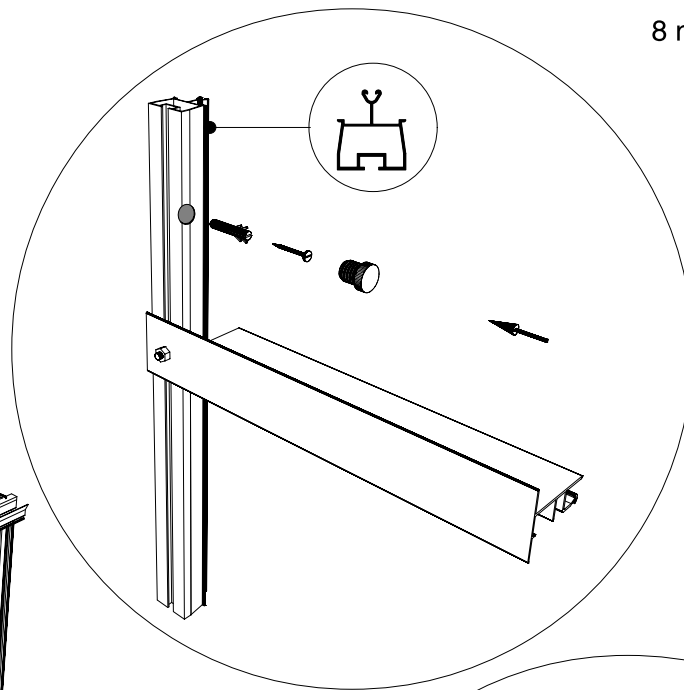
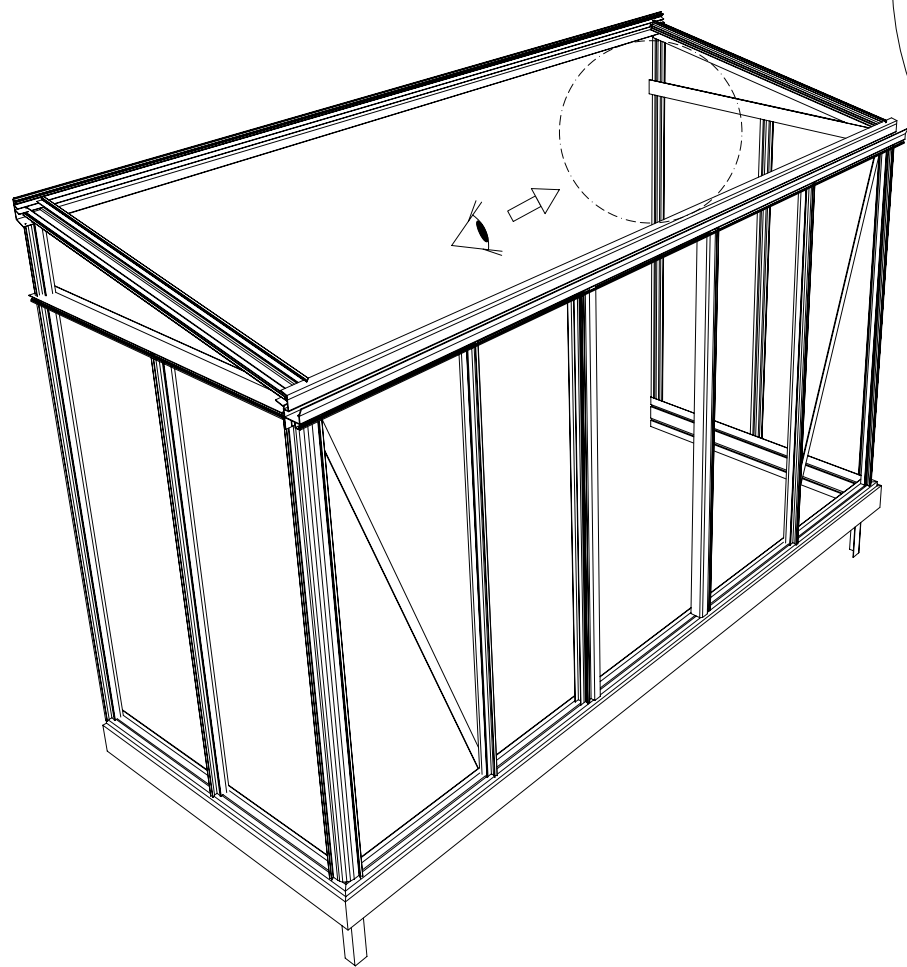


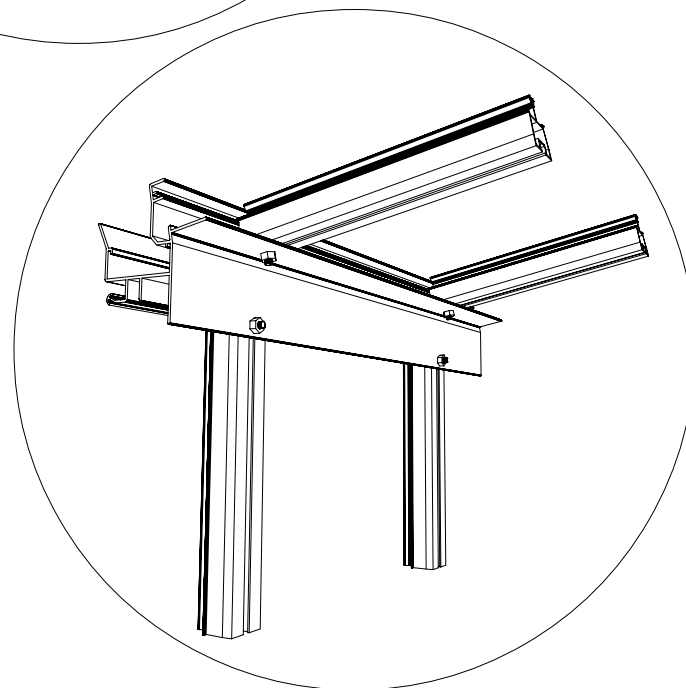
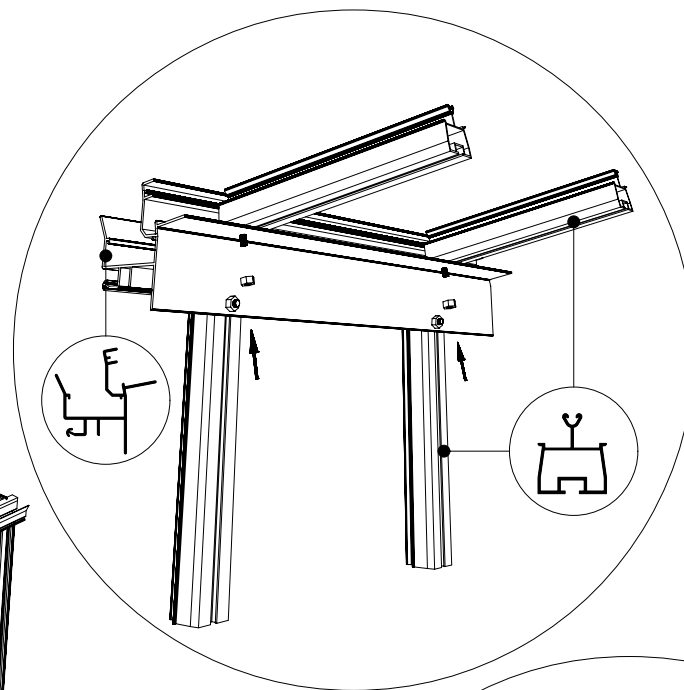
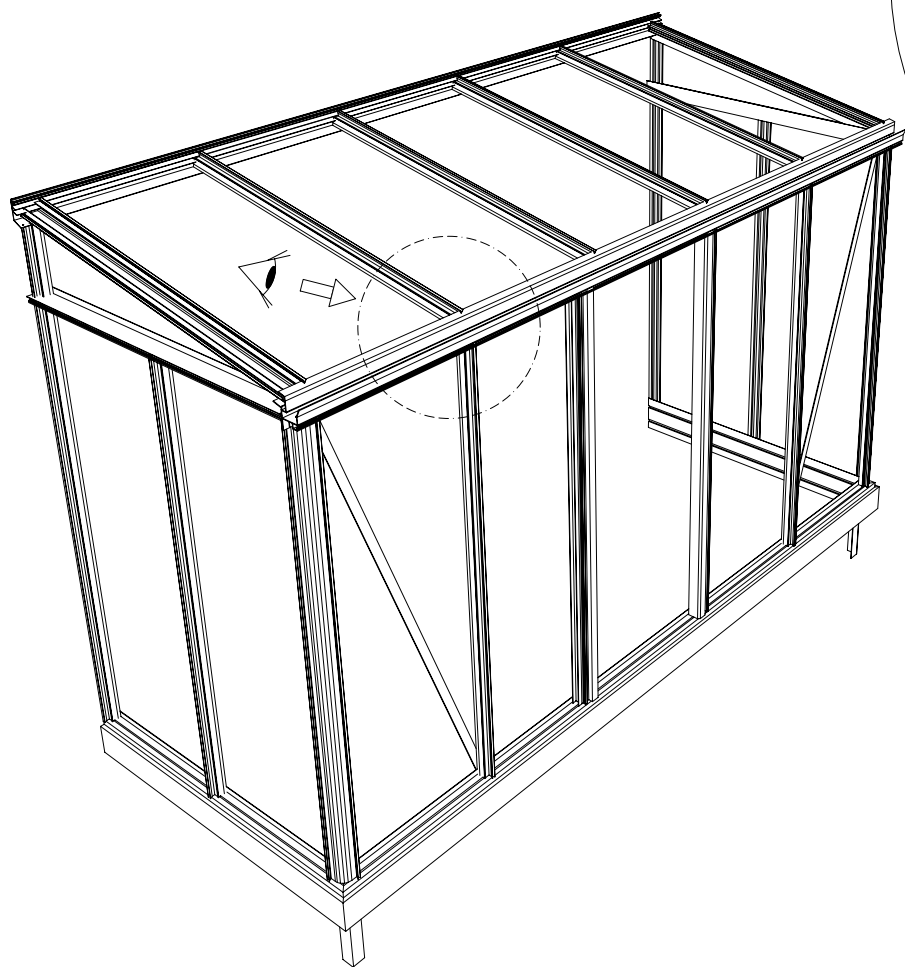


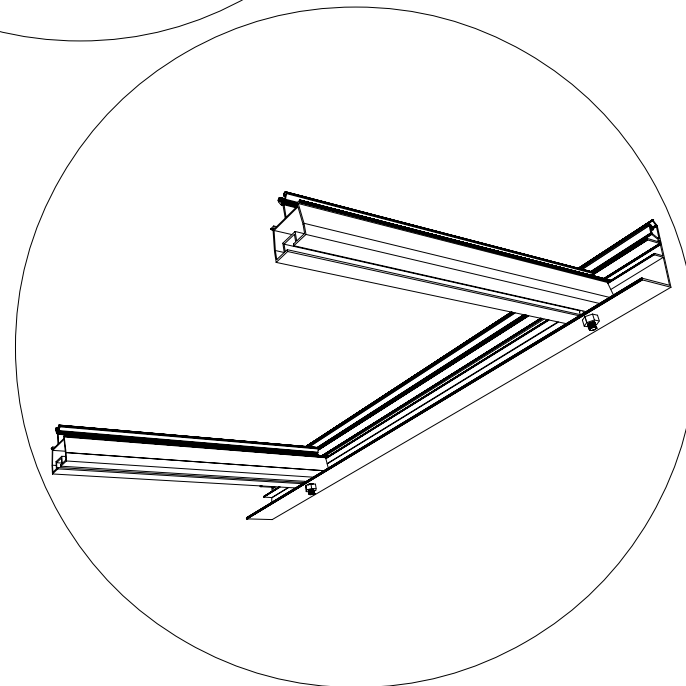
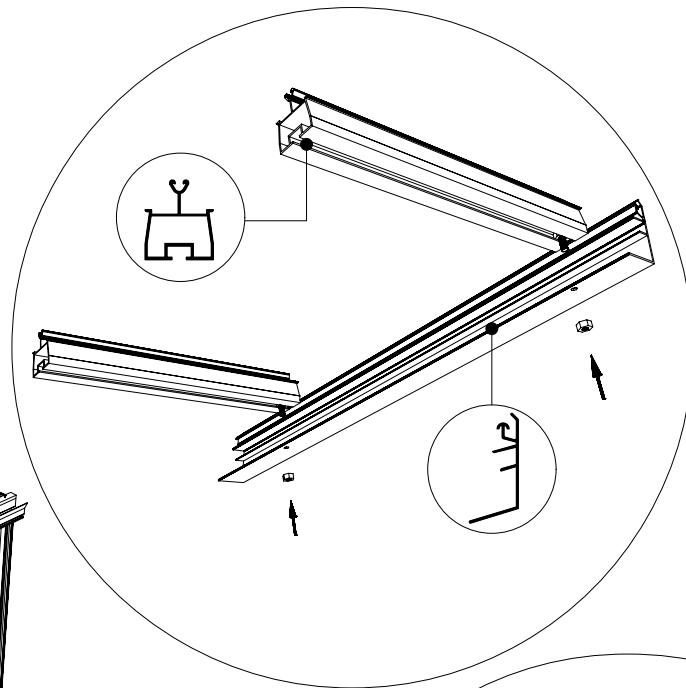
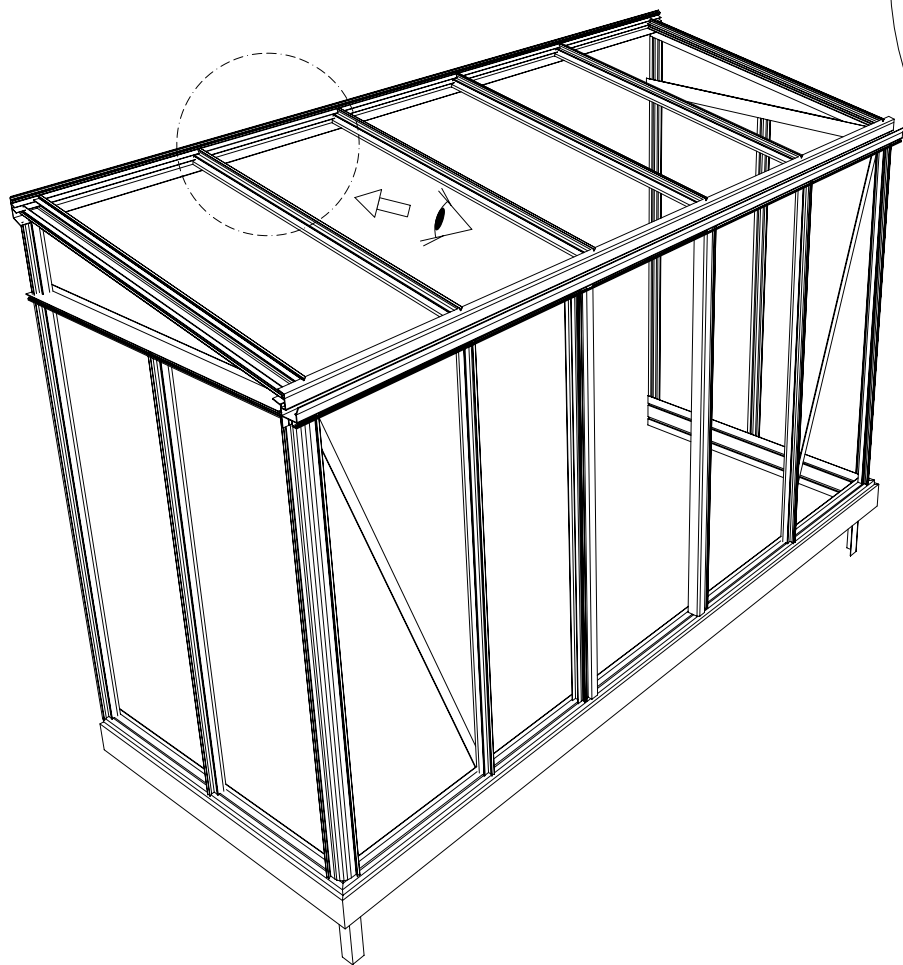


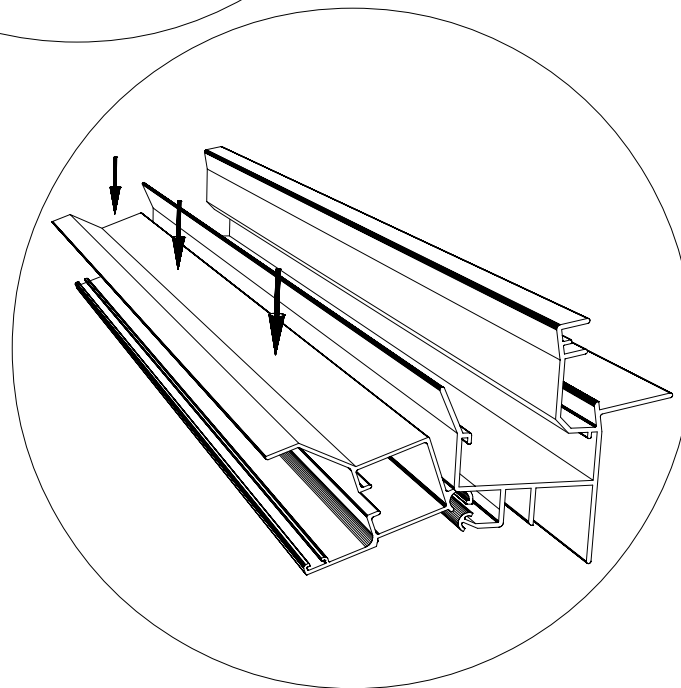
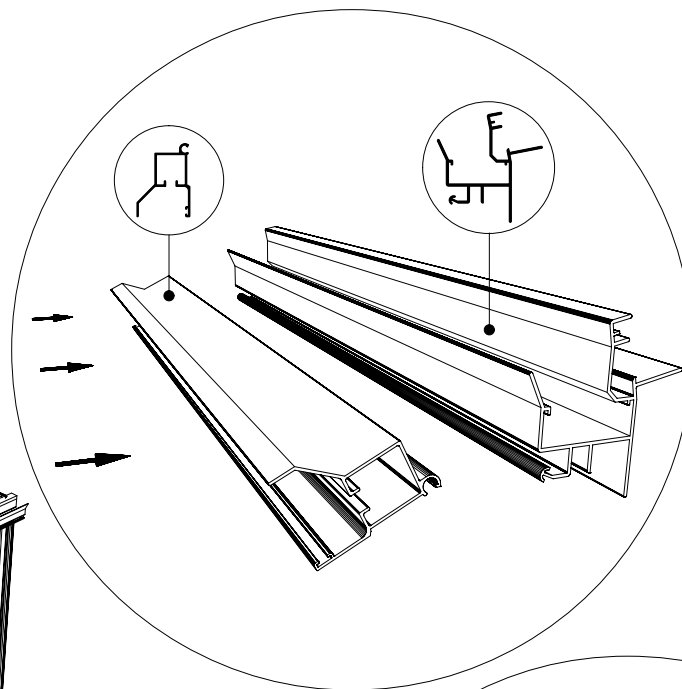
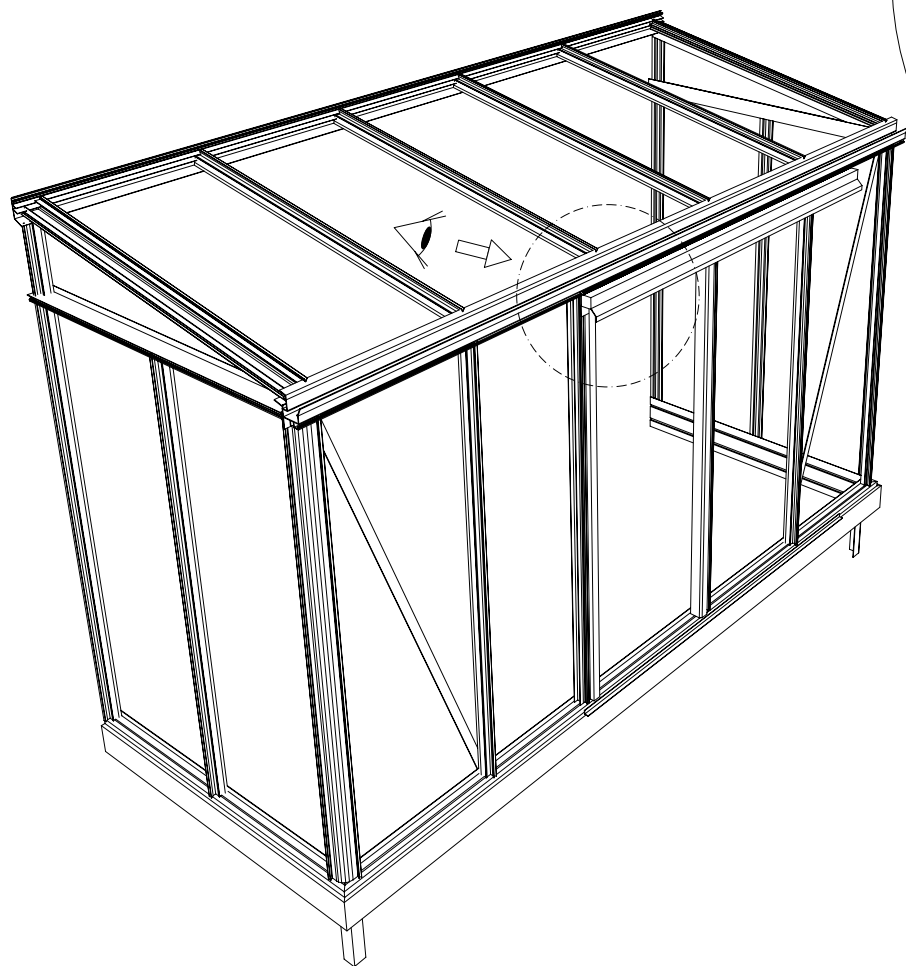


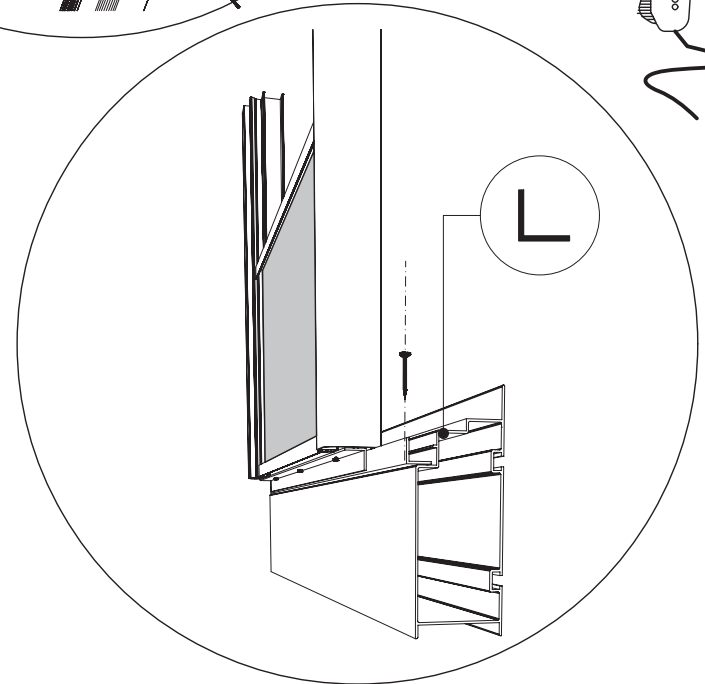
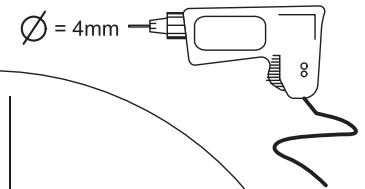
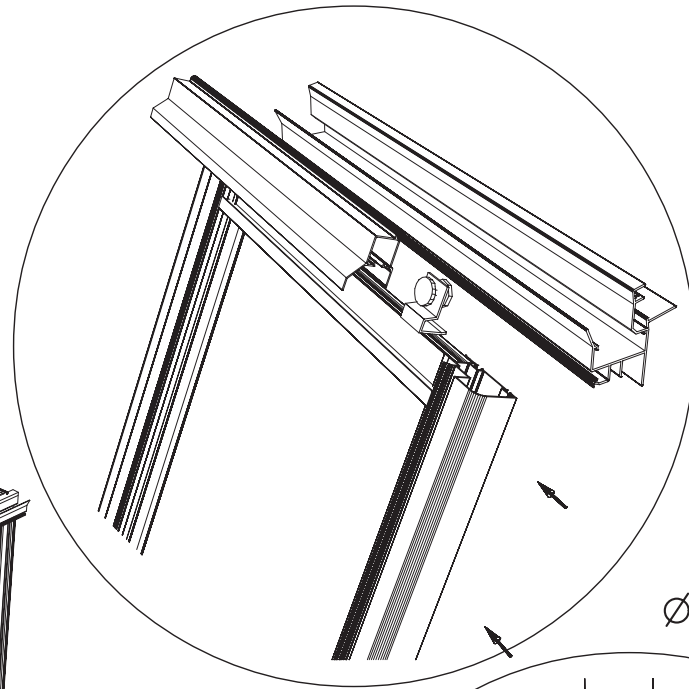
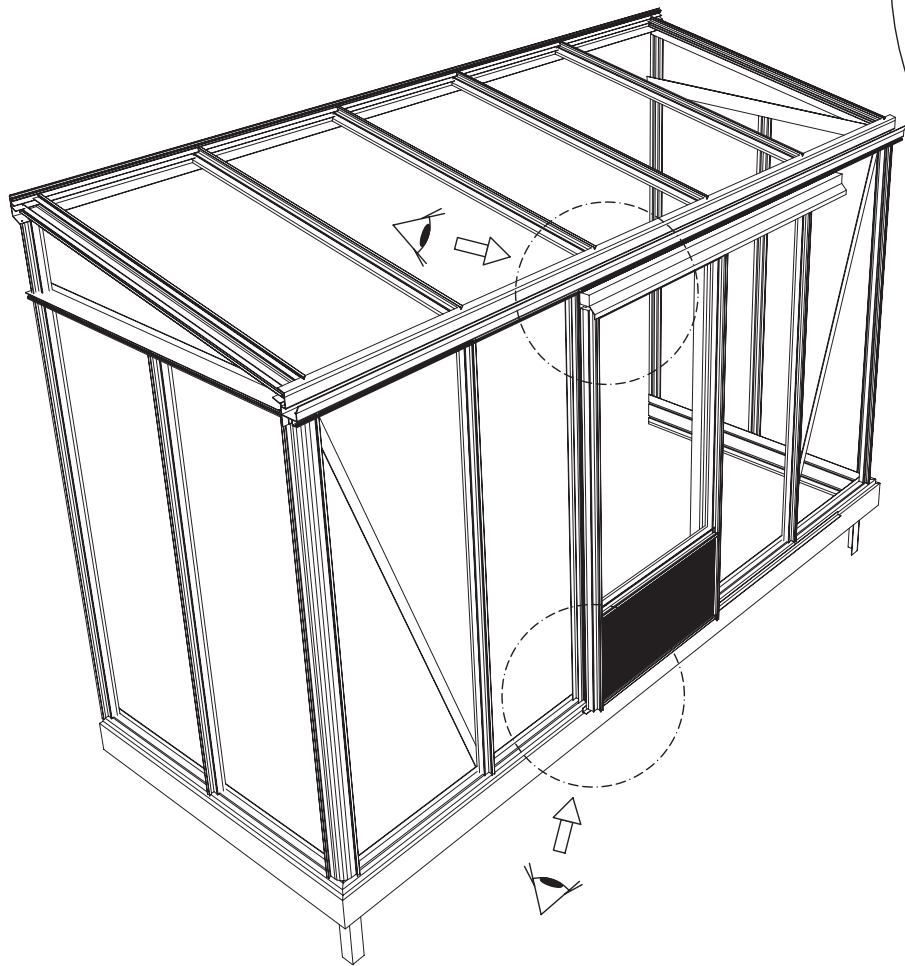








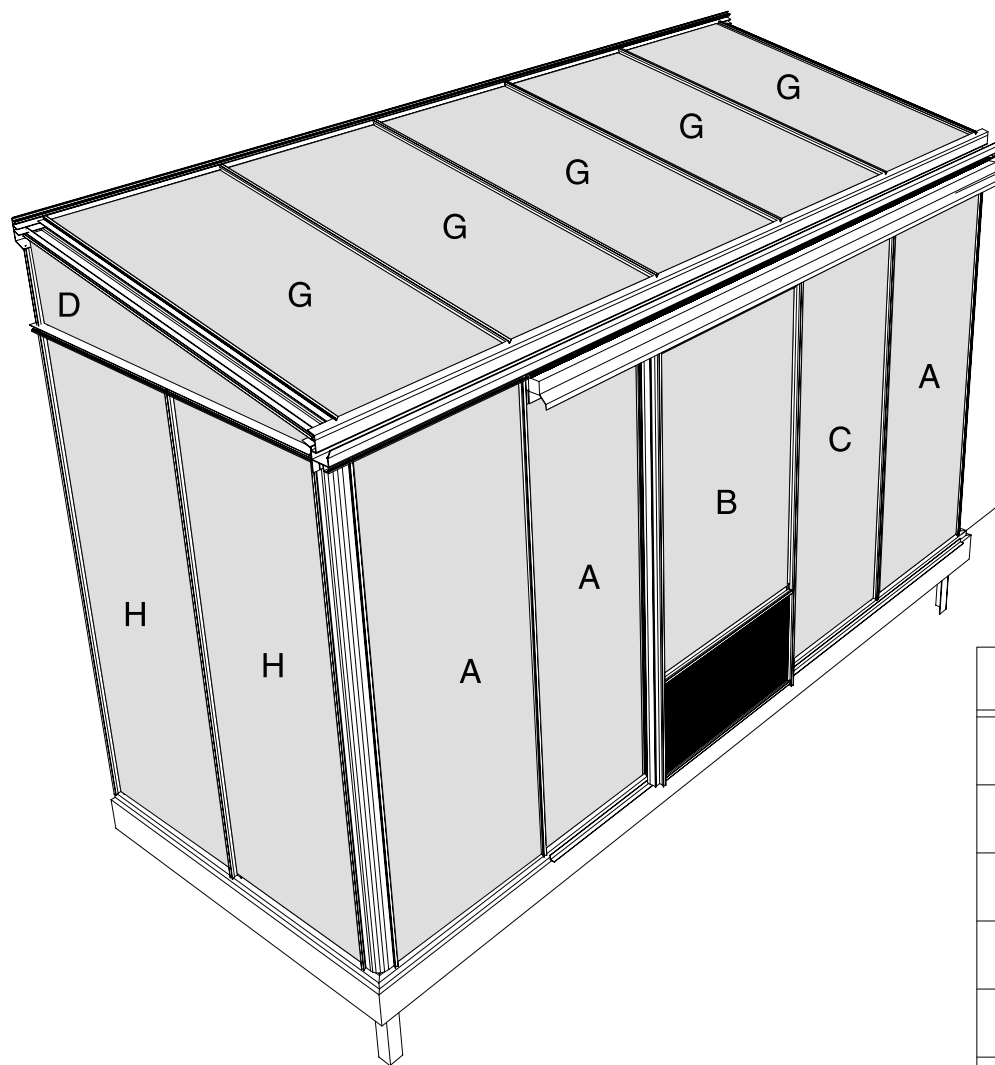
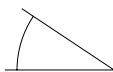




1,18m

11

25



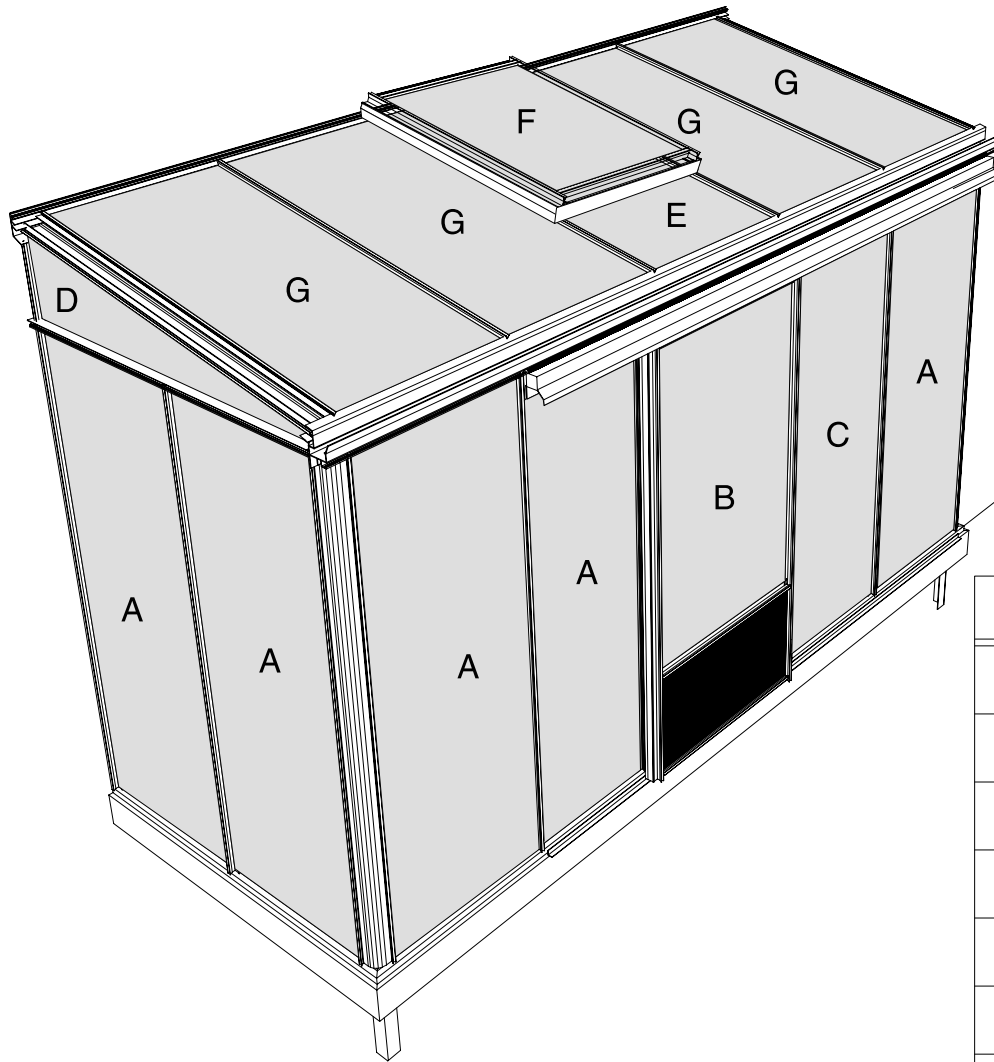
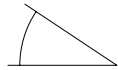
A = 1633

□
B = 1833

	118	11	118	25
TYPE	1633	1833	1633	1833
A	1650 x 730	1850 x 730	1650 x 730	1850 x 730
B	1250 x 730	1450 x 730	1250 x 730	1450 x 730
C	1650 x 570	1850 x 570	1650 x 570	1850 x 570
D	1110 x 320 x 20	1110 x 320 x 20	1110 x 485 x 20	1110 x 485 x 20
G	1184 x 730	1184 x 730	1250 x 730	1250 x 730
H	1650 x 540	1650 x 540	1650 x 540	1650 x 540

1,56m

11 25



A = 1633
 □
 B = 1833

	156	11	156	25
TYPE	1633	1833	1633	1833
A	1650 x 730	1850 x 730	1650 x 730	1850 x 730
B	1250 x 730	1450 x 730	1250 x 730	1450 x 730
C	1650 x 573	1850 x 573	1650 x 573	1850 x 573
D	1480 x 330 x 15	1480 x 330 x 15	1480 x 650 x 15	1480 x 650 x 15
E	720 x 730	720 x 730	825 x 730	825 x 730
F	825 x 730	825 x 730	825 x 730	825 x 730
G	1545 x 730	1545 x 730	1545 x 730	1545 x 730

